

Strainers

H

Basket Strainers.....102-103	Navy Pump Strainers.....108
Raw Water Strainers.....104	Scoop Strainers.....108
Low Profile Intake Strainers.....105	Round Strainers.....109
Rectangular Scoop Strainers...106-107	Intake Strainers.....109
Positive Flow Scoop Strainers106-107	Skimmers.....109
Slotted Scoop Strainers.....107	

In order to ensure proper function of products, it is strongly recommended that each part is inspected and serviced monthly. Inspection should include, but not be limited to; visible damage,excessive wear,and proper bonding. Service should include, but not be limited to; cleaning and removal of debris that may impede proper function. To avoid potential damage, all strainers should be properly winterized. Failure to properly maintain your product may result in catastrophic failure and/or loss of life.

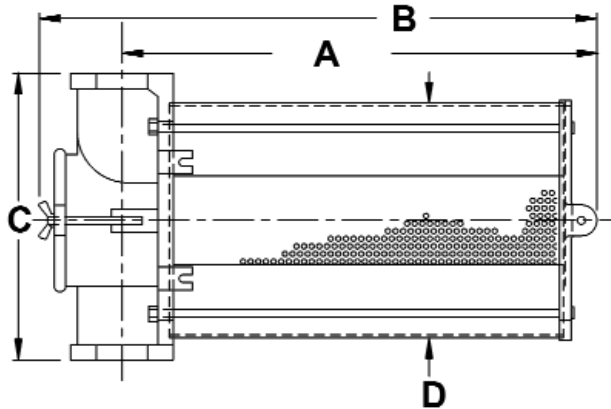
Bronze Basket Strainers

Complete w/ stainless steel & polycarbonate cylinder for easy viewing - Sold each



Bronze Part Number	Thread Size, N.P.T.	C to E (A)	Overall Len. (B)	Overall Width (C)	Dia. of Cylinder (D)	Weight, lbs.
00isb50	1/2"	7-1/2"	9-5/8"	4-3/8"	3-1/2"	4.60
00isb75	3/4"	7-1/2"	9-5/8"	4-3/8"	3-1/2"	4.60
00isb100	1"	8"	10-1/4"	5-3/8"	4-1/4"	7.30
00isb125	1-1/4"	8"	10-1/2"	5-1/2"	4-1/2"	7.30
00isb150	1-1/2"	10-1/2"	12-3/4"	7-1/4"	5-1/2"	13.20
00isb200	2"	14-3/4"	18"	7-1/2"	5-3/4"	17.60
00isb250	2-1/2"	14-3/4"	18"	7-1/2"	5-3/4"	17.60

Failure to properly winterize may cause damage to strainer.



304 Stainless Steel Replacement Baskets - ISB Series - Sold each



Part Number	Use With Part Numbers	Overall Height (includes Handle)	Diameter of Basket	Height of Basket
70isbwsb50	00isb50	7-3/4"	1-11/16"	6-1/4"
70isbwsb75	00isb75	7-3/4"	1-11/16"	6-1/4"
70isbwsb100	00isb100	8"	2-7/16"	5-7/8"
70isbwsb125	00isb125	8-5/16"	2-7/16"	6-3/16"
70isbwsb150	00isb150	11"	3-3/16"	8-5/16"
70isbwsb200	00isb200	15-3/4"	3-3/16"	12-3/8"
70isbwsb250	00isb250	15-3/4"	3-3/16"	12-3/8"

Replacement Parts for Basket Strainers

Cover Casting - Sold each

Part Number	Use With Part Numbers
00isbwsc050	00isb50
00isbwsc075	00isb75
00isbwsc100	00isb100
00isbwsc125	00isb125
00isbwsc150	00isb150
00isbwsc200	00isb200
00isbwsc250	00isb250

Bottom Casting - Sold each

Part Number	Use With Part Numbers
00isbwsbc50	00isb50
00isbwsbc75	00isb75
00isbwsbc100	00isb100
00isbwsbc125	00isb125
00isbwsbc150	00isb150
00isbwsbc200	00isb200
00isbwsbc250	00isb250

Cylinder Bolt - Complete w/ wing nut & washer - Sold each

Part Number	Use With Part Numbers
00isbwscbol150	00isb50
00isbwscbol175	00isb75
00isbwscbol1100	00isb100
00isbwscbol1125	00isb125
00isbwscbol1150	00isb150
00isbwscbol1200	00isb200
00isbwscbol1250	00isb250

Cylinder Gasket - Sold each

Part Number	Use With Part Numbers
c0isbwscgc50	00isb50
c0isbwscgc75	00isb75
c0isbwscgc100	00isb100
c0isbwscgc125	00isb125
c0isbwscgc150	00isb150
c0isbwscgc200	00isb200
c0isbwscgc250	00isb250

Top Casting - Sold each

Part Number	Use With Part Numbers
00isbwstc50	00isb50
00isbwstc75	00isb75
00isbwstc100	00isb100
00isbwstc125	00isb125
00isbwstc150	00isb150
00isbwstc200	00isb200
00isbwstc250	00isb250

Cylinder - Sold each

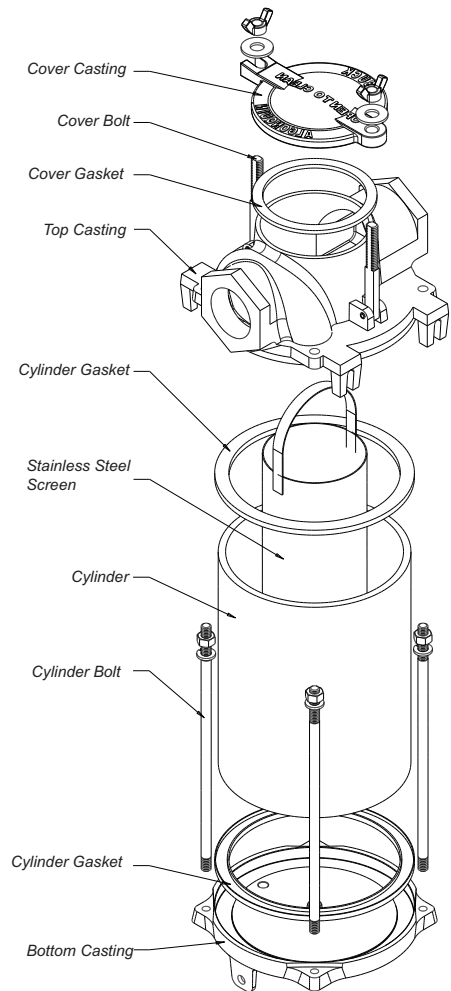
Part Number	Use With Part Numbers
d0isbwsc50	00isb50
d0isbwsc75	00isb75
d0isbwsc100	00isb100
d0isbwsc125	00isb125
d0isbwsc150	00isb150
d0isbwsc200	00isb200
d0isbwsc250	00isb250

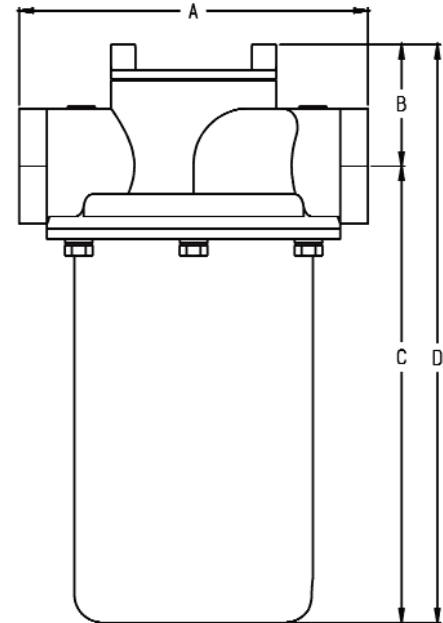
Cover Bolt - Complete w/ wing nut & washer - Sold each

Part Number	Use With Part Numbers
00isbwscb50	00isb50
00isbwscb75	00isb75
00isbwscb100	00isb100
00isbwscb125	00isb125
00isbwscb150	00isb150
00isbwscb200	00isb200
00isbwscb250	00isb250

Cover Gasket - Sold each

Part Number	Use With Part Numbers
c0isbwscg50	00isb50
c0isbwscg75	00isb75
c0isbwscg100	00isb100
c0isbwscg125	00isb125
c0isbwscg150	00isb150
c0isbwscg200	00isb200
c0isbwscg250	00isb250





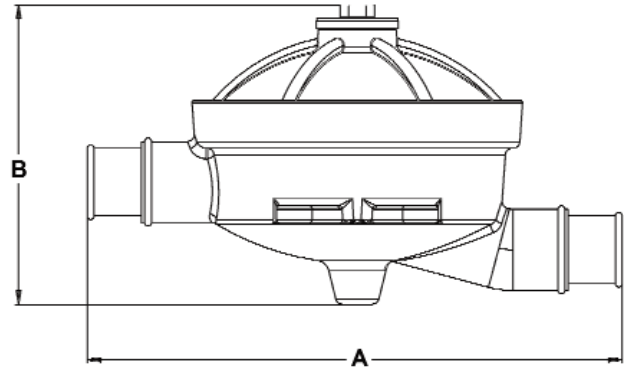
Raw Water Strainers

Complete w/ stainless steel basket & polycarbonatc cylinder for easy viewing - Sold each

- 316 Stainless Steel or 85-5-5-5 Red Brass
- Polycarbonatc Globe
- Drain Plug
- Mounting Bracket

Bronze Part Number	Stainless Steel Part Number	Thread Size, N.P.T.	Overall Width (A)	Center to Top (B)	Center to Bottom (C)	Overall Height (D)	Weight, lbs.
00rws75	70rws75	3/4"	5-1/2"	2"	5-1/2"	7-1/2"	5.50
00rws100	70rws100	1"	5-1/2"	2"	5-1/2"	7-1/2"	5.30
00rws125	70rws125	1-1/4"	6-1/2"	2-1/4"	8-1/4"	10-1/2"	6.70
00rws150	70rws150	1-1/2"	6-1/2"	2-1/4"	8-1/4"	10-1/2"	6.50
00rws200	70rws200	2"	8"	2-5/8"	13-7/8"	11-1/4"	12.20
00rws250	70rws250	2-1/2"	8"	2-5/8"	13-7/8"	11-1/4"	12.00

Failure to properly winterize may cause damage to strainer.



Bronze Intake Water Strainers - Low Profile - Sold each

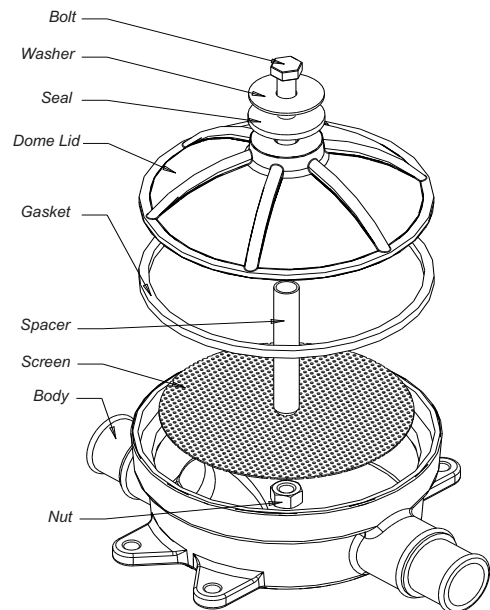
Part Number	Overall Length (A)	Overall Height (B)	Hose Size	Tapped N.P.T.	Outside Diameter	Weight, lbs.
00iws1215dome	10-1/8"	5-7/16"	1-1/4" & 1-1/2"	3/4"	6-1/8"	6.55
00iws150dome	8-1/8"	5-7/16"	1-1/2"	1"	6-1/8"	6.40
00iws200dome	10-1/4"	6-7/8"	2"	N/A	6-1/8"	8.45

Failure to properly winterize may cause damage to strainer.

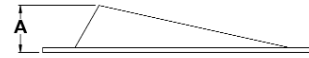
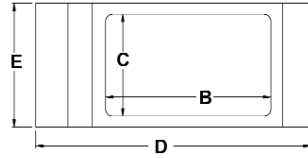
Kit Replacement Parts for Low Profile Intake Water Strainers

IWS Part Kit - Part kit includes a dome lid, lid gasket, spacer, o-ring, washer, center bolt & nut - Sold complete

Part Number	Use With Part Numbers
d0iws1215kit	00iws1215dome & 00iws150dome
d0iws200kit	00iws200dome



STRAINERS

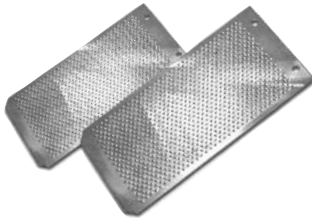


Rectangular Scoop Strainers - Slide Out Screens

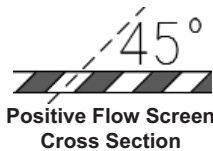
Complete w/ brass or stainless steel perforated screens - Sold each

Part Number Bronze Screen	Part Number Stainless Screen	Max Thru Hull	A	B	C	D	E	Weight, lbs.
2349	2349sp	1-1/4"	1-1/16"	3-3/8"	2-1/8"	6-5/8"	3-3/4"	1.40
00rss655p	00rss655sp	2"	1-3/4"	5"	3-1/16"	10-5/16"	4-5/8"	3.05
00rss1100p	00rss110sp	3"	2-1/8"	9"	4-3/16"	12-3/4"	5-7/8"	4.55
2352	2352sp	4"	2-3/16"	9-7/16"	5-3/8"	13-15/16"	7-1/16"	6.40
2353	n/a	6"	3-11/16"	15-1/2"	8-1/16"	21-1/2"	10-13/32"	21.05

Replacement Screens for Rectangular Scoop Strainers - Slide Out Screens - Sold each



Part Number Brass Screen	Part Number Stainless Screen	Overall Width	Overall Length	Weight, lbs.
2349s	2349sps	2-7/16"	4-3/8"	.30
00rss655ps	70rss65sps	3-1/2"	7-3/16"	.50
00rss110ps	70rss11sps	4-3/4"	10-1/4"	.95
2352s	2352sps	6"	11-5/16"	1.25
2353s	n/a	8-11/16"	16-3/4"	2.80

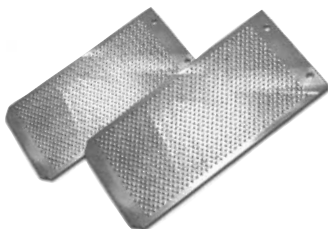


Positive Flow* Rectangular Scoop Strainers - Slide Out Screens - Complete w/ brass positive flow* screens - Sold each

Part Number	Max Thru Hull	A	B	C	D	E	Weight, lbs.
2349pf	1-1/4"	1-1/16"	3-3/8"	2-1/8"	6-5/8"	3-3/4"	1.80
00rss655pf	2"	1-3/4"	5"	3-1/16"	10-5/16"	4-5/8"	3.10
00rss110pf	3"	2-1/8"	9"	4-3/16"	12-3/4"	5-7/8"	4.50
2352pf	4"	2-3/16"	9-7/16"	5-3/8"	13-15/16"	7-1/16"	6.50
2355	4"	3-1/2"	15-5/8"	6-1/8"	21-1/2"	8-1/2"	21.10
2353pf	6"	3-11/16"	15-1/2"	8-1/16"	21-1/2"	10-13/32"	21.26

*Holes are drilled 1/8" on a 45 degree angle.

Replacement Screens for Positive Flow* Rectangular Scoop Strainers - Slide Out Screens - Sold each

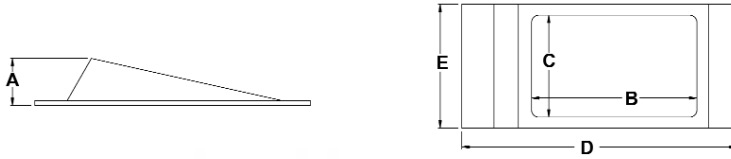


Part Number	Overall Width	Overall Length	Weight, lbs.
2349pfs	2-7/16"	4-3/8"	.30
00rss655pfs	3-1/2"	7-3/16"	.50
00rss11pfs	4-3/4"	10-1/4"	.95
2352spf	6"	11-5/16"	1.25
2355pfs	6-7/8"	17"	2.00
2353spfbars	8-11/16"	16-3/4"	2.80

*Holes are drilled 1/8" on a 45 degree angle.

H

STRAINERS



Rectangular Scoop Strainers - Surface Mount Screens

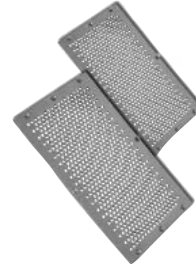
Complete w/ stainless steel perforated screens - Sold each

Part Number	Max Thru Hull	A	B	C	D	E	Weight, lbs.
00rss650p	2"	1-3/4"	5-9/16"	3"	10"	4-1/2"	2.70
00rss1000p	3"	2"	8-3/8"	4-1/2"	13-7/8"	6"	4.20



Replacement Screens for Rectangular Scoop Strainers - Surface Mount Screens

Part Number	Overall Width	Overall Length	Weight, lbs.
00rss650ps	4-1/8"	6-1/2"	.40
00rss100ps	5-1/2"	9-1/2"	.70



Positive Flow* Rectangular Scoop Strainers

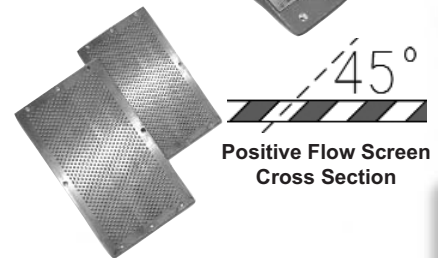
Surface Mount Screens - Complete w/ brass positive flow screens
Sold each

Part Number	Max Thru Hull	A	B	C	D	E	Weight, lbs.
00rss100pf	3"	2"	8-3/8"	4-1/2"	13-7/8"	6"	4.20



Replacement Screens for Positive Flow* Rectangular Scoop Strainers - Surface Mount Screens

Part Number	Overall Width	Overall Length	Weight, lbs.
00rss100pfs	5-1/2"	9-1/2"	.70

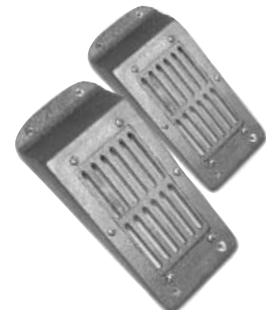


*Holes are drilled 1/8" on a 45 degree angle.

Rectangular Scoop Strainers - Surface Mount Slotted Screens

Complete w/ cast bronze slotted screens - Sold each

Part Number	Max Thru Hull	A	B	C	D	E	Weight, lbs.
00rss650s	2"	1-3/4"	5-9/16"	3"	10"	4-1/2"	2.70
00rss1000s	3"	2"	8-3/8"	4-1/2"	13-7/8"	6"	4.20



Replacement Screens for Rectangular Scoop Strainers - Surface Mount Slotted Screens

Part Number	Overall Width	Overall Length	Weight, lbs.
00rss650ss	4-1/8"	6-1/2"	1.00
00rss100ss	5-1/2"	9-1/2"	2.00



STRAINERS



Bronze Navy Pump Strainers

Complete w/ cast bronze screens - Sold each

Part Number	Thread Size, N.P.T.	Overall Width	Overall Height	Overall Length	Weight, lbs.
00nps100	1"	2-1/2"	2"	4-3/4"	2.00
00nps125	1-1/4"	2-1/2"	2"	4-3/4"	2.00
00nps150	1-1/2"	3-1/2"	2"	5"	3.00
00nps200	2"	3-1/2"	2"	5"	3.00

Aluminum Navy Pump Strainers

Complete w/ cast aluminum screens - Sold each

Part Number	Thread Size, N.P.T.	Overall Width	Overall Height	Overall Length	Weight, lbs.
20npsb100	1"	2-1/2"	2"	4-3/4"	.75
20npsb125	1-1/4"	2-1/2"	2"	4-3/4"	.75
20npsb150	1-1/2"	3-1/2"	2"	5"	1.50
20npsb200	2"	3-1/2"	2"	5"	1.50

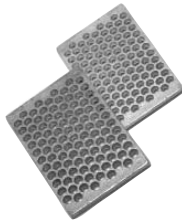
Replacement Screens for Navy Pump Strainers

Bronze Screen - Sold each

Part Number	Use With Part Numbers	Weight, lbs.
00nps100c	00nps100 & 00nps125	.40
00nps150c	00nps150 & 00nps200	.90

Aluminum Screen - Sold each

Part Number	Use With Part Numbers	Weight, lbs.
20npsb100c	20nps100 & 20nps125	.15
20npsb150c	20nps150 & 20nps200	.20

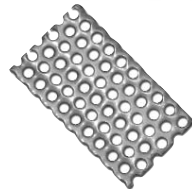


Bronze Navy Pump Strainer - w/ Hose End

Complete w/stainless steel screen - Sold each

Part Number	Hose Size	Overall Width	Overall Height	Overall Length	Weight, lbs.
00nps63h	1"	1-1/2"	1-3/16"	2-1/2"	.40

Replacement Screens for Navy Pump Strainers - w/ Hose End



Stainless Steel Screen - Sold each

Part Number	Use With Part Number	Weight, lbs.
00nps63hc	00nps63h	.10

Bronze Scoop Strainers - Sold each



Part Number	Outside Width	Overall Length	Max Thru Hull	C.S. Screw Size	Weight, lbs.
00ss450	3"	4-1/4"	1/2"	#6	.65
00ss500	3-1/4"	5"	3/4"	#8	.75
00ss600	4"	6"	1"	#8	1.00
00ss650	4-1/4"	6-1/2"	1-1/4"	#8	1.45
00ss850	5-1/4"	8-1/8"	1-1/2"	#10	2.80
00ss1050	8"	13-1/8"	4"	1/4"	6.40
00ss1100	7-1/2"	11"	3"	1/4"	4.60

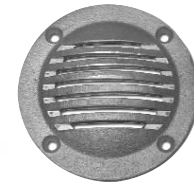
Bronze Round Strainers - Sold each

Part Number	Outside Diameter	Max Thru Hull	C.S. Screw Size	Weight, lbs.
00sr350	3-1/2"	3/4"	#6	.40
00sr400	4"	1"	#8	.55
00sr500	5"	1-1/2"	#8	.65
00sr600	6"	2-1/2"	#8	1.00
00sr800	8"	3"	#10	2.35



Bronze Round Strainers - Slotted - Sold each

Part Number	Outside Diameter	Max Thru Hull	C.S. Screw Size	Weight, lbs.
00sr400s	4"	1"	#8	.55



Bronze Intake Strainers - Web Base - Thru Hull Style

Complete w/ flange nut - Sold each

Part Number	Thread Size, N.P.S.	Stem Length	Base Width	Base Length	C.S. Screw Size	Weight, lbs.
00is50	1/2"	2-1/2"	2-3/4"	3-3/4"	#8	.80
00is75	3/4"	2-1/2"	2-3/4"	3-3/4"	#8	.95
00is100	1"	2-1/2"	2-3/4"	3-3/4"	#8	1.05



Bronze Intake Strainers - Oval Base - Thru Hull Style

Complete w/ flange nut - Sold each

Part Number	Thread Size, N.P.S.	Stem Length	Base Width	Base Length	C.S. Screw Size	Weight, lbs.
00is75L	3/4"	3-1/4"	2-3/8"	3-1/8"	#8	.90
00is100L	1"	3-1/2"	3-1/4"	4-1/4"	#8	1.20
00is125	1-1/4"	3"	3-7/8"	5-3/4"	#10	2.34
00is150	1-1/2"	3-1/2"	3-7/8"	5-3/4"	#10	2.80
00is200	2"	3-1/2"	4"	6"	#10	3.70



Strainers and Skimmers



Figure 1



Figure 2



Figure 3



Figure 4



Figure 5

Part Number* Zinc Plated Steel (Fig. 1)	Part Number 304 Stainless Steel (Fig. 1)	Part Number Zinc Plated Steel (Fig. 2)	Part Number Zinc Plated Steel (Fig. 3)	Part Number Zinc Plated Steel (Fig. 4)	Part Number Black Polyethylene (Fig. 5)	Thread Size, N.P.T.
rhs20	rrhs20	rss20	dst20	dsb20	60tss20	1-1/2"
rhs25	rrhs25	rss25	dst25	dsb25	60tss25	2"
rhs30	n/a	rss30	n/a	n/a	n/a	2-1/2"
rhs35	rrhs35	rss35	dst35	dsb35	60tss35	3"
rhs40	rrhs40	rss40	n/a	n/a	n/a	4"
rhs50	n/a	n/a	n/a	n/a	n/a	5"
rhs100	n/a	n/a	n/a	n/a	n/a	10"
rhs120	n/a	n/a	n/a	n/a	n/a	12"

*Also available in 2-1/2" NST. The part number is rhs3075