

Plumbing Fittings

E

Pipe to Hose Adapters.....	56	Crosses.....	62
Elbow Pipe to Hose Adapters.....	57	Coupling Reducers.....	63
Hose to Hose Adapters.....	58	Hex Bushings.....	63
Elbow Hose to Hose Adapters.....	58	Close Nipples.....	64
Hose Menders.....	58	Long Nipples.....	64
Brass Male Inserts.....	59	Plugs.....	65
Brass Female Inserts.....	59	“Tuff-Lite” Hose Menders.....	65
King Combination Nipples.....	59	“Tuff-Lite” Hose Adapters.....	66
Street Elbows.....	60	“Tuff-Lite” Elbow Hose Adapters.....	66
Elbows.....	61-62	“Tuff-Lite” Tees.....	67
Couplings.....	62	Vented Loops.....	67
Tees.....	62	Sump Box Pick Up.....	67

In order to ensure proper function of products, it is strongly recommended that each part is inspected and serviced monthly. Inspection should include, but not be limited to, visible damage, excessive wear, and proper bonding. Failure to properly maintain your product may result in catastrophic failure and/or loss of life.

Bronze Pipe to Hose Adapters

Cast w/ hex for easy installation - Sold each



Part Number	Thread Size N.P.T.	Hose I. D.	Overall Length	Weight, lbs.
00hn50	1/2"	1/2"	2-7/32"	.15
00hn75	3/4"	3/4"	2-1/4"	.20
00hn100	1"	1"	2-5/8"	.40
00hn125	1-1/4"	1-1/4"	3"	.75
00hn150	1-1/2"	1-1/2"	3-1/16"	1.10
00hn200	2"	2"	3-1/16"	1.25
00hn250	2-1/2"	2-1/2"	3-5/8"	2.10
00hn300	3"	3"	3-7/8"	3.15
00hn400	4"	4"	5"	8.00

Bronze Pipe to Hose Adapters - Combination

Cast w/ hex for easy installation - Sold each

Part Number	Thread Size N.P.T.	Hose I. D.	Overall Length	Weight, lbs.
00hn505062	1/2"	5/8"	2-1/4"	.15
00hn5075	1/2"	3/4"	2-1/4"	.15
00hn75625	3/4"	5/8"	2-3/8"	.20
00hn7550	3/4"	1/2"	2"	.30
00hn75100	3/4"	1"	2-5/8"	.40
00hn751125	3/4"	1-1/8"	2-5/8"	.35
00hn100113	1"	1-1/8"	2-3/4"	.70
00hn100125	1"	1-1/4"	3"	.70
00hn1505	1-1/4"	1-1/2"	3-1/16"	1.10
00hn150175	1-1/2"	1-3/4"	3-1/16"	1.75
00hn150200	1-1/2"	2"	3-1/16"	1.75
00hn200175	2"	1-3/4"	3-1/16"	1.75
00hn200225	2"	2-1/4"	3"	1.25
00hn250300	2-1/2"	3"	3-7/8"	3.00

316 Stainless Steel Pipe to Hose Adapters

Cast w/ hex for easy installation - Sold each



Part Number	Thread Size N.P.T.	Hose I. D.	Overall Length	Weight, lbs.
70hn025	1/4"	1/4"	1-13/16"	.05
70hn037	3/8"	3/8"	2"	.10
70hn050	1/2"	1/2"	2-1/2"	.17
70hn075	3/4"	3/4"	2-9/16"	.30
70hn100	1"	1"	3"	.45
70hn125	1-1/4"	1-1/4"	3-1/2"	.60
70hn150	1-1/2"	1-1/2"	3-1/2"	.85
70hn200	2"	2"	4"	1.35
70hn250	2-1/2"	2-1/2"	5-1/2"	2.30
70hn300	3"	3"	6"	2.85
70hn400	4"	4"	6-1/4"	5.60

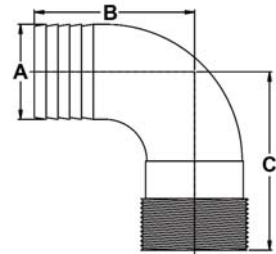
Bronze Pipe to Hose Adapters - 90 Degrees

Cast w/ hex for easy installation - Sold each

Part Number	Thread Size N.P.T.	Hose I. D. (A)	C to E (B)	C to E (C)	Weight, lbs.
00hn50e	1/2"	1/2"	2-1/8"	2-5/16"	.25
00hn75e	3/4"	3/4"	2-1/8"	2-3/8"	.35
00hn100e	1"	1"	2-1/4"	2-3/8"	.60
00hn100ecc	1"	1"	1-7/8"	1-3/4"	.70
00hn125e	1-1/4"	1-1/4"	2-11/16"	2-7/8"	.90
00hn150e	1-1/2"	1-1/2"	3-1/8"	3-3/8"	1.25
00hn200e	2"	2"	3-13/16"	3-15/16"	2.70
00hn250e	2-1/2"	2-1/2"	4-3/8"	4-3/8"	4.80
00hn300e	3"	3"	4-7/16"	4-1/8"	8.00
00hn400e	4"	4"	7-1/4"	6-1/2"	18.00



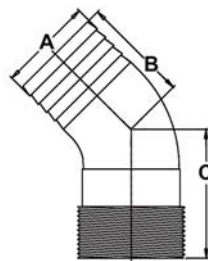
E



Bronze Pipe to Hose Adapters - 90 Degrees - Combination

Cast w/ hex for easy installation - Sold each

Part Number	Thread Size N.P.T.	Hose I. D. (A)	C to E (B)	C to E (C)	Weight, lbs.
00hn5075e	1/2"	3/4"	2-1/8"	1-3/4"	.30
00hn50562e	1/2"	5/8"	2-3/8"	3-5/16"	.30
00hn100125e	1"	1-1/4"	3-1/16"	3-1/16"	.75
00hn100125es	1"	1-1/4"	2-1/8"	2-1/4"	.75



Bronze Pipe to Hose Adapters - 45 Degrees

Cast w/ hex for easy installation - Sold each

Part Number	Thread Size N.P.T.	Hose I. D. (A)	C to E (B)	C to E (C)	Weight, lbs.
00hn20045e	2"	2"	2-1/2"	2-1/2"	2.20
00hn25045e	2-1/2"	2-1/2"	2-7/8"	2-7/8"	4.00

PLUMBING FITTINGS

Bronze Hose to Hose Adapters

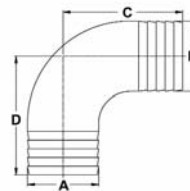
Cast part - Sold each



Part Number	Hose I. D.	Overall Length	Weight, lbs.
00hh125	1-1/4"	3-5/8"	.70
00hh150	1-1/2"	4"	1.10
00hh200	2"	4-1/2"	1.80

Bronze Hose to Hose Adapters - 90 Degrees

Cast part - Sold each



Part Number	Hose I. D. (A)	Hose I. D. (B)	C to E (C)	C to E (D)	Weight, lbs.
00hh150e	1-1/2"	1-1/2"	3-1/4"	3-1/4"	1.10
00hh250e	2-1/2"	2-1/2"	4-1/2"	4-1/2"	4.15
00hh300e	3"	3"	4-1/8"	4-1/8"	6.10

Brass Hose Menders - Sold each



Part Number	Hose I. D.
00bm15	3/16"
00bm2	1/4"
00bm25	5/16"
00bm3	3/8"

Part Number	Hose I. D.
00bm4	1/2"
00bm6	3/4"
00bm8	1"

316 Stainless Steel Hose Menders - Sold each



Part Number	Hose I. D.
70rdm6	3/4"
70rdm11	1"
70rdm16	1-1/4"
70rdm21	1-1/2"

Part Number	Hose I. D.
70rdm26	2"
70rdm36	3"
70rdm46	4"

Brass Male Inserts - Sold each

Part Number	Hose I. D.	Thread Size N. P. T.	Part Number	Hose I. D.	Thread Size N. P. T.
00bn11	1/8"	1/8"	00bn34	3/8"	1/2"
00bn151	3/16"	1/8"	00bn42	1/2"	1/4"
00bn152	3/16"	1/4"	00bn43	1/2"	3/8"
00bn21	1/4"	1/8"	00bn44	1/2"	1/2"
00bn22	1/4"	1/4"	00bn46	1/2"	3/4"
00bn23	1/4"	3/8"	00bn53	5/8"	3/8"
00bn251	5/16"	1/8"	00bn54	5/8"	1/2"
00bn252	5/16"	1/4"	00bn56	5/8"	3/4"
00bn253	5/16"	3/8"	00bn64	3/4"	1/2"
00bn31	3/8"	1/8"	00bn66	3/4"	3/4"
00bn32	3/8"	1/4"	00bn86	1"	3/4"
00bn33	3/8"	3/8"	00bn88	1"	1"


E

Brass Female Inserts - Sold each

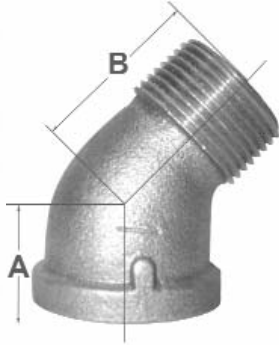
Part Number	Hose I. D.	Thread Size N. P. T.	Part Number	Hose I. D.	Thread Size N. P. T.
00bf11	1/8"	1/8"	00bf31	3/8"	1/8"
00bf21	1/4"	1/8"	00bf32	3/8"	1/4"
00bf22	1/4"	1/4"	00bf33	3/8"	3/8"
00bf251	5/16"	1/8"	00bf43	1/2"	3/8"
00bf252	5/16"	1/4"	00bf44	1/2"	1/2"



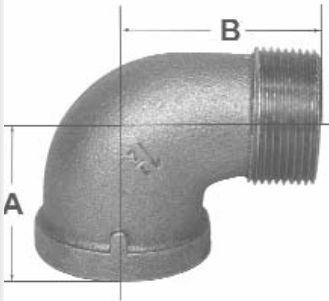
King Combination Nipples - Available in plated steel, stainless steel, red brass, & aluminum - Sold each

Part Number Plated Steel	Part Number Stainless Steel	Part Number Aluminum	Part Number Red Brass	Hose I. D.	Thread Size N. P. T.
bbstc1	70rst1	20ast1	00bst1	1/2"	1/2"
bbstc5	70rst5	20ast5	00bst5	3/4"	3/4"
bbstc10	70rst10	20ast10	00bst10	1"	1"
bbstc15	70rst15	20ast15	00bst15	1-1/4"	1-1/4"
bbstc20	70rst20	20ast20	00bst20	1-1/2"	1-1/2"
bbstc25	70rst25	20ast25	00bst25	2"	2"
bbstc30	70rst30	20ast30	00bst30	2-1/2"	2-1/2"
bbstc35	70rst35	20ast35	00bst35	3"	3"
bbstc40	70rst40	20ast40	00bst40	4"	4"
bbstc50	70rst50	20ast50	n/a	5"	5"
bbstc60	70rst60	20ast60	n/a	6"	6"
bbstc80	70rst80	n/a	n/a	8"	8"
bbstc100	n/a	n/a	n/a	10"	10"
bbstc120	n/a	n/a	n/a	12"	12"


PLUMBING FITTINGS

Bronze Street Elbows - 45 Degrees - Sold each


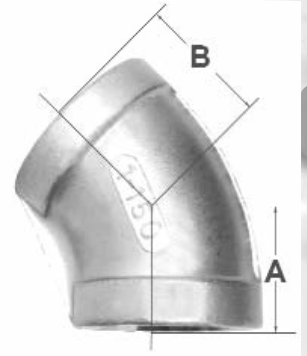
Part Number	Thread Size N. P. T.	C to E (A)	C to E (B)	Weight, lbs.
00103h011	1/8"	1/4"	7/16"	.05
00103h025	1/4"	11/32"	9/16"	.10
00103h037	3/8"	3/8"	5/8"	.10
00103h050	1/2"	29/64"	51/64"	.15
00103h075	3/4"	1/2"	9/32"	.30
00103h100	1"	39/64"	1-5/64"	.50
00103h125	1-1/4"	43/64"	1-1/4"	.75
00103h150	1-1/2"	45/64"	1-5/16"	1.00
00103h200	2"	3/4"	1-15/32"	2.05

Bronze Street Elbows - 90 Degrees - Sold each


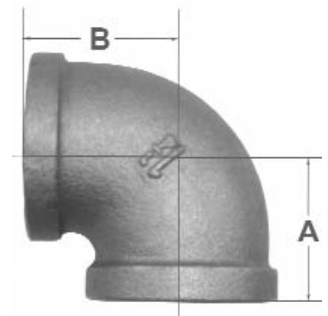
Part Number	Thread Size N. P. T.	C to E (A)	C to E (B)	Weight, lbs.
00103011	1/8"	35/64"	59/64"	.05
00103025	1/4"	23/32"	1-7/64"	.10
00103037	3/8"	53/64"	1-1/4"	.15
00103050	1/2"	1-1/32"	1-1/2"	.20
00103075	3/4"	1-3/16"	1-21/32"	.35
00103100	1"	1-7/16"	1-63/64"	.65
00103125	1-1/4"	1-23/32"	2-1/4"	1.10
00103150	1-1/2"	1-7/8"	2-29/64"	1.15
00103200	2"	2-9/64"	2-63/64"	2.10
00103250	2-1/2"	2-3/4"	3-59/64"	3.80
00103300	3"	3-7/64"	4-29/64"	6.40
00103400	4"	4"	6"	11.95

Bronze Elbows - 45 Degrees - Sold each

Part Number	Thread Size N. P. T.	C to E (A)	C to E (B)	Weight, lbs.
00102011	1/8"	7/16"	7/16"	.05
00102025	1/4"	35/64"	35/64"	.10
00102037	3/8"	5/8"	5/8"	.10
00102050	1/2"	51/64"	51/64"	.20
00102075	3/4"	29/32"	29/32"	.35
00102100	1"	1-5/64"	1-5/64"	.55
00102125	1-1/4"	1-1/4"	1-1/4"	.90
00102150	1-1/2"	1-5/16"	1-5/16"	1.10
00102200	2"	1-15/32"	1-15/32"	1.55
00102250	2-1/2"	2"	2"	3.30
00102300	3"	2-1/4"	2-1/4"	4.90
00102400	4"	2-1/2"	2-1/2"	8.00


Bronze Elbows - 90 Degrees - Sold each

Part Number	Thread Size N. P. T.	C to E (A)	C to E (B)	Weight, lbs.
00101011	1/8"	35/64"	35/64"	.10
00101025	1/4"	23/32"	23/32"	.10
00101037	3/8"	53/64"	53/64"	.15
00101050	1/2"	1-1/32"	1-1/32"	.25
00101075	3/4"	1-3/16"	1-3/16"	.35
00101100	1"	1-7/16"	1-7/16"	.60
00101125	1-1/4"	1-23/32"	1-23/32"	.95
00101150	1-1/2"	1-7/8"	1-7/8"	1.35
00101200	2"	2-9/64"	2-9/64"	2.35
00101250	2-1/2"	2-3/4"	2-3/4"	3.80
00101300	3"	3-7/64"	3-7/64"	5.20



Bronze Couplings - Sold each

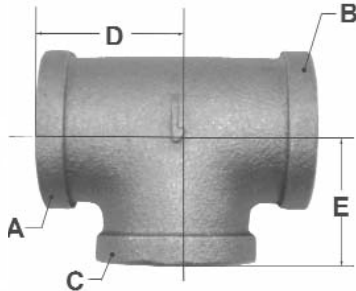


Part Number	Thread Size N. P. T.	Overall Length	Weight, lbs.
00111011	1/8"	51/64"	.05
00111025	1/4"	51/64"	.10
00111037	3/8"	1-3/64"	.15
001110050	1/2"	1-19/64"	.20
00111075	3/4"	1-7/16"	.30

Part Number	Thread Size N. P. T.	Overall Length	Weight, lbs.
00111100	1"	1-11/16"	.45
00111125	1-1/4"	1-7/8"	.80
00111150	1-1/2"	1-59/64"	1.00
00111200	2"	2-13/64"	1.55
00111300	3"	3-3/16"	3.60

Stainless steel may be available upon request.

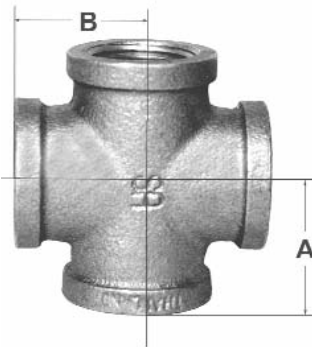
Bronze Tees - Sold each



Part Number	Thread Size N. P. T. (A)	Thread Size N. P. T. (B)	Thread Size N. P. T. (C)	C to E (D)	C to E (E)	Weight, lbs.
00106011t	1/8"	1/8"	1/8"	35/64"	35/64"	.10
00106025t	1/4"	1/4"	1/4"	23/32"	23/32"	.15
00106037t	3/8"	3/8"	3/8"	53/64"	53/64"	.25
00103050t	1/2"	1/2"	1/2"	1-1/32"	1-1/32"	.30
00106075t	3/4"	3/4"	3/4"	31/64"	31/64"	.50
00106100t	1"	1"	1"	27/32"	27/32"	.85
00106125t	1-1/4"	1-1/4"	1-1/4"	1-3/16"	1-3/16"	1.20
00106150t	1-1/2"	1-1/2"	1-1/2"	1-7/8"	1-7/8"	1.70
00106200t	2"	2"	2"	2-9/64"	2-9/64"	2.70
001062015t	2"	2"	1-1/2"	1-7/8"	2-1/8"	2.50
00106252520t	2-1/2"	2-1/2"	2"	2-3/8"	2-5/8"	4.25
00106250t	2-1/2"	2-1/2"	2-1/2"	2-3/4"	2-3/4"	
00106300t	3"	3"	3"	3-7/64"	3-7/64"	6.70
00106400t	4"	4"	4"	4"	4"	11.30

Stainless steel may be available upon request.

Bronze Crosses - Sold each



Part Number	Thread Size N. P. T.	C to E (A)	C to E (B)	Weight, lbs.
00110011	1/8"	5/8"	5/8"	.15
00110025	1/4"	23/32"	23/32"	.20
00110037	3/8"	53/64"	53/64"	.30
00110050	1/2"	1-1/32"	1-1/32"	.40
00110075	3/4"	1-3/16"	1-3/16"	.60
00110100	1"	1-3/16"	1-3/16"	1.15
00110125	1-1/4"	1-23/32"	1-23/32"	1.70
00110150	1-1/2"	1-7/8"	1-7/8"	2.00
00110200	2"	2-9/64"	2-9/64"	2.50

Stainless steel may be available upon request.

E

Bronze Coupling Reducers - Sold each

Part Number	Thread Size N. P. T.	Overall Length	Weight, lbs.
00112011	1/4" x 1/8"	7/8"	.10
00112025	3/8" x 1/4"	59/64"	.10
00112037	1/2" x 3/8"	1-11/64"	.15
00112050	3/4" x 1/2"	1-23/64"	.25
00112075	1" x 3/4"	1-9/16"	.45
00112100	1-1/4" x 1"	1-49/64"	.65
00112125	1-1/2" x 1-1/4"	1-51/64"	.85

Part Number	Thread Size N. P. T.	Overall Length	Weight, lbs.
00112200125	2" x 1-1/4"	2-1/32"	1.35
00112150	2" x 1-1/2"	2-1/32"	1.75
00112200	2-1/2" x 2"	3-5/32"	2.35
00112300200	3" x 2"	3-45/64"	2.40
00112300250	3" x 2-1/2"	3-45/64"	3.80
00112400200	4" x 2"	4-3/8"	5.35
00112300	4" x 3"	4-3/8"	6.10


E

Bronze Hex Bushings - Sold each

Part Number	Thread Size N. P. T.	Overall Length	Weight, lbs.
00114025011	1/4" x 1/8"	37/64"	.05
00114037011	3/8" x 1/8"	41/64"	.05
00114037025	3/8" x 1/4"	41/64"	.05
00114050011	1/2" x 1/8"	3/4"	.10
00114050025	1/2" x 1/4"	3/4"	.10
00114050037	1/2" x 3/8"	3/4"	.10
00114075011	3/4" x 1/8"	7/8"	.15
00114075025	3/4" x 1/4"	55/64"	.15
00114075037	3/4" x 3/8"	55/64"	.15
00114075050	3/4" x 1/2"	55/64"	.15
00114100025	1" x 1/4"	1-3/64"	.30
00114100037	1" x 3/8"	1-3/64"	.25
00114100050	1" x 1/2"	1"	.25
00114100075	1" x 3/4"	1"	.25
00114125025	1-1/4" x 1/4"	1-7/32"	.35
00114125037	1-1/4" x 3/8"	1-3/16"	.30
00114125050	1-1/4" x 1/2"	1-9/64"	.50
00114125075	1-1/4" x 3/4"	1-5/64"	.45
00114125100	1-1/4" x 1"	1-5/64"	.35
00114150025	1-1/2" x 1/4"	1-3/32"	.30

Part Number	Thread Size N. P. T.	Overall Length	Weight, lbs.
00114150037	1-1/2" x 3/8"	1-23/64"	.45
00114150050	1-1/2" x 1/2"	1-13/64"	.50
00114150075	1-1/2" x 3/4"	1-13/64"	.50
00114150100	1-1/2" x 1"	1-9/64"	.60
00114150125	1-1/2" x 1-1/4"	1-9/64"	.40
00114200025	2" x 1/4"	1-17/64"	1.15
00114200050	2" x 1/2"	1-17/64"	1.10
00114200075	2" x 3/4"	1-17/64"	.75
00114200100	2" x 1"	1-19/64"	.90
00114200125	2" x 1-1/4"	1-7/32"	1.00
00114200150	2" x 1-1/2"	1-7/32"	.75
00114250100	2-1/2" x 1"	1-17/32"	1.20
00114250150	2-1/2" x 1-1/2"	1-1/2"	1.15
00114250200	2-1/2" x 2"	1-7/16"	1.10
00114300150	3" x 1-1/2"	1-39/64"	2.45
00114300200	3" x 2"	1-39/64"	1.80
00114300250	3" x 2-1/2"	1-17/32"	2.10
00114400200	4" x 2"	1-3/4"	2.90
00114400300	4" x 3"	1-7/8"	3.60





Brass Close Nipples - Sold each

Part Number	Thread Size N. P. T.	Overall Length	Pipe O.D.	Pipe I. D.	Wall Thickness	Weight, lbs.
00011cn	1/8"	3/4"	.405"	.281"	.062"	.05
00025cn	1/4"	7/8"	.540"	.376"	.082"	.05
00037cn	3/8"	1"	.675"	.495"	.090"	.05
00050cn	1/2"	1-1/8"	.840"	.626"	.107"	.05
00075cn	3/4"	1-3/8"	1.050"	.822"	.114"	.10
00100cn	1"	1-1/2"	1.315"	1.063"	.126"	.15
00125cn	1-1/4"	1-5/8"	1.660"	1.368"	.146"	.25
00150cn	1-1/2"	1-3/4"	1.900"	1.600"	.150"	.35
00200cn	2"	2"	2.375"	2.063"	.156"	.55
00250cn	2-1/2"	2-1/2"	2.875"	2.501"	.187"	.90
00300cn	3"	2-5/8"	3.500"	3.062"	.219"	1.35
00400cn	4"	2-7/8"	4.500"	4.000"	.250"	2.25

Brass Long Nipples - Sold each

Part Number	Thread Size N. P. T.	Overall Length	Pipe O.D.	Pipe I. D.	Wall Thickness	Weight, lbs.
00025x02Ln	1/4"	2"	.540"	.376"	.082"	.05
00025x03Ln	1/4"	3"	.540"	.376"	.082"	.10
00025x04Ln	1/4"	4"	.540"	.376"	.082"	.15
00025x05Ln	1/4"	5"	.540"	.376"	.082"	.20
00025x12Ln	1/4"	12"	.540"	.376"	.082"	.45
00050x03Ln	1/2"	3"	.840"	.626"	.107"	.20
00050x05Ln	1/2"	5"	.840"	.626"	.107"	.35
00050x06Ln	1/2"	6"	.840"	.626"	.107"	.40
00075x02Ln	3/4"	2"	1.050"	.822"	.114"	.10
00075x25Ln	3/4"	2-1/2"	1.050"	.822"	.114"	.20
00075x04Ln	3/4"	4"	1.050"	.822"	.114"	.35
00075x06Ln	3/4"	6"	1.050"	.822"	.114"	.55
00100x02Ln	1"	2"	1.315"	1.063"	.126"	.25
00100x04Ln	1"	4"	1.315"	1.063"	.126"	.50
00125x04Ln	1-1/4"	4"	1.660"	1.368"	.146"	.80
00150x04Ln	1-1/2"	4"	1.900"	1.600"	.150"	.95
00150x06Ln	1-1/2"	6"	1.900"	1.600"	.150"	1.45
00150x12Ln	1-1/2"	12"	1.900"	1.600"	.150"	2.90
00200x03Ln	2"	3"	2.375"	2.063"	.156"	.90
00200x04Ln	2"	4"	2.375"	2.063"	.156"	1.25
00200x06Ln	2"	6"	2.375"	2.063"	.156"	1.90
00200x12Ln	2"	12"	2.375"	2.063"	.156"	3.80
0025x03Ln	2-1/2"	3"	2.875"	2.501"	.187"	1.15
0025x04Ln	4"	4"	2.875"	2.501"	.187"	1.90
0025x06Ln	2-1/2"	6"	2.875"	2.501"	.187"	2.60
00300x06Ln	3"	6"	3.500"	3.062"	.219"	3.90
00400x06Ln	4"	6"	4.500"	4.000"	.250"	5.60
00400x07Ln	4"	7"	4.500"	4.000"	.250"	6.50

Other sizes may be available upon request.

E

PLUMBING FITTINGS

Bronze Solid Plugs - Square Head - Sold each

Part Number	Thread Size N. P. T.	Overall Length	Weight, lbs.
00117a011	1/8"	1/2"	.05
00117a025	1/4"	11/16"	.05
00117a037	3/8"	23/32"	.10
00117a050	1/2"	59/64"	.10
00117a075	3/4"	1"	.15
00117a100	1"	1-3/16"	.25
00117a125	1-1/4"	1-1/4"	.40
00117a150	1-1/2"	1-23/64"	.50
00117a200	2"	1-7/16"	.80


E
Bronze Cored Plugs - Square Head - Sold each

Part Number	Thread Size N. P. T.	Overall Length	Weight, lbs.
00117050	1/2"	59/64"	.05
00117075	3/4"	1"	.10
00117100	1"	1-3/16"	.15
00117125	1-1/4"	1-1/4"	.20
00117150	1-1/2"	1-11/32"	.30


"Tuff-Life" Nylon Plugs - Square Head - Sold each

Part Number	Thread Size N. P. T.	Overall Length	Part Number	Thread Size N. P. T.	Overall Length
60tps1	1/8"	5/8"	60tps6	3/4"	1"
60tps2	1/4"	3/4"	60tps8	1"	1-1/8"
60tps3	3/8"	3/4"	60tps10	1-1/4"	1-1/4"
60tps4	1/2"	7/8"			


"Tuff-Life" Nylon Hose Menders - Sold each

Part Number	Thread Size N. P. T.	Overall Length	Part Number	Thread Size N. P. T.	Overall Length
60tm2	1/4"	2-1/4"	60tm6	3/4"	2-3/8"
60tm25	5/16"	2-1/4"	60tm8	1"	2-1/4"
60tm3	3/8"	2-1/4"	60tm16	1-1/4"	3"
60tm4	1/2"	2-3/8"	60tm21	1-1/2"	3-1/2"
60tm5	5/8"	2-3/8"	60tm26	2"	4-5/8"





"Tuff-Lite" Nylon Hose Adapters

Hexed for easy installation - Sold each

Part Number	Pipe Size N.P.T.	Hose I. D.	Overall Length
60tn22	1/4"	1/4"	1-3/4"
60tn33	3/8"	3/8"	1-3/4"
60tn44	1/2"	1/2"	1-3/4"
60tn66	3/4"	3/4"	2"

Part Number	Pipe Size N.P.T.	Hose I. D.	Overall Length
60tn88	1"	1"	2"
60tn150	1-1/4"	1-1/4"	2-3/4"
60tn200	1-1/2"	1-1/2"	2-3/4"
60tn250	2"	2"	4-1/4"

"Tuff-Lite" Nylon Hose Adapters - Combination

Hexed for easy installation - Sold each

Part Number	Pipe Size N.P.T.	Hose I. D.	Overall Length
60tn21	1/8"	1/4"	1-5/8"
60tn23	3/8"	1/4"	1-3/4"
60tn24	1/2"	1/4"	1-3/4"
60tn26	3/4"	1/4"	1-7/8"
60tn28	1"	1/4"	1-7/8"
60tn252	1/4"	5/16"	1-7/8"
60tn31	1/8"	3/8"	1-3/4"
60tn32	1/4"	3/8"	1-3/4"
60tn34	1/2"	3/8"	1-7/8"
60tn36	3/4"	3/8"	1-7/8"
60tn41	1/8"	1/2"	1-3/4"
60tn42	1/4"	1/2"	1-3/4"

Part Number	Pipe Size N.P.T.	Hose I. D.	Overall Length
60tn43	3/8"	1/2"	1-3/4"
60tn46	3/4"	1/2"	1-7/8"
60tn53	3/8"	5/8"	1-3/4"
60tn54	1/2"	5/8"	1-3/4"
60tn56	3/4"	5/8"	1-7/8"
60tn63	3/8"	3/4"	1-3/4"
60tn64	1/2"	3/4"	1-7/8"
60tn68	1"	3/4"	1-7/8"
60tn86	3/4"	1"	2"
60tn158	1"	1-1/4"	2-3/8"
60tn1520	1-1/2"	1-1/4"	2-3/4"
60tn2015	1-1/4"	1-1/2"	2-5/8"



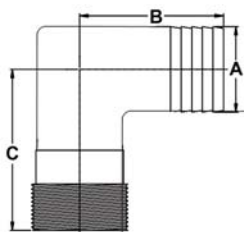
"Tuff-Lite" Nylon Elbows - 90 Degrees

Hexed for easy installation - Sold each

Part Number	Pipe Size N.P.T.	Hose I. D. (A)	C to E (B)	C to E (C)
60tLs22	1/4"	1/4"	1-1/4"	1-1/4"
60tLs33	3/8"	3/8"	1-1/4"	1-3/8"
60tLs44	1/2"	1/2"	1-1/4"	1-1/2"
60tLs66	3/4"	3/4"	1-3/8"	1-3/4"
60tLs88	1"	1"	1-3/4"	1-7/8"

"Tuff Lite" Nylon Elbows - 90 Degrees - Combination

Hexed for easy installation - Sold each



Part Number	Pipe Size N.P.T.	Hose I. D. (A)	C to E (B)	C to E (C)
60tLs21	1/8"	1/4"	1-1/4"	1-1/8"
60tLs23	3/8"	1/4"	1-1/4"	1-1/4"
60tLs31	1/8"	3/8"	1-1/4"	1-1/4"
60tLs32	1/4"	3/8"	1-1/4"	1-1/4"
60tLs34	1/2"	3/8"	1-1/8"	1-3/8"
60tLs36	3/4"	3/8"	1-1/8"	1-3/8"
60tLs42	1/4"	1/2"	1-1/4"	1-1/4"
60tLs43	3/8"	1/2"	1-1/4"	1-1/2"
60tLs46	3/4"	1/2"	1-1/4"	1-5/8"

Part Number	Pipe Size N.P.T.	Hose I. D. (A)	C to E (B)	C to E (C)
60tLs48	1/8"	1/2"	1-1/4"	1-1/2"
60tLs53	3/8"	5/8"	1-1/4"	1-5/8"
60tLs54	1/2"	5/8"	1-1/4"	1-3/4"
60tLs56	3/4"	5/8"	1-3/8"	1-3/4"
60tLs58	1"	5/8"	1-1/4"	1-3/4"
60tLs63	3/8"	3/4"	1-3/8"	1-5/8"
60tLs64	1/2"	3/4"	1-1/4"	1-5/8"
60tLs68	1"	3/4"	1-3/8"	1-3/4"
60tLs86	3/4"	1"	1-3/4"	1-3/4"

“Tuff-Lite” Nylon Tees - Sold each

Part Number	Hose I. D.
60tsss222	1/4" x 1/4" x 1/4"
60tsss333	3/8" x 3/8" x 3/8"
60tsss444	1/2" x 1/2" x 1/2"
60tsss666	3/4" x 3/4" x 3/4"



Bronze Vented Loop

Complete w/ joker valve - Sold each

Part Number	Hose I. D.	Overall Height	Overall Width	Weight, lbs.
00vL75	3/4"	2-1/2"	2-1/4"	.40



Replacement Joker Valve - Sold each

Part Number	Use with Part Number
60vL75cv	00vL75



Bronze Vented Loop

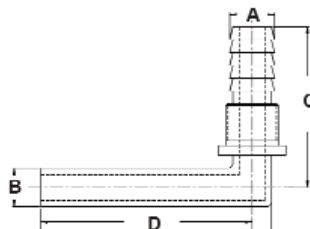
Complete w/ joker valve - Sold each

Part Number	Hose I. D.	Overall Height	Overall Width	Weight, lbs.
00vL150	1-1/2"	6-1/4"	7"	2.75



Replacement Joker Valve - Sold each

Part Number	Use with Part Number
60vL150j	00vL150



316 Stainless Steel Sump Box Pick Up

Complete w/ nut - Sold each

Part Number	Hose I. D. (A)	Tube O.D. (B)	C to E (C)	C to E (D)	Weight, lbs.
tb197781	7/8"	3/4"	3-1/8"	4-1/4"	.75



E

PLUMBING FITTINGS