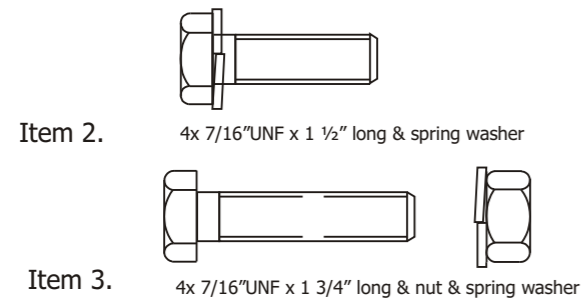
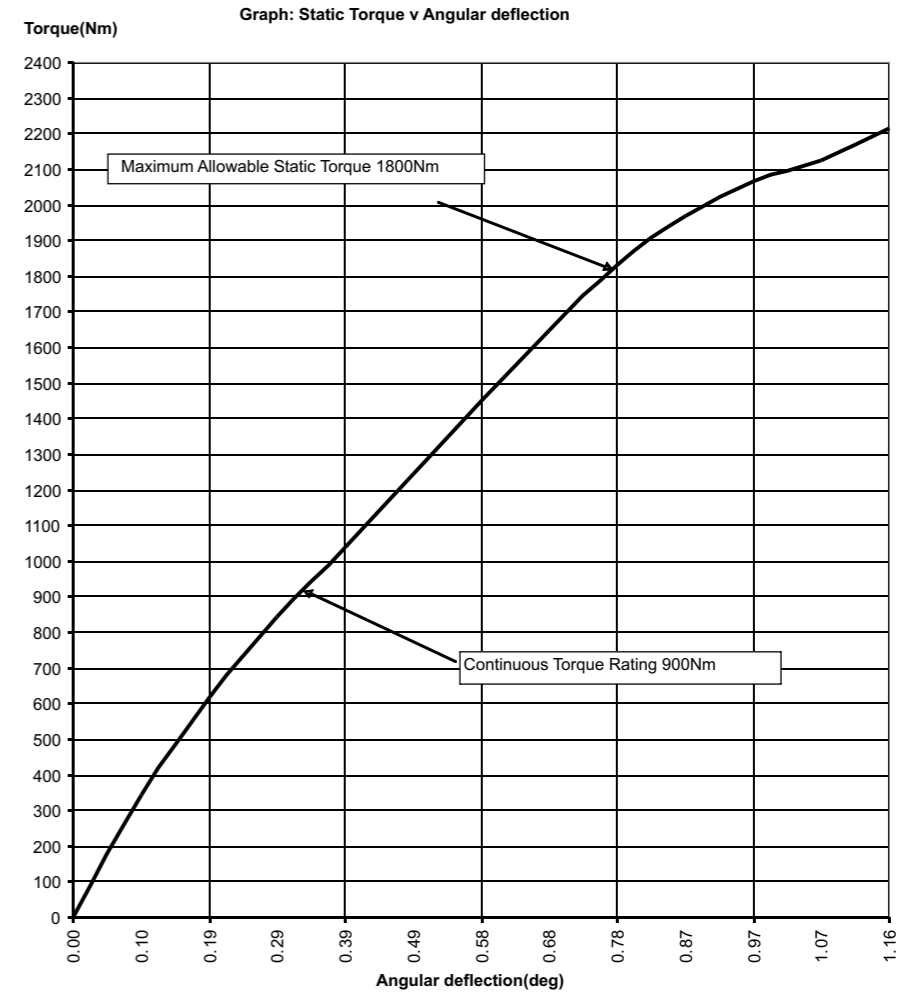


Item 1. [High Tensile, Heat Cured Polymer Disc: 150 od x 45 id x 28.6 thick]

Colour: Dark Blue SDH-D:75



IFC 4550 HT (75D) coupling ratings*:

Pleasure craft	Nm	1530
Intermediate	Nm	1350
Continuous	Nm	900

Moment of Inertia: $I (m^4)=$	0.00448
Polar Mass Moment of Inertia: $J (Nm-sec^2)=$	0.00448
Ave Torsional Stiffness $Nm/rad=$	121018

7/16"UNF hex bolts - AS 2465 Grade 5
 Bolt shear capacity 'thread' = 36 kN
 Bolt Pattern Shear Capacity = 7,772 Nm
 Bolt Pattern Design Torque = 1,943 Nm
 Where:
 Bolt Pattern Design Torque = 1/4 x Bolt Pattern Shear Capacity [Nm]

Note: Specifications are subject to change without notice
 *See rating schedule

IsoFlex Coupling Model: IFC 4550 HT (75D)

Dimensions are in millimetres(mm) unless stated otherwise



© 2011 IsoFlex Technologies Pty Ltd.

Drawing number: IFC-4500 HT(75D)-Data Sheet [R1]
 Drawn: WF
 Date: 24 Feb 2011