

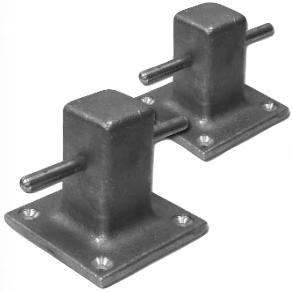
Deck Hardware

A

Mooring Bitts.....	2	Boarding Steps.....	8
Bollard Bitt.....	3	Boarding Ladder Hardware.....	9
Dock Cleats.....	3	Bow Eyes.....	9
Skene Chocks.....	3	Rail Fittings.....	9
Open Base Cleats.....	4	Hawse Pipes.....	10
Euro Cleats.....	5	Mating Hawse Pipes.....	10
Stud Cleats.....	5	Cleat Hawse Pipes.....	11
Tapped Cleat.....	5	Triangular Hawse Pipe.....	11
Weld-On Cleat.....	5	Triangular Hawse Pipe w/ Lip.....	11
Hatch Lifts.....	6	Pipe Deck Plates.....	12
Ladder Brackets.....	6	Deck Plates.....	13
Transom Door Hinges.....	6	Oval Rope Deck Plates.....	13
Wood Rail Hinge.....	6	Circular Rope Deck Plates.....	14
Wood Rail Lock.....	6	Engine Air Intake.....	14
Transom Door Latch.....	7	Stern Lifting Handles.....	14
Step Covers.....	8	Cockpit Scuppers.....	15
Fly Bridge Ladder Steps.....	8	Scupper Plate.....	15

In order to ensure proper function of products, it is strongly recommended that each part is inspected and serviced monthly. Inspection should include, but not be limited to, visible damage, excessive wear, and proper bonding. Failure to properly maintain your product may result in catastrophic failure and/or loss of life.

A



Bronze Mooring Bits - Cast finish - Sold each

Part Number	Base Size	Overall Height	Basehole C to C	Pin Length	Screw Size	Weight, lbs.
00mb4x4	4-3/8" x 4-3/8"	3-1/2"	3-1/2 x 3-1/2"	4-1/2"	3/8"	2.00
00mb5x5	5" x 5"	4-1/4"	3-3/4 x 3-3/4"	7"	3/8"	3.15
00mb6x6	6" x 6"	6"	4-3/4 x 4-3/4"	8"	3/8"	5.50



Bronze Mooring Bitt - Cast finish - Sold each

Part Number	Base Size	Overall Height	Basehole C to C	Pin Length	Screw Size	Weight, lbs.
00mb7x7	7" x 7"	6-1/2"	5-3/8 x 5-3/8"	9"	1/2"	10.50



316 Stainless Steel Mooring Bits

Polished finish - Sold each

Part Number	Base Size	Overall Height	Basehole C to C	Pin Length	Screw Size	Weight, lbs.
70mb4x4	4-1/2" x 4-1/2"	3-1/2"	3-1/2 x 3-1/2"	4-1/2"	3/8"	2.05
70mb5x5	5" x 5"	4-5/8"	3-3/4 x 3-3/4"	7"	3/8"	3.85
70mb6x6	6" x 6"	6"	4-3/4 x 4-3/4"	8"	3/8"	4.45



316 Stainless Steel Mooring Bitt

Polished finish - Sold each

Part Number	Base Size	Overall Height	Basehole C to C	Pin Length	Screw Size	Weight, lbs.
70mb7x7	7" x 7"	6-1/2"	5-3/8 x 5-3/8"	9"	1/2"	8.70



Bronze Mooring Bits - w/ Rope Hole - Cast finish - Sold each

Part Number	Base Size	Overall Height	Basehole C to C	Pin Length	Hole I.D.	Screw Size	Weight, lbs.
00mb4x4h	4-3/8" x 4-3/8"	3-1/2"	3-1/2 x 3-1/2"	4-1/2"	5/8"	3/8"	2.00
00mb5x5h	5" x 5"	4-1/4"	3-3/4 x 3-3/4"	7"	1"	3/8"	3.15
00mb6x6h	6" x 6"	6"	4-3/4 x 4-3/4"	8"	1-1/8"	3/8"	5.50



Bronze Mooring Bitt - w/ Rope Hole - Cast finish - Sold each

Part Number	Base Size	Overall Height	Basehole C to C	Pin Length	Hole I.D.	Screw Size	Weight, lbs.
00mb7x7h	7" x 7"	6-1/2"	5-3/8 x 5-3/8"	9"	1-1/4"	1/2"	10.50

DECK HARDWARE

Bronze Bollard Bitt - Cast finish - Sold each

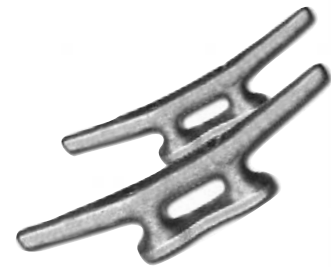
Part Number	Base Diameter	Overall Height	Pin Length	Screw Size	Weight, lbs.
00bb650	6-1/2"	7-1/2"	9"	5/16"	12.75


A

Gray Iron Dock Cleats

Cast finish - Sold each

Part Number	Overall Length	Overall Height	Base Size W x L	Bolt C to C	Bolt Sizes	Weight, lbs.
53dc400	4"	1-1/8"	3/4" x 1-3/4"	1"	1/4"	.20
53dc500	5"	1-1/4"	3/4" x 2"	1-1/4"	1/4"	.30
53dc600	6"	1-1/2"	7/8" x 2-1/4"	1-1/4"	1/4"	.45
53dc800	8"	2"	1-1/4" x 2-3/4"	1-5/8"	3/8"	1.05
53dc1000	10"	2-1/2"	1-1/2" x 4"	2-1/4"	1/2"	2.30
53dc1200	12"	3-1/8"	1-3/4" x 5-1/4"	3-1/4"	1/2"	3.60
53dc1400	14"	3-1/4"	2-1/4" x 6-1/2"	3-1/2"	1/2"	6.05



Bronze Skene Chocks - Cast finish - Sold in pairs

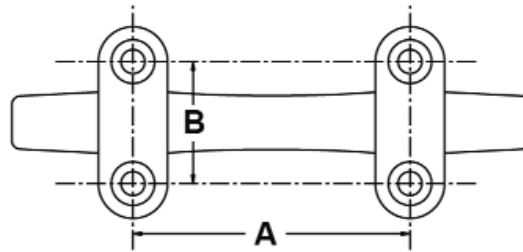
Part Number	Overall Length	Overall Height	Base Width	Max Rope Size	Screw C to C	Screw Size	Weight, lbs.
00bc600s	6"	1-7/8"	1-1/16"	1"	4-5/8"	1/4"	2.20
00bc800s	8"	2-1/16"	1-1/16"	1"	6-3/16"	1/4"	3.60



316 Stainless Steel Skene Chocks - Polished finish - Sold in pairs

Part Number	Overall Length	Overall Height	Base Width	Max Rope Size	Screw C to C	Screw Size	Weight, lbs.
70bcs400s	4-1/2"	1-1/16"	3/4"	3/4"	3-3/4"	#8	.70
70bcs600s	6"	1-7/8"	3/4"	3/4"	4-3/4"	1/4"	1.50
70bcs800s	8"	1-7/8"	1-1/8"	1-1/4"	6-9/16"	1/4"	2.50
70bcs900s	9"	2-1/4"	1-3/4"	1-1/2"	7-1/2"	3/8"	5.75

DECK HARDWARE



Bronze Open Base Cleats - Cast finish - Sold each

Part Number	Overall Length	Overall Height	Base Size W x L	A	B	C.S. Screw Size	Weight, lbs.
00cob450	4-1/4"	1-3/8"	1/2" x 1-1/2"	1-3/4"	1"	#6	.35
00cob675	6-9/16"	1-3/8"	5/8" x 1-5/8"	2-11/16"	1"	#10	.55
00cob825	8-1/4"	2"	1" x 2-1/2"	3-5/16"	1-5/8"	5/16"	1.75
00cob1000	10"	2-1/4"	1" x 3"	3-5/16"	2"	5/16"	2.75
00cob1200	12"	2-3/4"	1-1/4" x 3-1/2"	5"	2-3/8"	5/16"	4.80
00cob1500	15"	4"	1-7/16" x 4-1/4"	5"	2-7/8"	1/2"	8.35

316 Stainless Steel Open Base Cleats - Polished finish - Sold each

Part Number	Overall Length	Overall Height	Base Size W x L	A	B	C.S. Screw Size	Weight, lbs.
70cobs1000	10"	2-7/16"	1" x 2-7/8"	3-3/4"	1-7/8"	5/16"	2.00
70cobs1200	12"	2-7/8"	1-1/4" x 3-1/2"	4-7/8"	2-7/16"	5/16"	4.00
70cobs1500	14-7/8"	3-15/16"	1-3/8" x 4"	5"	2-5/8"	1/2"	7.00
70cobs15lp	14-1/2"	3"	1-5/8" x 4-1/8"	6-1/4"	2-5/8"	1/2"	6.20

316 Stainless Steel Open Base Cleats - Light Type

Polished finish - Sold each

Part Number	Overall Length	Overall Height	Base Size W x L	A	B	C.S. Screw Size	Weight, lbs.
70cobs600L	6"	1-1/4"	11/16" x 1-13/16"	2-1/4"	1"	1/4"	.50
70cobs100L	10"	2-1/8"	1" x 2-3/4"	3-3/4"	1-7/8"	5/16"	1.75
70cobs120L	12"	2-1/8"	1" x 2-3/4"	3-3/4"	1-7/8"	5/16"	2.15

316 Stainless Steel Open Base Cleats - Extra Light Type

Polished finish - Sold each

Part Number	Overall Length	Overall Height	Base Size W x L	A	B	C.S. Screw Size	Weight, lbs.
70cobs80xL	8"	1-5/8"	3/4" x 2-1/16"	2-7/8"	1-3/8"	1/4"	.70
70cobs10xL	10"	2"	1" x 2-7/8"	3-5/8"	1-7/8"	5/16"	1.38

316 Stainless Steel Euro Stud Cleats

Complete w/ s/s studs & nuts - Polished finish - Sold each

Part Number	Overall Length	Overall Height	Stud C to C	Stud Size	Weight, lbs.
70esc600	6"	1-1/8"	2-1/4"	1/2" x 1-1/2"	.60
70esc800	8"	1-3/8"	2-7/8"	1/2" x 2-1/4"	1.30
70esc1000	10"	1-13/16"	3-5/8"	1/2" x 2-1/2"	2.25
70esc1200	12"	2-1/2"	4-1/4"	5/8" x 2-1/2"	3.45



316 Stainless Steel Stud Cleats

Complete w/ s/s studs, nuts, & washers - Polished finish - Sold each

Part Number	Overall Length	Overall Height	Base Size W x L	Stud C to C	Stud Size	Weight, lbs.
70sc400	4"	1"	5/8" X 1-1/16"	2"	1/4" x 1-1/2"	.25
70sc600	6"	1-1/4"	5/8" X 1-3/4"	2-1/4"	5/16" x 1-3/4"	.60
70sc800	8"	1-1/2"	13/16" X 1-5/8"	2-3/4"	3/8" x 2"	.85



316 Stainless Steel Heavy Duty Stud Cleats

Complete w/ s/s studs, nuts, & washers - Polished Finish - Sold each

Part Number	Overall Length	Overall Height	Base Size W x L	Stud C to C	Stud Size	Weight, lbs.
70sc800hd	8"	2"	1" X 2-5/8"	3-3/8"	3/8" x 3"	1.70
70sc1000hd	10"	2-1/2"	1" X 2-5/16"	3-3/4"	1/2" x 1-3/4"	2.40

316 Stainless Steel Tapped Cleats - Round Base

Polished finish - Sold each

Part Number	Overall Length	Overall Height	Max Rope Size	Tapped C to C	Threaded	Weight, lbs.
70cobsstud100	10"	2-3/8"	3/4"	4"	3/8" - 16	1.80
70cobsstud120t	12"	2-7/8"	1"	4"	1/2" - 13	3.20



316 Stainless Steel Tapped Cleat - Oval Base

Polished finish - Sold each

Part Number	Overall Length	Overall Height	Base Size W x L	Tapped C to C	Threaded	Weight, lbs.
70cobsstud120ft	12"	2-7/8"	13/16" X 3-1/2"	4-7/8"	1/2" - 13	3.65



316L Stainless Steel Weld-On Open Base Cleat

Polished finish - Sold each

Part Number	Overall Length	Overall Height	Base C to C	Base Size W x L	Weight, lbs.
70cobs1500mod	15"	3-7/8"	5-1/4"	1-5/16" x 3-7/8"	6.70



A



316 Stainless Steel Hatch Lift - Polished finish - Sold each

Part Number	Plate Dimensions	Screw Size	Weight, lbs.
70hLs1	2-1/4" x 3"	#8	.30



316 Stainless Steel Hatch Lift - Polished finish - Sold each

Part Number	Plate Dimensions	Screw Size	Weight, lbs.
70hLs2	1-1/2 X 1-15/16"	#6	.19



316 Stainless Steel Transom Door Hinges

Polished finish - Sold each

Part Number	Overall Length	Overall Width	C.S. Screw Size	Weight, lbs.
70ssh4x6	4"	6"	1/4"	1.00
70ssh5x8	5"	8"	1/4"	1.65



316 Stainless Steel Ladder Brackets

Polished finish - Sold in pairs*

Part Number	Screw Size	Weight, lbs.
70Lb	#10	3.30

* Sold only in sets of right and left hand pairs.



316 Stainless Steel Wood Rail Hinge

Polished finish - Sold each

Part Number	Inside Dimensions	Overall Length	C.S. Screw Size	Weight, lbs.
70wrLhs1	1-1/4" x 2-11/16"	3-5/8"	#10	1.50

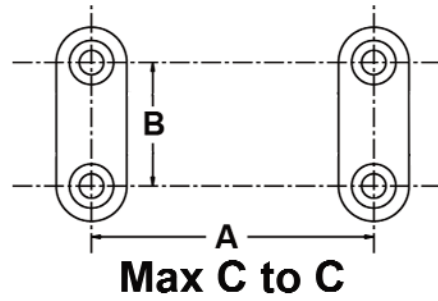


316 Stainless Steel Wood Rail Lock

Polished finish - Sold each

Part Number	Inside Dimensions	Overall Length	C.S. Screw Size	Weight, lbs.
70wrLLs1	1-1/8" x 2-11/16"	3-5/8"	#10	1.50

DECK HARDWARE



316 Stainless Steel Transom Door Latch - Polished finish - Sold each

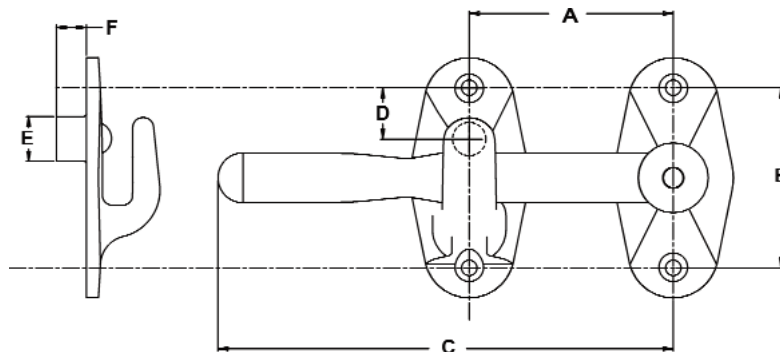
Part Number	Handle Length	Overall Height	Plate Size W x L	A	B	Screw Size	Weight, lbs.
70tdLs625	6-1/4"	1-1/4"	1-1/2" x 3"	2-1/2"	2-1/4"	#10	.75



316 Stainless Steel Transom Door Latch - Locking

Polished finish - Sold each

Part Number	A	B	C	D	E	F	Screw Size	Weight, lbs.
70tdLs625sm	2-1/2"	2-1/4"	5-3/4"	5/8"	9/16"	3/8"	#10	.75
70tdLs625lg	3"	2-3/8"	6-1/4"	7/8"	9/16"	3/8"	#10	1.20



DECK HARDWARE



316 Stainless Steel Step Covers - Polished finish - Sold each

Part Number	Base Size W x L	Overall Height	Opening W x L	C.S. Screw Size	Weight, lbs.
70gcstepsmaLL	3-5/8" x 8-7/8"	11/16"	2-5/16" x 7-9/16"	#8	.75
70gcstepLarge	4" x 11-5/8"	1"	4-7/16" x 10-3/8"	#8	1.50
70ccbstep	3-1/2" x 8-7/16"	3/4"	2-3/16" x 7-1/8"	#8	.75



Aluminum Fly Bridge Ladder Steps - Anodized Satin finish - Sold each

Part Number	Base Size W x L	Tube Size	Tube Angle Deg.	Screw Size	Weight, lbs.
26st170088	3" x 17"	7/8"	11-1/2"	1/4"	2.30
26st170100	3" x 17"	1"	11-1/2"	1/4"	2.30



Bronze Boarding Steps - Cast finish - Sold each

Part Number	Base Size W x L	Mounting Surface	Hand Holes	Angle Deg.	Weight, lbs.
00bs600	4-3/8" x 6"	1-15/16" x 6"	1" x 4"	90	2.25
00bs700	4" x 7"	2-1/4" x 7"	1" x 4"	100	2.30

316 Stainless Steel Boarding Step - Polished finish - Sold each

Part Number	Base Size W x L	Mounting Surface	Hand Holes	Angle Deg.	Weight, lbs.
70bs600	4-3/8" x 6"	1-7/8" x 6"	1" x 4"	90	2.25



Bronze Boarding Step - Cast finish - Sold each

Part Number	Base Size W x L	Mounting Surface	Hand Holes	Angle Deg.	Weight, lbs.
00bs1100	4-5/16" x 10-3/4"	1-7/8" x 10-3/4"	1" x 4"	90	3.85

316 Stainless Steel Boarding Step - Polished finish - Sold each

Part Number	Base Size W x L	Mounting Surface	Hand Holes	Angle Deg.	Weight, lbs.
70bs1100	5" x 10-3/4"	1-7/8" x 10-3/4"	1" x 4"	90	5.10

Boarding Ladder Hardware - Complete Set

Available in polished 316 stainless steel or polished bronze
Sold in complete sets

Part Number Polished Bronze	Part Number Stainless Steel	Screw Size	Weight, lbs.
01bLh1	70bLh1	#10	3.30



A

Boarding Ladder Hardware - Component Parts

Available in polished 316 stainless steel or polished bronze - Sold in pairs

Part Number Polished Bronze	Part Number Stainless Steel	Part Description	Screw Size	Weight, lbs.
01bLb	70bLb	Bracket	#10	1.85
01bLe	70bLe	Eye	#10	.70
01bLh	70bLh	Hinge	#10	.75

Bow Eyes

Available in a cast bronze and polished 316 stainless steel -
Sold each

Part Number Plain Bronze*	Part Number Stainless Steel	Shank Length	Shank Diameter	Eye Diameter	Weight, lbs.
00be300	70be300	3"	3/8"	1"	.30
00be400	70be400	4"	3/8"	1"	.35
00be600	70be600	6"	3/8"	1"	.45
00be6005	n/a	6"	1/2"	1"	.60

* The bronze bow eyes come with a shouldered stem.



316 Stainless Steel Hand Rail Fitting - End

Polished finish - Sold each

Part Number	Overall Length	Overall Width	Overall Height	Height to Center	Tube Size	Weight, lbs.
70rLes100x	2-3/4"	15/16"	2-3/8"	1-3/4"	1"	.40



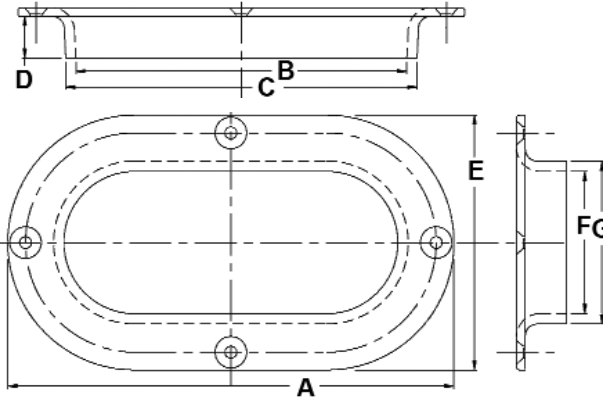
316 Stainless Steel Hand Rail Fitting - Center

Polished finish - Sold each

Part Number	Overall Length	Overall Width	Overall Height	Height to Center	Tube Size	Weight, lbs.
70rLcs100x	2-3/4"	15/16"	2-3/8"	1-3/4"	1"	.35



DECK HARDWARE

A

Bronze Hawse Pipes - Cast finish - Sold each

Part Number	A	B	C	D	E	F	G	C. S. Screw Size	Weight, lbs.
00hp0	5-3/8"	3-1/4"	3-7/8"	1-1/2"	3-1/2"	1-1/2"	2-1/8"	1/4"	1.70
00hp2	7-1/16"	4-1/2"	5"	1-7/8"	4-1/16"	1-1/2"	2"	1/4"	2.90
00hp3	9-3/8"	7"	7-7/16"	7/8"	5-5/16"	2-15/16"	3-3/8"	1/4"	2.40

316 Stainless Steel Hawse Pipes - Polished finish - Sold each

Part Number	A	B	C	D	E	F	G	C. S. Screw Size	Weight, lbs.
70hps2	6-15/16"	4-1/2"	4-7/8"	1-7/8"	3-15/16"	1-1/2"	1-7/8"	1/4"	1.20
70hps3	9-3/8"	6-15/16"	7-7/16"	7/8"	5-3/8"	2-7/8"	3-3/8"	1/4"	2.40


Bronze Hawse Pipe - Cast finish - Sold each

Part Number	A	B	C	D	E	F	G	C. S. Screw Size	Weight, lbs.
00hp1	6-1/4"	3-7/8"	4-1/4"	3/4"	3"	1-7/8"	2-1/4"	1/4"	1.20

316 Stainless Steel Hawse Pipe - Polished finish - Sold each

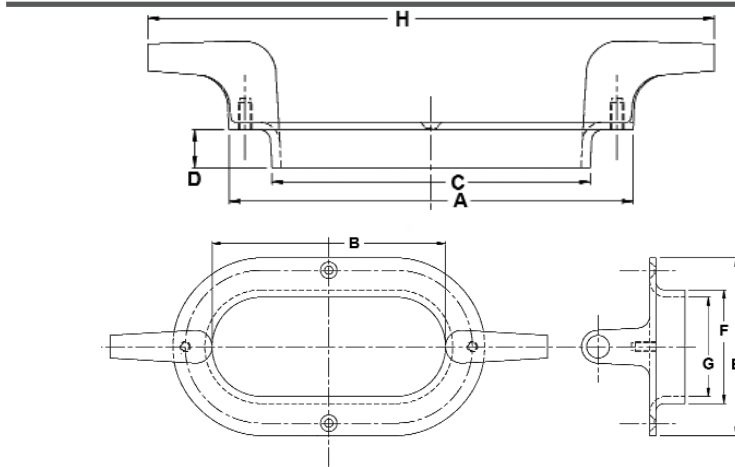
Part Number	A	B	C	D	E	F	G	C. S. Screw Size	Weight, lbs.
70hps1	6-1/16"	3-15/16"	4-1/4"	1-1/8"	3-5/16"	1-15/16"	2-1/4"	#10	1.20

316 Stainless Steel Mating Hawse Pipes

Polished finish - Sold as a set



Part Number	Outside Flange W x L	Hawse Opening W x L	Distance Between Flanges Min to Max	C.S. Screw Size	Weight, lbs.
70hps6	4" x 7"	1-9/16" x 4-9/16"	1-1/4" to 2-1/2"	#12	3.85
70hps7	5-3/4" x 9-1/2"	3" x 6-7/8"	1-5/8" to 3-1/4"	#12	7.75
70hps8	6-1/2" x 9-1/2"	3-3/4" x 6-7/8"	1-5/8" to 3-1/4"	5/16"	8.75



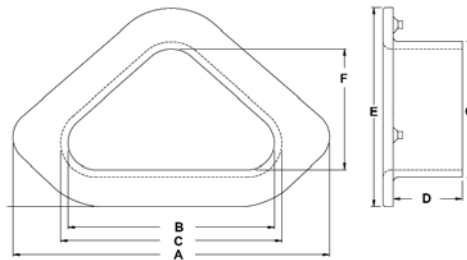
A

Bronze Cleat Hawse Pipes - Cast finish - Sold each

Part Number	A	B	C	D	E	F	G	H	C.S. Screw Size	Weight, lbs.
00hpc0	5-1/4"	3-1/4"	3-3/4"	1-1/2"	3-1/2"	2"	1-9/16"	10"	1/4"	3.30

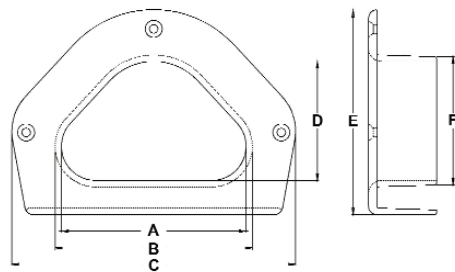
316 Stainless Steel Cleat Hawse Pipe - Polished finish - Sold each

Part Number	A	B	C	D	E	F	G	H	C.S. Screw Size	Weight, lbs.
70hpcs3	9-1/4"	7-1/8"	7-1/2"	13/16"	5-1/4"	3-5/16"	2-15/16"	14"	1/4"	3.45



316 Stainless Steel Triangular Hawse Pipe - Polished finish - Sold each

Part Number	A	B	C	D	E	F	G	Screw Size	Weight, lbs.
70hpts3	7-7/8"	5-1/4"	5-1/2"	1-3/4"	4-15/16"	3-1/16"	3-5/16"	1/4"	2.20



316 Stainless Steel Triangular Hawse Pipe w/ lip - Polished finish - Sold each

Part Number	A	B	C	D	E	F	Screw Size	Weight, lbs.
70hpts3	5-7/16"	5-25/32"	8-11/32"	3-1/2"	6"	3-3/4"	1/4"	3.60

DECK HARDWARE

A



Please specify the mark below to be stamped on the flange when ordering. If you would like a flange without a stamp "No Mark" is available.



* The "OIL" stamp is only available in 1-1/2" and 2" 316 stainless steel.

Bronze Pipe Deck Plates - Machined finish - Sold each

Each pipe deck plate is furnished with a beaded chain, cap, o-ring and key.

Part Number	Pipe Size	Shank O. D.	Length Under Flange	Flange O. D.	C. S. Screw Size	Weight, lbs.
00pdp125	1-1/4"	1-3/4"	1-5/16"	3-1/8"	#10	.70
00pdp150	1-1/2"	2-1/8"	1-5/16"	3-3/4"	#10	1.10
00pdp200	2"	2-7/8"	1-1/2"	4-5/8"	#10	2.30

316 Stainless Steel Pipe Deck Plates - Polished finish - Sold each

Each pipe deck plate is furnished with a beaded chain, cap, o-ring and key.

Part Number	Pipe Size	Shank O. D.	Length Under Flange	Flange O. D.	C. S. Screw Size	Weight, lbs.
70pdps150	1-1/2"	2-1/8"	1-5/16"	3-3/4"	#10	1.10
70pdps200	2"	2-7/8"	1-1/2"	4-5/8"	#10	2.30

Replacement Parts for Pipe Deck Plates



Keys - Sold each

Part Number	Use With Part Numbers
00pdpk150	00pdp125, 00pdp150, 70pdps125, & 70pdps150
00pdpk200	00pdp200 & 70pdps200

Caps - Sold each

Part Number	Use With Part Numbers
00pdpc125	00pdp125
00pdpc150	00pdp150
00pdpc200	00pdp200
70pdps125c	70pdps125
70pdps150c	70pdps150
70pdps200c	70pdps200

O-rings - Sold each

Part Number	Use With Part Numbers
oring125	00pdp125
oring150	00pdp150
oring200	00pdp200
oring125ss	70pdps125
oring150ss	70pdps150
oring200ss	70pdps200

DECK HARDWARE

Bronze Deck Plates - Machined finish - Sold each

Part Number	Opening I. D.	Hub O. D.	Length Under Flange	Flange O. D.	C. S. Screw Size	Weight, lbs.
00dp400	4"	4-3/8"	5/8"	5-3/4"	#12	3.00
00dp500	5"	5-3/8"	3/4"	7-3/8"	#12	4.00
00dp600	6"	6-1/2"	3/4"	8-1/8"	#12	5.00
00dp800	8"	8-1/4"	1"	10-1/4"	3/16"	9.00


A

Replacement Parts for Deck Plates

Keys - Sold each

Part Number	Use With Part Numbers
00dp400k	00dp400
00dp500k	00dp500
00dp800k	00dp600 & 00dp800

Caps - Sold each

Part Number	Use With Part Numbers
00dp400c	00dp400
00dp500c	00dp500
00dp600c	00dp600
00dp800c	00dp800

Bronze Oval Rope Deck Plate - w/ Chain

Cast finish - Sold each

Part Number	Flange W x L	Pipe Opening	Hub W x L	Length Under Flange	C. S. Screw Size	Weight, lbs.
00ordp1	4" x 5-1/4"	2-1/2" x 3-3/4"	3" x 4-1/4"	3/4"	#8	1.90



316 Stainless Steel Oval Rope Deck Plate - w/ Chain

Polished finish - Sold each

Part Number	Flange W x L	Pipe Opening	Hub W x L	Length Under Flange	C. S. Screw Size	Weight, lbs.
70ordps1	4-1/8" x 5-1/4"	2-3/8" x 3-5/8"	2-7/8" x 4-1/8"	3/4"	#8	2.00

Replacement Caps for Oval Rope Deck Plates

Complete w/ chain - Sold each

Part Number	Use With Part Numbers
00ordp1c	00ordp1
70ordps1c	70ordps1

316 Stainless Steel Oval Rope Deck Plate

Complete w/ spring loaded hinged top - Polished finish - Sold each

Part Number	Flange W x L	Pipe Opening	Hub W x L	Length Under Flange	C. S. Screw Size	Weight, lbs.
70ordps2	4" x 5-1/2"	2-7/16" x 3-3/4"	2-3/4" x 4-1/8"	3/4"	#8	1.90



A



Bronze Rope Deck Plates - Cast finish - Sold each

Part Number	Flange O. D.	Hub O. D.	Length Under Flange	Overall Height	Max Rope Size	C. S. Screw Size	Weight, lbs.
00rdp63	3"	1-9/16"	3/8"	2"	5/8"	#10	.56
00rdp100	4"	2-1/8"	1"	3-1/4"	1"	#10	1.47

Replacement Caps for Rope Deck Plates

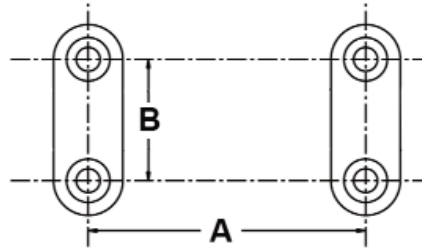
Complete w/ chain - Sold each

Part Number	Use With Part Numbers
00rdp63c	00rdp63
00rdp100c	00rdp100



316 Stainless Steel Engine Air Intake - Polished finish - Sold each

Part Number	Overall Length	Overall Height	Overall Width	C.S. Screw Size	Weight, lbs.
70gcbearcLaw	8-3/4"	1-1/2"	5-1/2"	#6	1.80



Bronze Stern Lifting Handle

Cast finish - Sold each

Part Number	Overall Length	Overall Height	Base Size W x L	A	B	C.S. Screw Size	Weight, lbs.
00sLh1	5-3/4"	1-3/4"	7/8" x 1-3/4"	4-7/8"	1"	#10	.50

316 Stainless Steel Stern Lifting Handle

Polished finish - Sold each

Part Number	Overall Length	Overall Height	Base Size W x L	A	B	C.S. Screw Size	Weight, lbs.
70sLh1	5-3/4"	1-3/4"	1" x 1-3/4"	4-15/16"	15/16"	#10	.50

Cockpit Scupper w/ Hose End- Bronze Top

Cast Finish - Sold Each

Part Number	Strainer O. D.	Overall Height	Hose O. D.	C.S. Screw Size	Weight, lbs.
00cps438	4-1/4"	4-1/8"	2-3/8"	#8	3.00



A

Cockpit Scupper w/ Hose End - 316 Stainless Steel Top

Polished top & cast body - Sold each

Part Number	Strainer O. D.	Overall Height	Hose O. D.	C.S. Screw Size	Weight, lbs.
70cps438	4-1/4"	4-1/8"	2-3/8"	#8	3.00

Cockpit Scupper w/ Hose End - 316 Stainless Steel Top

Polished top & cast body - Sold each

Part Number	Strainer O. D.	Overall Height	Hose O. D.	C.S. Screw Size	Weight, lbs.
00cps325	3-1/4"	2-3/8"	1"	#8	1.00



Cockpit Scupper - 316 Stainless Steel Top

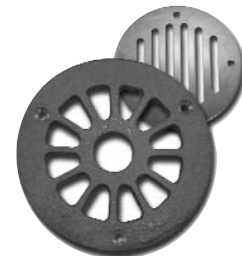
Polished top & cast body - Sold each

Part Number	Strainer O. D.	Overall Height	Thread Size	C.S. Screw Size	Weight, lbs.
00cps350	3-1/2"	1"	2" N.P.T.	#8	.50



Replacement Tops for Cockpit Scuppers - Sold each

Part Number	Top O. D.	Material	Replacement for Part Numbers	Weight, lbs.
70cps325t	3-1/4"	Polished S.S.	00cps325	.10
70Lv350	3-1/4"	Polished S.S.	00cps350	.10
70cps438t	4-1/4"	Polished S.S.	70cps438	.40
00cps438t	4-1/4"	Cast Bronze	00cps438	.75



316 Stainless Steel Scupper Plate - Polished finish - Sold each

Part Number	Overall Width	Overall Length	Overall Height	C.S. Screw Size	Weight, lbs.
70scupper	6-5/8"	4-5/8"	1/4"	1/4"	1.50



DECK HARDWARE