



BUCK ALGONQUIN

Marine Hardware • Since 1955

MARINE HARDWARE CATALOG

www.buckalgonquin.com

Best Below
the Waterline
for Over
50 Years!



BEST BELOW
the
WATERLINE

Buck Algonquin

100 Log Canoe Circle
Stevensville MD 21666

Ph: (410) 643-7145

Fax:(410) 643-7777

www.buckalgonquin.com

Welcome to Buck Algonquin!

*Builders of quality marine
hardware and lasting
relationships since
1955!*



HISTORY

In 1955 Buck Iron Company, Inc. a manufacturer of ferrous and non-ferrous castings in Lancaster, PA. began making custom castings for the marine industry. Buck Algonquin under the leadership of Mr. Thomas V. Krug, grew the business from custom struts, rudders and planking dogs to a full line marine manufacturer of custom castings. Buck Algonquin has developed into an industry leader in quality custom castings with a full line of products that are sold to the marine distribution industry.

ABOUT US

Buck Algonquin was founded with a mission of being an industry leader, providing quality products and giving excellent customer service. We have built successful relationships with our customers and vendors based on the Six Pillars of character: *Trustworthiness, Respect, Responsibility, Fairness, Caring and Citizenship*. Buck Algonquin has talented engineers ready to help with your design needs. The company has a modern CNC machine shop to assist in making a quality part. Send your requests to our sales department by phone, fax, e-mail or snail-mail. The sales department is at your service to discuss your requirements whether it is a new part or you need a part for your antique vessel. If we did not make the part we probably know where to obtain the part. Contact our sales department today.



LIMITED WARRANTY

Buck Algonquin (herein called "Algonquin") warrants the products described herein, and manufactured by Algonquin, to be free from defects in material and workmanship for a period of one (1) year from date of shipment by Algonquin, under normal use and service, its sole obligation under this warranty being limited to repairing and replacing as hereinafter provided, at its option, any product found to Algonquin's satisfaction to be defective upon examination by it, provided that such product shall be returned for inspection at Algonquin's factory within three (3) months after discovery of the defect.

The repair or replacement of defective products will be made without charge for parts and labor.

This warranty shall not apply to parts or products not manufactured by Algonquin, the warranty of such items being limited to the actual warranty extended to Algonquin by its supplier.

This warranty shall not apply to any product which has been subject to abuse, negligence, accident or misapplication or to any product which has been altered or repaired by anyone other than Algonquin nor to normal maintenance services and the replacement of service items (such as washers, gaskets, and lubricants) made in connection with such services.

Other than the obligation of Algonquin expressly set forth herein, Algonquin disclaims all warranties, expressed or implied, including but not limited to any implied warranties of merchantability or fitness for a particular purpose, and any other obligation or liability. The foregoing constitutes Algonquin's sole obligation with respect to damages, whether direct, incidental or consequential, resulting from their use or performance of the product.

Buck Algonquin

100 Log Canoe Circle

Stevensville, MD 21666, U.S.A.

Policies & Procedures

Shipping Procedures

At Buck Algonquin we are committed to shipping orders in an expedient manner. Please allow 2 days for standard orders to ship from our facility. Please allow 5 days for shipping when parts need to be machined or have special instructions. When an order requires same day shipping, the order needs to be placed before 2:30 pm EST. We cannot guarantee any ship date, but we strive to ship as soon as possible.

All shipments are sent F.O.B. Buck Algonquin. Our standard method of shipping is United Parcel Service (UPS) for small shipments and common carrier for pallet size shipments. If you require a different method i.e. Fed Ex, Bax Global, USPS, DHL, your order needs to be received before 12:00 pm EST in order to ship the same day, otherwise the order will be processed for the following business day.

If your order is too large for UPS we will ship via common carrier, collect or billed to your account. If not specified we will ship via the most economical common carrier.

We encourage specific shipping instructions to be given when an order is placed to ensure proper handling of shipments.

Return Policies

If the return of a Buck Algonquin product is required; we require a RGA (Return Goods Authorization) number to be issued by Buck Algonquin. In order to acquire an RGA number, please contact our sales staff.

All product sent back to Buck Algonquin must be properly packaged. If the return is damaged due to improper packaging, it will be refused and returned to the sender.

All orders are subject to a 20% restocking fee.

Buck Algonquin does not credit for machining performed by the customer, unless authorized by Buck Algonquin prior to the machining being performed.

All returns are to be shipped F.O.B. Buck Algonquin.

Purchasing Products

Buck Algonquin sells through our wholesale distribution network. Please feel free to contact us or visit our website to locate your local distributor.



Pg. 1
A Deck Hardware



Pg. 17
B Drivetrain



Pg. 45
C Exhaust Fittings



Pg. 49
D Hose & Clamps



Pg. 55
E Plumbing Fittings



Pg. 69
F Shafting & Accessories



Pg. 81
G Steering Hardware



Pg. 101
H Strainers



Pg. 111
I Thru Hulls



Pg. 121
J Valves



Pg. 129
L Misc. Hardware

<i>Deck Hardware</i>	1-15	A
<i>Drivetrain</i>	17-44	B
<i>Exhaust Fittings</i>	45-48	C
<i>Hose & Clamps</i>	49-53	D
<i>Plumbing & Fittings</i>	55-67	E
<i>Shafting & Accessories</i>	69-80	F
<i>Steering Hardware</i>	81-99	G
<i>Strainers</i>	101-109	H
<i>Thru Hulls</i>	111-119	I
<i>Valves</i>	121-127	J
<i>Misc Hardware</i>	129-131	K

Reference Diagrams.....132-135

Index.....137-138



TOURNAMENT
MARINE PRODUCTS



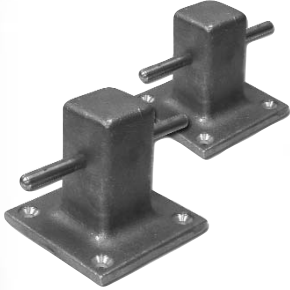


Deck Hardware

A

Mooring Bitts.....	2	Boarding Steps.....	8
Bollard Bitt.....	3	Boarding Ladder Hardware.....	9
Dock Cleats.....	3	Bow Eyes.....	9
Skene Chocks.....	3	Rail Fittings.....	9
Open Base Cleats.....	4	Hawse Pipes.....	10
Euro Cleats.....	5	Mating Hawse Pipes.....	10
Stud Cleats.....	5	Cleat Hawse Pipes.....	11
Tapped Cleat.....	5	Triangular Hawse Pipe.....	11
Weld-On Cleat.....	5	Triangular Hawse Pipe w/ Lip.....	11
Hatch Lifts.....	6	Pipe Deck Plates.....	12
Ladder Brackets.....	6	Deck Plates.....	13
Transom Door Hinges.....	6	Oval Rope Deck Plates.....	13
Wood Rail Hinge.....	6	Circular Rope Deck Plates.....	14
Wood Rail Lock.....	6	Engine Air Intake.....	14
Transom Door Latch.....	7	Stern Lifting Handles.....	14
Step Covers.....	8	Cockpit Scuppers.....	15
Fly Bridge Ladder Steps.....	8	Scupper Plate.....	15

In order to ensure proper function of products, it is strongly recommended that each part is inspected and serviced monthly. Inspection should include, but not be limited to, visible damage, excessive wear, and proper bonding. Failure to properly maintain your product may result in catastrophic failure and/or loss of life.

A

Bronze Mooring Bits - Cast finish - Sold each

Part Number	Base Size	Overall Height	Basehole C to C	Pin Length	Screw Size	Weight, lbs.
00mb4x4	4-3/8" x 4-3/8"	3-1/2"	3-1/2 x 3-1/2"	4-1/2"	3/8"	2.00
00mb5x5	5" x 5"	4-1/4"	3-3/4 x 3-3/4"	7"	3/8"	3.15
00mb6x6	6" x 6"	6"	4-3/4 x 4-3/4"	8"	3/8"	5.50


Bronze Mooring Bitt - Cast finish - Sold each

Part Number	Base Size	Overall Height	Basehole C to C	Pin Length	Screw Size	Weight, lbs.
00mb7x7	7" x 7"	6-1/2"	5-3/8 x 5-3/8"	9"	1/2"	10.50


316 Stainless Steel Mooring Bits

Polished finish - Sold each

Part Number	Base Size	Overall Height	Basehole C to C	Pin Length	Screw Size	Weight, lbs.
70mb4x4	4-1/2" x 4-1/2"	3-1/2"	3-1/2 x 3-1/2"	4-1/2"	3/8"	2.05
70mb5x5	5" x 5"	4-5/8"	3-3/4 x 3-3/4"	7"	3/8"	3.85
70mb6x6	6" x 6"	6"	4-3/4 x 4-3/4"	8"	3/8"	4.45


316 Stainless Steel Mooring Bitt

Polished finish - Sold each

Part Number	Base Size	Overall Height	Basehole C to C	Pin Length	Screw Size	Weight, lbs.
70mb7x7	7" x 7"	6-1/2"	5-3/8 x 5-3/8"	9"	1/2"	8.70


Bronze Mooring Bits - w/ Rope Hole - Cast finish - Sold each

Part Number	Base Size	Overall Height	Basehole C to C	Pin Length	Hole I.D.	Screw Size	Weight, lbs.
00mb4x4h	4-3/8" x 4-3/8"	3-1/2"	3-1/2 x 3-1/2"	4-1/2"	5/8"	3/8"	2.00
00mb5x5h	5" x 5"	4-1/4"	3-3/4 x 3-3/4"	7"	1"	3/8"	3.15
00mb6x6h	6" x 6"	6"	4-3/4 x 4-3/4"	8"	1-1/8"	3/8"	5.50


Bronze Mooring Bitt - w/ Rope Hole - Cast finish - Sold each

Part Number	Base Size	Overall Height	Basehole C to C	Pin Length	Hole I.D.	Screw Size	Weight, lbs.
00mb7x7h	7" x 7"	6-1/2"	5-3/8 x 5-3/8"	9"	1-1/4"	1/2"	10.50

Bronze Bollard Bitt - Cast finish - Sold each

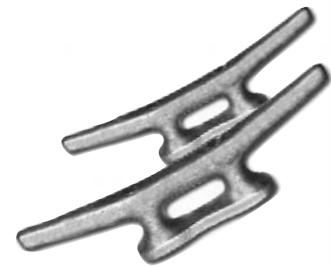
Part Number	Base Diameter	Overall Height	Pin Length	Screw Size	Weight, lbs.
00bb650	6-1/2"	7-1/2"	9"	5/16"	12.75


A

Gray Iron Dock Cleats

Cast finish - Sold each

Part Number	Overall Length	Overall Height	Base Size W x L	Bolt C to C	Bolt Sizes	Weight, lbs.
53dc400	4"	1-1/8"	3/4" x 1-3/4"	1"	1/4"	.20
53dc500	5"	1-1/4"	3/4" x 2"	1-1/4"	1/4"	.30
53dc600	6"	1-1/2"	7/8" x 2-1/4"	1-1/4"	1/4"	.45
53dc800	8"	2"	1-1/4" x 2-3/4"	1-5/8"	3/8"	1.05
53dc1000	10"	2-1/2"	1-1/2" x 4"	2-1/4"	1/2"	2.30
53dc1200	12"	3-1/8"	1-3/4" x 5-1/4"	3-1/4"	1/2"	3.60
53dc1400	14"	3-1/4"	2-1/4" x 6-1/2"	3-1/2"	1/2"	6.05



Bronze Skene Chocks - Cast finish - Sold in pairs

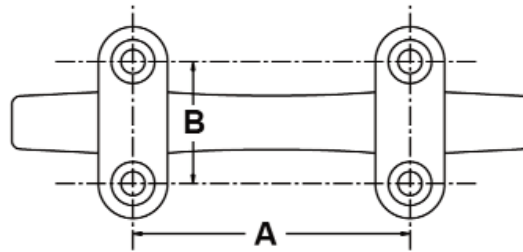
Part Number	Overall Length	Overall Height	Base Width	Max Rope Size	Screw C to C	Screw Size	Weight, lbs.
00bc600s	6"	1-7/8"	1-1/16"	1"	4-5/8"	1/4"	2.20
00bc800s	8"	2-1/16"	1-1/16"	1"	6-3/16"	1/4"	3.60



316 Stainless Steel Skene Chocks - Polished finish - Sold in pairs

Part Number	Overall Length	Overall Height	Base Width	Max Rope Size	Screw C to C	Screw Size	Weight, lbs.
70bcs400s	4-1/2"	1-1/16"	3/4"	3/4"	3-3/4"	#8	.70
70bcs600s	6"	1-7/8"	3/4"	3/4"	4-3/4"	1/4"	1.50
70bcs800s	8"	1-7/8"	1-1/8"	1-1/4"	6-9/16"	1/4"	2.50
70bcs900s	9"	2-1/4"	1-3/4"	1-1/2"	7-1/2"	3/8"	5.75

DECK HARDWARE

A


Bronze Open Base Cleats - Cast finish - Sold each

Part Number	Overall Length	Overall Height	Base Size W x L	A	B	C.S. Screw Size	Weight, lbs.
00cob450	4-1/4"	1-3/8"	1/2" x 1-1/2"	1-3/4"	1"	#6	.35
00cob675	6-9/16"	1-3/8"	5/8" x 1-5/8"	2-11/16"	1"	#10	.55
00cob825	8-1/4"	2"	1" x 2-1/2"	3-5/16"	1-5/8"	5/16"	1.75
00cob1000	10"	2-1/4"	1" x 3"	3-5/16"	2"	5/16"	2.75
00cob1200	12"	2-3/4"	1-1/4" x 3-1/2"	5"	2-3/8"	5/16"	4.80
00cob1500	15"	4"	1-7/16" x 4-1/4"	5"	2-7/8"	1/2"	8.35

316 Stainless Steel Open Base Cleats - Polished finish - Sold each

Part Number	Overall Length	Overall Height	Base Size W x L	A	B	C.S. Screw Size	Weight, lbs.
70cobs1000	10"	2-7/16"	1" x 2-7/8"	3-3/4"	1-7/8"	5/16"	2.00
70cobs1200	12"	2-7/8"	1-1/4" x 3-1/2"	4-7/8"	2-7/16"	5/16"	4.00
70cobs1500	14-7/8"	3-15/16"	1-3/8" x 4"	5"	2-5/8"	1/2"	7.00
70cobs15lp	14-1/2"	3"	1-5/8" x 4-1/8"	6-1/4"	2-5/8"	1/2"	6.20

316 Stainless Steel Open Base Cleats - Light Type

Polished finish - Sold each

Part Number	Overall Length	Overall Height	Base Size W x L	A	B	C.S. Screw Size	Weight, lbs.
70cobs600L	6"	1-1/4"	11/16" x 1-13/16"	2-1/4"	1"	1/4"	.50
70cobs100L	10"	2-1/8"	1" x 2-3/4"	3-3/4"	1-7/8"	5/16"	1.75
70cobs120L	12"	2-1/8"	1" x 2-3/4"	3-3/4"	1-7/8"	5/16"	2.15

316 Stainless Steel Open Base Cleats - Extra Light Type

Polished finish - Sold each

Part Number	Overall Length	Overall Height	Base Size W x L	A	B	C.S. Screw Size	Weight, lbs.
70cobs80xL	8"	1-5/8"	3/4" x 2-1/16"	2-7/8"	1-3/8"	1/4"	.70
70cobs10xL	10"	2"	1" x 2-7/8"	3-5/8"	1-7/8"	5/16"	1.38

316 Stainless Steel Euro Stud Cleats

Complete w/ s/s studs & nuts - Polished finish - Sold each

Part Number	Overall Length	Overall Height	Stud C to C	Stud Size	Weight, lbs.
70esc600	6"	1-1/8"	2-1/4"	1/2" x 1-1/2"	.60
70esc800	8"	1-3/8"	2-7/8"	1/2" x 2-1/4"	1.30
70esc1000	10"	1-13/16"	3-5/8"	1/2" x 2-1/2"	2.25
70esc1200	12"	2-1/2"	4-1/4"	5/8" x 2-1/2"	3.45



316 Stainless Steel Stud Cleats

Complete w/ s/s studs, nuts, & washers - Polished finish - Sold each

Part Number	Overall Length	Overall Height	Base Size W x L	Stud C to C	Stud Size	Weight, lbs.
70sc400	4"	1"	5/8" X 1-1/16"	2"	1/4" x 1-1/2"	.25
70sc600	6"	1-1/4"	5/8" X 1-3/4"	2-1/4"	5/16" x 1-3/4"	.60
70sc800	8"	1-1/2"	13/16" X 1-5/8"	2-3/4"	3/8" x 2"	.85



316 Stainless Steel Heavy Duty Stud Cleats

Complete w/ s/s studs, nuts, & washers - Polished Finish - Sold each

Part Number	Overall Length	Overall Height	Base Size W x L	Stud C to C	Stud Size	Weight, lbs.
70sc800hd	8"	2"	1" X 2-5/8"	3-3/8"	3/8" x 3"	1.70
70sc1000hd	10"	2-1/2"	1" X 2-5/16"	3-3/4"	1/2" x 1-3/4"	2.40

316 Stainless Steel Tapped Cleats - Round Base

Polished finish - Sold each

Part Number	Overall Length	Overall Height	Max Rope Size	Tapped C to C	Threaded	Weight, lbs.
70cobsstud100	10"	2-3/8"	3/4"	4"	3/8" - 16	1.80
70cobsstud120t	12"	2-7/8"	1"	4"	1/2" - 13	3.20



316 Stainless Steel Tapped Cleat - Oval Base

Polished finish - Sold each

Part Number	Overall Length	Overall Height	Base Size W x L	Tapped C to C	Threaded	Weight, lbs.
70cobsstud120ft	12"	2-7/8"	13/16" X 3-1/2"	4-7/8"	1/2" - 13	3.65



316L Stainless Steel Weld-On Open Base Cleat

Polished finish - Sold each

Part Number	Overall Length	Overall Height	Base C to C	Base Size W x L	Weight, lbs.
70cobs1500mod	15"	3-7/8"	5-1/4"	1-5/16" x 3-7/8"	6.70



A



316 Stainless Steel Hatch Lift - Polished finish - Sold each

Part Number	Plate Dimensions	Screw Size	Weight, lbs.
70hLs1	2-1/4" x 3"	#8	.30



316 Stainless Steel Hatch Lift - Polished finish - Sold each

Part Number	Plate Dimensions	Screw Size	Weight, lbs.
70hLs2	1-1/2 X 1-15/16"	#6	.19



316 Stainless Steel Transom Door Hinges

Polished finish - Sold each

Part Number	Overall Length	Overall Width	C.S. Screw Size	Weight, lbs.
70ssh4x6	4"	6"	1/4"	1.00
70ssh5x8	5"	8"	1/4"	1.65



316 Stainless Steel Ladder Brackets

Polished finish - Sold in pairs*

Part Number	Screw Size	Weight, lbs.
70Lb	#10	3.30

* Sold only in sets of right and left hand pairs.



316 Stainless Steel Wood Rail Hinge

Polished finish - Sold each

Part Number	Inside Dimensions	Overall Length	C.S. Screw Size	Weight, lbs.
70wrLhs1	1-1/4" x 2-11/16"	3-5/8"	#10	1.50

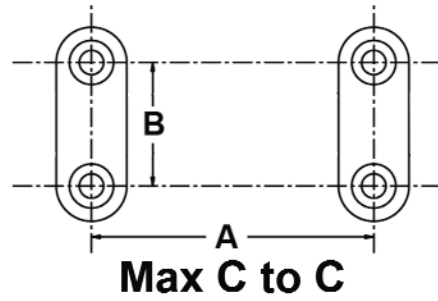


316 Stainless Steel Wood Rail Lock

Polished finish - Sold each

Part Number	Inside Dimensions	Overall Length	C.S. Screw Size	Weight, lbs.
70wrLLs1	1-1/8" x 2-11/16"	3-5/8"	#10	1.50

DECK HARDWARE



316 Stainless Steel Transom Door Latch - Polished finish - Sold each

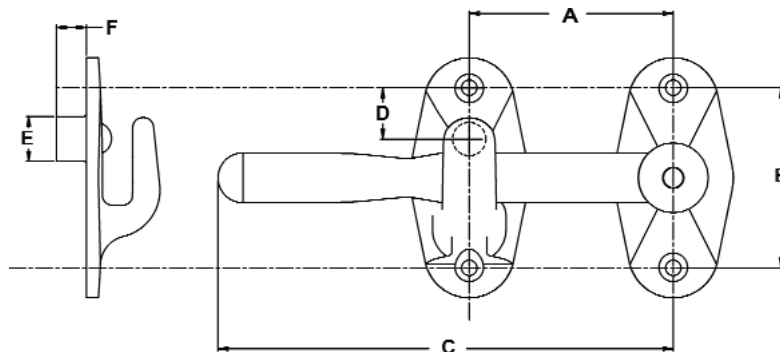
Part Number	Handle Length	Overall Height	Plate Size W x L	A	B	Screw Size	Weight, lbs.
70tdLs625	6-1/4"	1-1/4"	1-1/2" x 3"	2-1/2"	2-1/4"	#10	.75



316 Stainless Steel Transom Door Latch - Locking

Polished finish - Sold each

Part Number	A	B	C	D	E	F	Screw Size	Weight, lbs.
70tdLs625sm	2-1/2"	2-1/4"	5-3/4"	5/8"	9/16"	3/8"	#10	.75
70tdLs625lg	3"	2-3/8"	6-1/4"	7/8"	9/16"	3/8"	#10	1.20





316 Stainless Steel Step Covers - Polished finish - Sold each

Part Number	Base Size W x L	Overall Height	Opening W x L	C.S. Screw Size	Weight, lbs.
70gcstepsmallL	3-5/8" x 8-7/8"	11/16"	2-5/16" x 7-9/16"	#8	.75
70gcstepLarge	4" x 11-5/8"	1"	4-7/16" x 10-3/8"	#8	1.50
70ccbstep	3-1/2" x 8-7/16"	3/4"	2-3/16" x 7-1/8"	#8	.75



Aluminum Fly Bridge Ladder Steps - Anodized Satin finish - Sold each

Part Number	Base Size W x L	Tube Size	Tube Angle Deg.	Screw Size	Weight, lbs.
26st170088	3" x 17"	7/8"	11-1/2"	1/4"	2.30
26st170100	3" x 17"	1"	11-1/2"	1/4"	2.30



Bronze Boarding Steps - Cast finish - Sold each

Part Number	Base Size W x L	Mounting Surface	Hand Holes	Angle Deg.	Weight, lbs.
00bs600	4-3/8" x 6"	1-15/16" x 6"	1" x 4"	90	2.25
00bs700	4" x 7"	2-1/4" x 7"	1" x 4"	100	2.30

316 Stainless Steel Boarding Step - Polished finish - Sold each

Part Number	Base Size W x L	Mounting Surface	Hand Holes	Angle Deg.	Weight, lbs.
70bs600	4-3/8" x 6"	1-7/8" x 6"	1" x 4"	90	2.25



Bronze Boarding Step - Cast finish - Sold each

Part Number	Base Size W x L	Mounting Surface	Hand Holes	Angle Deg.	Weight, lbs.
00bs1100	4-5/16" x 10-3/4"	1-7/8" x 10-3/4"	1" x 4"	90	3.85

316 Stainless Steel Boarding Step - Polished finish - Sold each

Part Number	Base Size W x L	Mounting Surface	Hand Holes	Angle Deg.	Weight, lbs.
70bs1100	5" x 10-3/4"	1-7/8" x 10-3/4"	1" x 4"	90	5.10

Boarding Ladder Hardware - Complete Set

Available in polished 316 stainless steel or polished bronze
Sold in complete sets

Part Number Polished Bronze	Part Number Stainless Steel	Screw Size	Weight, lbs.
01bLh1	70bLh1	#10	3.30



A

Boarding Ladder Hardware - Component Parts

Available in polished 316 stainless steel or polished bronze - Sold in pairs

Part Number Polished Bronze	Part Number Stainless Steel	Part Description	Screw Size	Weight, lbs.
01bLb	70bLb	Bracket	#10	1.85
01bLe	70bLe	Eye	#10	.70
01bLh	70bLh	Hinge	#10	.75

Bow Eyes

Available in a cast bronze and polished 316 stainless steel -
Sold each

Part Number Plain Bronze*	Part Number Stainless Steel	Shank Length	Shank Diameter	Eye Diameter	Weight, lbs.
00be300	70be300	3"	3/8"	1"	.30
00be400	70be400	4"	3/8"	1"	.35
00be600	70be600	6"	3/8"	1"	.45
00be6005	n/a	6"	1/2"	1"	.60

* The bronze bow eyes come with a shouldered stem.



316 Stainless Steel Hand Rail Fitting - End

Polished finish - Sold each

Part Number	Overall Length	Overall Width	Overall Height	Height to Center	Tube Size	Weight, lbs.
70rLes100x	2-3/4"	15/16"	2-3/8"	1-3/4"	1"	.40



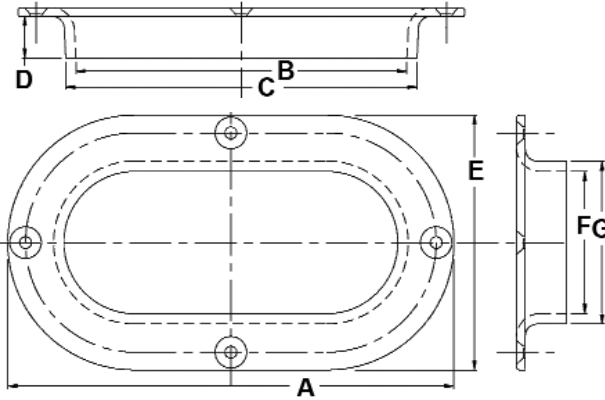
316 Stainless Steel Hand Rail Fitting - Center

Polished finish - Sold each

Part Number	Overall Length	Overall Width	Overall Height	Height to Center	Tube Size	Weight, lbs.
70rLcs100x	2-3/4"	15/16"	2-3/8"	1-3/4"	1"	.35



DECK HARDWARE

A

Bronze Hawse Pipes - Cast finish - Sold each

Part Number	A	B	C	D	E	F	G	C. S. Screw Size	Weight, lbs.
00hp0	5-3/8"	3-1/4"	3-7/8"	1-1/2"	3-1/2"	1-1/2"	2-1/8"	1/4"	1.70
00hp2	7-1/16"	4-1/2"	5"	1-7/8"	4-1/16"	1-1/2"	2"	1/4"	2.90
00hp3	9-3/8"	7"	7-7/16"	7/8"	5-5/16"	2-15/16"	3-3/8"	1/4"	2.40

316 Stainless Steel Hawse Pipes - Polished finish - Sold each

Part Number	A	B	C	D	E	F	G	C. S. Screw Size	Weight, lbs.
70hps2	6-15/16"	4-1/2"	4-7/8"	1-7/8"	3-15/16"	1-1/2"	1-7/8"	1/4"	1.20
70hps3	9-3/8"	6-15/16"	7-7/16"	7/8"	5-3/8"	2-7/8"	3-3/8"	1/4"	2.40


Bronze Hawse Pipe - Cast finish - Sold each

Part Number	A	B	C	D	E	F	G	C. S. Screw Size	Weight, lbs.
00hp1	6-1/4"	3-7/8"	4-1/4"	3/4"	3"	1-7/8"	2-1/4"	1/4"	1.20

316 Stainless Steel Hawse Pipe - Polished finish - Sold each

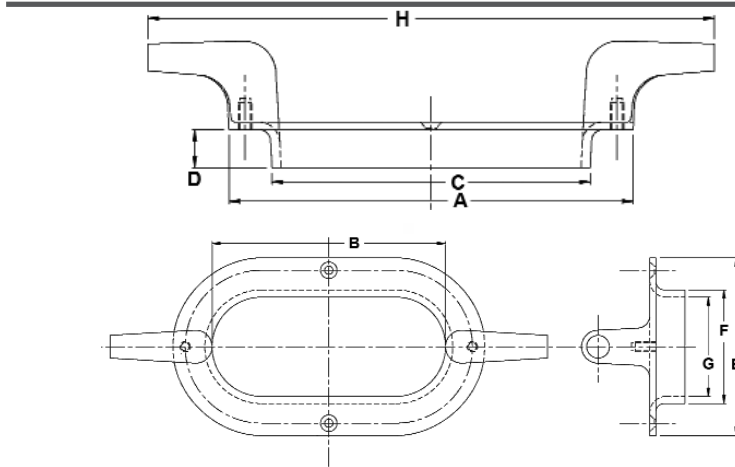
Part Number	A	B	C	D	E	F	G	C. S. Screw Size	Weight, lbs.
70hps1	6-1/16"	3-15/16"	4-1/4"	1-1/8"	3-5/16"	1-15/16"	2-1/4"	#10	1.20

316 Stainless Steel Mating Hawse Pipes

Polished finish - Sold as a set

Part Number	Outside Flange W x L	Hawse Opening W x L	Distance Between Flanges Min to Max	C.S. Screw Size	Weight, lbs.
70hps6	4" x 7"	1-9/16" x 4-9/16"	1-1/4" to 2-1/2"	#12	3.85
70hps7	5-3/4" x 9-1/2"	3" x 6-7/8"	1-5/8" to 3-1/4"	#12	7.75
70hps8	6-1/2" x 9-1/2"	3-3/4" x 6-7/8"	1-5/8" to 3-1/4"	5/16"	8.75





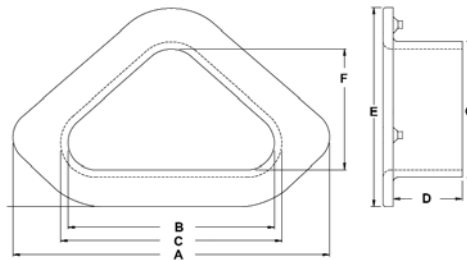
A

Bronze Cleat Hawse Pipes - Cast finish - Sold each

Part Number	A	B	C	D	E	F	G	H	C.S. Screw Size	Weight, lbs.
00hpc0	5-1/4"	3-1/4"	3-3/4"	1-1/2"	3-1/2"	2"	1-9/16"	10"	1/4"	3.30

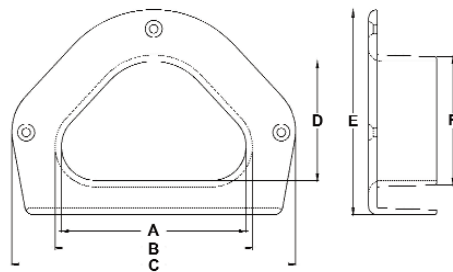
316 Stainless Steel Cleat Hawse Pipe - Polished finish - Sold each

Part Number	A	B	C	D	E	F	G	H	C.S. Screw Size	Weight, lbs.
70hpcs3	9-1/4"	7-1/8"	7-1/2"	13/16"	5-1/4"	3-5/16"	2-15/16"	14"	1/4"	3.45



316 Stainless Steel Triangular Hawse Pipe - Polished finish - Sold each

Part Number	A	B	C	D	E	F	G	Screw Size	Weight, lbs.
70hpts3	7-7/8"	5-1/4"	5-1/2"	1-3/4"	4-15/16"	3-1/16"	3-5/16"	1/4"	2.20



316 Stainless Steel Triangular Hawse Pipe w/ lip - Polished finish - Sold each

Part Number	A	B	C	D	E	F	Screw Size	Weight, lbs.
70hpts3	5-7/16"	5-25/32"	8-11/32"	3-1/2"	6"	3-3/4"	1/4"	3.60

DECK HARDWARE

A



Please specify the mark below to be stamped on the flange when ordering. If you would like a flange without a stamp "No Mark" is available.



* The "OIL" stamp is only available in 1-1/2" and 2" 316 stainless steel.

Bronze Pipe Deck Plates - Machined finish - Sold each

Each pipe deck plate is furnished with a beaded chain, cap, o-ring and key.

Part Number	Pipe Size	Shank O. D.	Length Under Flange	Flange O. D.	C. S. Screw Size	Weight, lbs.
00pdp125	1-1/4"	1-3/4"	1-5/16"	3-1/8"	#10	.70
00pdp150	1-1/2"	2-1/8"	1-5/16"	3-3/4"	#10	1.10
00pdp200	2"	2-7/8"	1-1/2"	4-5/8"	#10	2.30

316 Stainless Steel Pipe Deck Plates - Polished finish - Sold each

Each pipe deck plate is furnished with a beaded chain, cap, o-ring and key.

Part Number	Pipe Size	Shank O. D.	Length Under Flange	Flange O. D.	C. S. Screw Size	Weight, lbs.
70pdps150	1-1/2"	2-1/8"	1-5/16"	3-3/4"	#10	1.10
70pdps200	2"	2-7/8"	1-1/2"	4-5/8"	#10	2.30

Replacement Parts for Pipe Deck Plates



Keys - Sold each

Part Number	Use With Part Numbers
00pdpk150	00pdp125, 00pdp150, 70pdps125, & 70pdps150
00pdpk200	00pdp200 & 70pdps200

Caps - Sold each

Part Number	Use With Part Numbers
00pdpc125	00pdp125
00pdpc150	00pdp150
00pdpc200	00pdp200
70pdps125c	70pdps125
70pdps150c	70pdps150
70pdps200c	70pdps200

O-rings - Sold each

Part Number	Use With Part Numbers
oring125	00pdp125
oring150	00pdp150
oring200	00pdp200
oring125ss	70pdps125
oring150ss	70pdps150
oring200ss	70pdps200

DECK HARDWARE

Bronze Deck Plates - Machined finish - Sold each

Part Number	Opening I. D.	Hub O. D.	Length Under Flange	Flange O. D.	C. S. Screw Size	Weight, lbs.
00dp400	4"	4-3/8"	5/8"	5-3/4"	#12	3.00
00dp500	5"	5-3/8"	3/4"	7-3/8"	#12	4.00
00dp600	6"	6-1/2"	3/4"	8-1/8"	#12	5.00
00dp800	8"	8-1/4"	1"	10-1/4"	3/16"	9.00


A

Replacement Parts for Deck Plates

Keys - Sold each

Part Number	Use With Part Numbers
00dp400k	00dp400
00dp500k	00dp500
00dp800k	00dp600 & 00dp800

Caps - Sold each

Part Number	Use With Part Numbers
00dp400c	00dp400
00dp500c	00dp500
00dp600c	00dp600
00dp800c	00dp800

Bronze Oval Rope Deck Plate - w/ Chain

Cast finish - Sold each

Part Number	Flange W x L	Pipe Opening	Hub W x L	Length Under Flange	C. S. Screw Size	Weight, lbs.
00ordp1	4" x 5-1/4"	2-1/2" x 3-3/4"	3" x 4-1/4"	3/4"	#8	1.90



316 Stainless Steel Oval Rope Deck Plate - w/ Chain

Polished finish - Sold each

Part Number	Flange W x L	Pipe Opening	Hub W x L	Length Under Flange	C. S. Screw Size	Weight, lbs.
70ordps1	4-1/8" x 5-1/4"	2-3/8" x 3-5/8"	2-7/8" x 4-1/8"	3/4"	#8	2.00

Replacement Caps for Oval Rope Deck Plates

Complete w/ chain - Sold each

Part Number	Use With Part Numbers
00ordp1c	00ordp1
70ordps1c	70ordps1

316 Stainless Steel Oval Rope Deck Plate

Complete w/ spring loaded hinged top - Polished finish - Sold each

Part Number	Flange W x L	Pipe Opening	Hub W x L	Length Under Flange	C. S. Screw Size	Weight, lbs.
70ordps2	4" x 5-1/2"	2-7/16" x 3-3/4"	2-3/4" x 4-1/8"	3/4"	#8	1.90


DECK HARDWARE

A



Bronze Rope Deck Plates - Cast finish - Sold each

Part Number	Flange O. D.	Hub O. D.	Length Under Flange	Overall Height	Max Rope Size	C. S. Screw Size	Weight, lbs.
00rdp63	3"	1-9/16"	3/8"	2"	5/8"	#10	.56
00rdp100	4"	2-1/8"	1"	3-1/4"	1"	#10	1.47

Replacement Caps for Rope Deck Plates

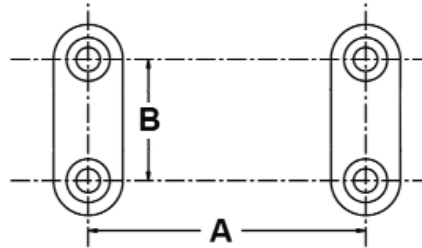
Complete w/ chain - Sold each

Part Number	Use With Part Numbers
00rdp63c	00rdp63
00rdp100c	00rdp100



316 Stainless Steel Engine Air Intake - Polished finish - Sold each

Part Number	Overall Length	Overall Height	Overall Width	C.S. Screw Size	Weight, lbs.
70gcbearcLaw	8-3/4"	1-1/2"	5-1/2"	#6	1.80



Bronze Stern Lifting Handle

Cast finish - Sold each

Part Number	Overall Length	Overall Height	Base Size W x L	A	B	C.S. Screw Size	Weight, lbs.
00sLh1	5-3/4"	1-3/4"	7/8" x 1-3/4"	4-7/8"	1"	#10	.50

316 Stainless Steel Stern Lifting Handle

Polished finish - Sold each

Part Number	Overall Length	Overall Height	Base Size W x L	A	B	C.S. Screw Size	Weight, lbs.
70sLh1	5-3/4"	1-3/4"	1" x 1-3/4"	4-15/16"	15/16"	#10	.50

Cockpit Scupper w/ Hose End- Bronze Top

Cast Finish - Sold Each

Part Number	Strainer O. D.	Overall Height	Hose O. D.	C.S. Screw Size	Weight, lbs.
00cps438	4-1/4"	4-1/8"	2-3/8"	#8	3.00



A

Cockpit Scupper w/ Hose End - 316 Stainless Steel Top

Polished top & cast body - Sold each

Part Number	Strainer O. D.	Overall Height	Hose O. D.	C.S. Screw Size	Weight, lbs.
70cps438	4-1/4"	4-1/8"	2-3/8"	#8	3.00

Cockpit Scupper w/ Hose End - 316 Stainless Steel Top

Polished top & cast body - Sold each

Part Number	Strainer O. D.	Overall Height	Hose O. D.	C.S. Screw Size	Weight, lbs.
00cps325	3-1/4"	2-3/8"	1"	#8	1.00



Cockpit Scupper - 316 Stainless Steel Top

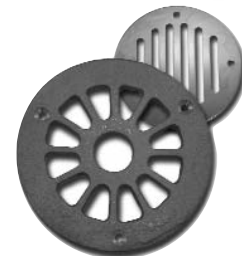
Polished top & cast body - Sold each

Part Number	Strainer O. D.	Overall Height	Thread Size	C.S. Screw Size	Weight, lbs.
00cps350	3-1/2"	1"	2" N.P.T.	#8	.50



Replacement Tops for Cockpit Scuppers - Sold each

Part Number	Top O. D.	Material	Replacement for Part Numbers	Weight, lbs.
70cps325t	3-1/4"	Polished S.S.	00cps325	.10
70Lv350	3-1/4"	Polished S.S.	00cps350	.10
70cps438t	4-1/4"	Polished S.S.	70cps438	.40
00cps438t	4-1/4"	Cast Bronze	00cps438	.75



316 Stainless Steel Scupper Plate - Polished finish - Sold each

Part Number	Overall Width	Overall Length	Overall Height	C.S. Screw Size	Weight, lbs.
70scupper	6-5/8"	4-5/8"	1/4"	1/4"	1.50



DECK HARDWARE



Drivetrain

B

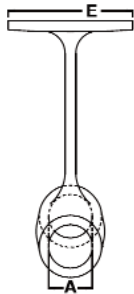
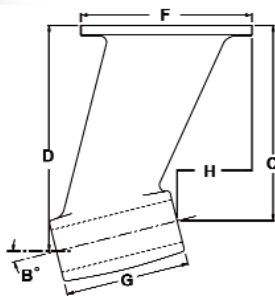
Main Struts.....	18-19	Packing Boxes w/ Gland.....	33-34
Port & Starboard Struts.....	20	Packing Boxes w/ Spud.....	35-37
Vee Struts.....	21	Packing Box Studs.....	38
Intermediate Struts.....	22	Packing Box Wrenches.....	38
Sailboat Struts.....	23	Ski Fins.....	38
Universal Struts.....	23	Thru Hull Style Shaft Logs.....	39
Skeg Strut.....	23	Offset Shaft Logs.....	40
Adjustable Struts.....	24-25	Angled Shaft Logs.....	41
Sleeve Bearings.....	26-27	Oval Base Shaft Logs.....	42
Strut Bolts.....	28	Rectangular Base Shaft Logs.....	42
Albin Stern Bearing Housings.....	29	Square Base Shaft Logs.....	43
Stern Bearing Housings.....	30	Triangular Base Shaft Logs.....	43
Sailboat Shaft Logs.....	31	Shaft Packing.....	44
Stern Tube Packing Boxes.....	31	Packing Extractors.....	44
Packing Boxes w/ Flange.....	32		

In order to ensure proper function of products, it is strongly recommended that each part is inspected and serviced monthly. Inspection should include, but not be limited to, visible damage, excessive wear, and proper bonding. It is also recommended that a naval engineer is consulted for proper application of hardware. Failure to properly maintain your product may result in catastrophic failure and/or loss of life.

Bronze Main Struts

All struts come bored* to accept a shaft bearing with setscrews installed - Sold each

Part Number	Bore Size (A)	Shaft Ang. (B Deg.)	Fwd. Drop (C)	Aft. Drop (D)	Base Width (E)	Base Len. (F)	Barrel Len. (G)	Offset (H)	Weight, lbs.
ms1 125	1-1/4"	12	5-1/16"	6-3/32"	3-3/8"	5-3/4"	5"	1-5/16"	5.00
ms2 200	2"	12	7-3/4"	8-3/4"	4-5/8"	6-1/4"	5"	1-23/32"	11.00
ms3b2375	2-3/8"	7-1/2	11-3/4"	12-1/2"	8"	8-1/4"	5-5/8"	2-1/8"	30.00
ms4 200	2"	21	5-1/4"	7-1/16"	4-7/8"	6"	4-7/8"	0"	11.00
ms5 200	2"	11	8-31/32"	9-15/16"	7"	7"	5"	7"	19.00
ms6 2375	2-3/8"	10-1/2	10-3/4"	11-25/32"	7-3/4"	8-1/4"	5-5/8"	4-3/32"	29.00
ms7 175	1-3/4"	17	6-3/8"	7-13/16"	6"	9"	4-7/8"	4-3/16"	10.00
ms8 150	1-1/2"	12	6-15/16"	7-15/16"	4"	6"	4-3/4"	5/8"	8.00
ms9 200	2"	14	8-15/16"	10-5/16"	6-1/4"	6-3/4"	5-5/8"	2-7/16"	18.00
ms10 150	1-1/2"	19	5-5/8"	6-29/32"	3-1/4"	5-1/2"	4"	3-3/32"	7.00
ms10x200bh	2"	14	6-7/16"	7-5/8"	5"	6"	5"	1-9/16"	9.00
ms10xL200b	2"	15	7-7/16"	8-11/16"	5"	6"	5"	1-11/16"	10.00
ms10xLw200	2"	14	8-13/32"	9-19/32"	5"	6"	5"	1-3/4"	11.00
ms12 1625	1-5/8"	13	6-13/16"	7-13/16"	4-3/8"	7-1/2"	4-1/2"	2-11/16"	9.00
ms14 150	1-1/2"	11-1/2	6-21/32"	7-1/16"	3-5/16"	5-7/8"	4"	2-1/4"	7.00
ms15 200	2"	13	9-9/16"	10-3/4"	5-3/4"	7"	5-1/4"	-1/16"	22.00
ms15 2375	2-3/8"	13	9-7/32"	10-25/32"	5-3/4"	7"	7"	-1-3/4"	19.00
ms16 200	2"	23	7-7/8"	9-25/32"	6-1/4"	9-1/4"	4-7/8"	2-7/8"	18.00
ms19 150	1-1/2"	15	9-9/16"	10-7/8"	5-3/4"	8"	5"	6-11/16"	15.00
ms20 150	1-1/2"	16-1/2	7-1/2"	8-21/32"	4-7/8"	8"	5"	2-3/8"	14.00
ms21 175	1-3/4"	14-1/2	8-23/32"	10-1/16"	5"	6-5/8"	5"	1-13/16"	13.00
ms22 150	1-1/2"	15	6-1/2"	7-9/16"	3-1/2"	6"	4"	2-1/2"	7.00
ms23 200	2"	11-1/2	12-13/32"	13-7/16"	6"	8-1/2"	5-1/2"	3-3/8"	20.00
ms23 2375	2-3/8"	11	12-1/8"	13-7/16"	6"	8-1/2"	7"	1-7/8"	22.00
ms25 1625	1-5/8"	18-1/2	9-5/8"	10-5/32"	4"	5-3/8"	4-1/4"	1-3/16"	9.00
ms27 1625	1-5/8"	19	5-3/4"	7-3/32"	4"	7"	4"	3-3/16"	8.00
ms28 175	1-3/4"	14	9-31/32"	11-7/32"	5"	8"	5"	3-3/16"	12.00
ms29 150	1-1/2"	16-1/2	8-5/16"	9-13/16"	5"	7"	5"	2-5/8"	13.00
ms30150 bh	1-1/2"	17-1/2	6-15/16"	8-5/32"	5"	7-1/2"	4"	2-9/16"	10.00
ms31 175	1-3/4"	17-1/2	8-11/32"	9-27/32"	5"	8"	5"	3-5/16"	13.00



Custom Castings:

We also specialize in custom castings. If you can't find the strut you are looking for please find the reference drawings in the back of this catalog, fill in the blanks, and send it back to us by email or fax. We will find a strut that best fits your application or quote you on a custom casting.

* Shaft bearings and baseholes can be installed upon request.

B

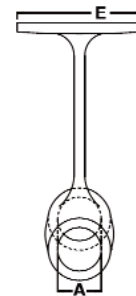
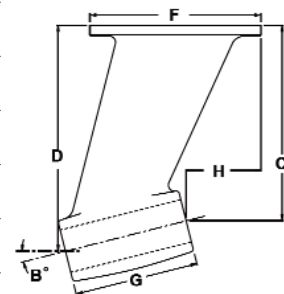
DRIVETRAIN

Bronze Main Struts

All struts come bored* to accept a shaft bearing with setscrews installed - Sold each

Part Number	Bore Size (A)	Shaft Ang. (B Deg.)	Fwd. Drop (C)	Aft. Drop (D)	Base Width (E)	Base Len. (F)	Barrel Len. (G)	Offset (H)	Weight, lbs.
ms32 200	2"	10	11-7/16"	12-5/16"	6-1/2"	8"	5"	5-5/16"	20.00
ms33 2375bh	2-3/8"	8-1/2	12-21/32"	13-17/32"	8"	9"	6"	6-7/8"	40.00
ms34 200bh	2"	12	10-29/32"	12-3/64"	6"	8"	5-1/2"	5-1/8"	20.00
ms36 150bh	1-1/2"	33-1/2	6-1/4"	9-1/4"	4"	5"	5-1/4"	5/8"	8.00
ms39 200	2"	11	8-3/4"	9-13/16"	5"	6-7/8"	5-1/2"	9/16"	15.00
ms42 2375	2-3/8"	14	10-31/32"	12-11/32"	7-3/4"	8-1/4"	5-11/16"	4-3/8"	33.00
ms43 2000	2"	15-1/2	8-9/16"	9-15/16"	5-1/4"	10-1/8"	5"	5-5/8"	17.00
ms44 200	2"	12-1/2	8-9/16"	9-11/16"	5"	9-1/4"	5-1/4"	1-1/8"	19.00
ms46 2375	2-3/8"	12	14"	15-1/8"	8"	9-1/2"	5-1/2"	5"	43.00
ms47 2375	2-3/8"	10	14-3/32"	15-3/8"	10"	15-1/2"	7-1/4"	8"	78.00
ms48 3375	3-3/8"	12	16-1/8"	18-3/32"	12"	17"	10"	10-1/4"	192.00
ms49 175	1-3/4"	14	9-5/16"	10-1/2"	5"	7"	5"	2-15/32"	16.00
ms50 175	1-3/4"	14	7-23/32"	9-1/8"	5"	6-7/8"	5"	3"	20.00
ms51 2375	2-3/8"	13	12-5/16"	13-29/32"	7-3/8"	9"	7"	4"	39.00
ms53 175	1-3/4"	19	8"	9-23/32"	4-1/2"	8"	5-1/2"	4-3/16"	15.00
ms54 2625	2-5/8"	15	12"	13-13/16"	6-1/2"	10-1/4"	7-1/8"	3-1/2"	41.00
ms56 1625	1-5/8"	16-1/2	7-3/8"	9-3/16"	3-7/8"	6-1/2"	4-1/2"	-3/8"	10.00
ms57 1625	1-5/8"	18-1/2	7-1/8"	8-7/16"	3-7/8"	5-1/2"	4-1/8"	-1"	14.00
ms59 125	1-1/4"	15	6-11/16"	7-3/4"	3-1/2"	6"	4"	3-1/8"	6.00
ms60 125	1-1/4"	18	5-25/32"	6-31/32"	3-1/2"	6"	3-7/8"	3-1/4"	5.00
ms61 125	1-1/4"	16	6-3/8"	7-17/32"	3-1/2"	6"	4-1/8"	3-1/8"	6.00
ms62 125	1-1/4"	15-1/2	7-9/16"	8-5/16"	4"	6"	4"	2-3/4"	7.00
ms63 175	1-3/4"	11-1/2	8-15/64"	9-7/16"	4-1/2"	8"	5"	4-13/16"	13.00
ms67 2375	2-3/8"	12	3-13/4"	5-1/32"	4-1/4"	6-1/8"	6"	-1/16"	10.00
ms74 175	1-3/4"	14-1/2	10-1/16"	11-5/16"	5-3/4"	11-1/2"	5"	8-9/32"	21.00
ms75 175	1-3/4"	14-1/2	9-7/32"	10-15/32"	5-3/4"	11-1/2"	5"	8-9/32"	15.00
ms76 200	2"	15	9-17/32"	10-27/32"	6"	8"	5"	5-29/32"	22.00
ms77 175	1-3/4"	12-1/2	7-3/4"	8-27/32"	5-1/2"	12-1/8"	5"	9-1/2"	19.00

* Shaft bearings and baseholes can be installed upon request.



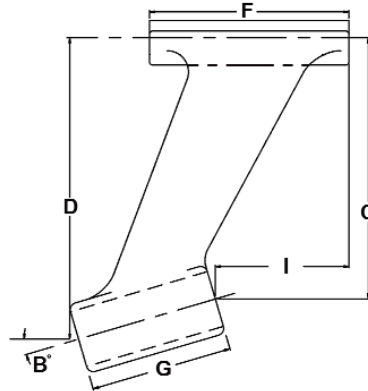
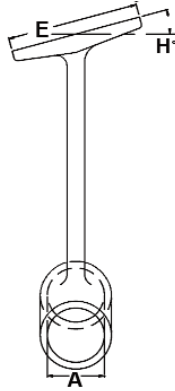
Custom Castings:

We also specialize in custom castings. If you can't find the strut you are looking for please find the reference drawings in the back of this catalog, fill in the blanks, and send it back to us by email or fax. We will find a strut that best fits your application or quote you on a custom casting.

B

DRIVETRAIN

B



Bronze Main Struts - Port & Starboard

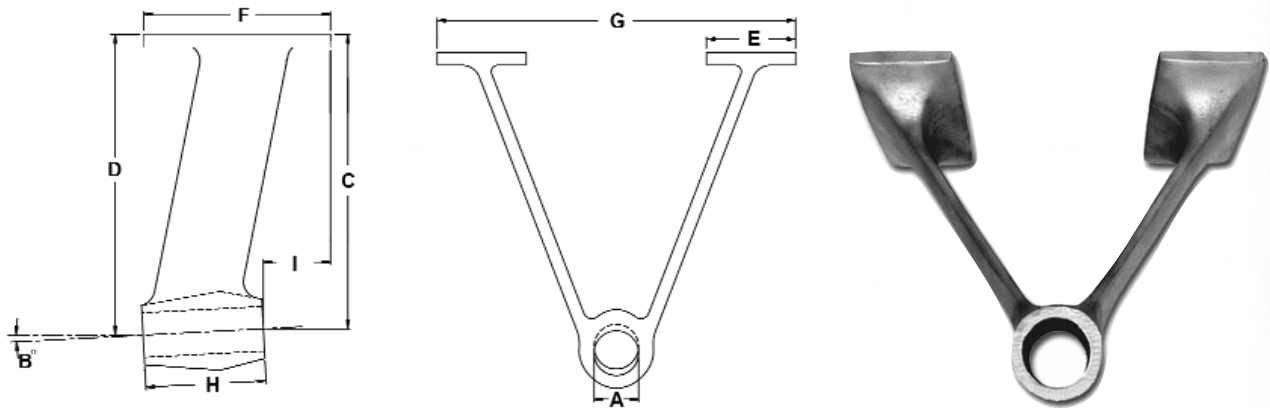
All struts come bored* to accept a shaft bearing with setscrews installed - Sold each

Part Number Port Side	Part Number Star. Side	Bore Size (A)	Shaft Ang. Fwd. (B Deg.)	Drop (C)	Aft Drop (D)	Base Width (E)	Base Len. (F)	Barrel Len. (G)	Base Ang. (H Deg.)	Offset (I)	Weight, lbs.
ms1p&sport	ms1p&ssstar	1-3/4"	14	8-17/32"	10"	5"	6-3/4"	5"	6-1/4	1-3/16"	11.00
ms4p&sport	ms4p&ssstar	2"	16	9-5/32"	10-9/16"	4-5/8"	7"	5"	15	4-11/16"	14.00
ms5p&sport	ms5p&ssstar	2-3/8"	11-1/2	11-7/32"	12-5/16"	6"	8"	5-1/2"	12	7/8"	22.00
ms6p&sport	ms6p&ssstar	1-3/4"	15	6-7/8"	8-5/32"	4-3/4"	5-7/8"	5"	15	23/32"	10.00
ms7p&sport	ms7p&ssstar	2"	13	10-25/32"	11-15/16"	5"	7"	5"	14	2-5/16"	20.00
ms8p&sport	ms8p&ssstar	1-3/4"	14	8-1/2"	9-3/4"	5"	7"	5-1/8"	16	3"	17.00
ms9p&sport	ms9p&ssstar	2"	13	11-7/32"	12-17/32"	7"	8"	6"	15	3-15/16"	32.00
ms10p&spor	ms10p&sssta	2-5/8"	15	10-7/32"	11-13/16"	6-3/4"	8-3/4"	6"	14-1/2	2-1/2"	31.00
ms15p&spor	ms15p&sssta	2-3/8"	16	9-3/4"	12"	6"	11"	8-1/4"	18	4-1/2"	35.00
ms16p&spor	ms16p&sssta	2-5/8"	15	10-11/16"	12-7/8"	5-7/8"	11"	8-1/4"	14	4-1/4"	33.00
ms17p&spor	ms17p&sssta	2-5/8"	10-1/2	14-7/16"	16-3/32"	7"	12"	9"	16-1/2	4-15/16"	69.00
ms18p&spor	ms18p&sssta	2-3/8"	14-1/2	9-31/32"	11-5/8"	5"	9"	6-9/16"	16-1/2	3-7/16"	23.00
ms19p&spor	ms19p&sssta	3"	13	11-5/8"	13-19/32"	7"	12-1/4"	8-3/4"	13	4-1/2"	48.00
ms20p&spor	ms20p&sssta	2"	13	8-11/32"	9-5/8"	4-7/8"	9"	5-5/8"	17	4-3/8"	14.00
ms22p&spor	ms22p&sssta	3-1/8"	11	14-7/8"	17-1/16"	7"	12-3/16"	11"	16-1/2	5-13/16"	82.00
ms27p&spor	ms27p&sssta	1-1/2"	14	8-5/16"	9-17/32"	6"	6-3/4"	5"	5"	3-13/16"	12.00
ms28p&spor	ms28p&sssta	2"	14	9-3/8"	10-7/8"	6"	9"	6-1/4"	15	4-13/16"	26.00
ms29p&spor	ms29p&sssta	1-1/2"	14	7-3/4"	8-23/32"	4-1/2"	5-9/16"	4"	17	2-13/16"	8.00
ms31p&spor	ms31p&sssta	2-3/8"	14-1/2	10-1/4"	11-5/8"	6"	9-7/16"	5-1/2"	21	7-7/16"	25.00
ms34p&spor	ms34p&sssta	2"	15	6-31/32"	8-1/4"	5"	6"	5"	19	2-1/2"	11.00
ms35p&spor	ms35p&sssta	2"	13-1/2	9-25/32"	11-7/32"	6"	10-25/32"	6"	20	5-15/32"	25.00
ms36p&spor	ms36p&sssta	2-1/2"	15-1/2	8-21/32"	10-25/32"	6"	11"	8"	17-3/4	6-7/8"	36.50

* Shaft bearings and baseholes can be installed upon request.

Custom Castings:

We also specialize in custom castings. If you can't find the strut you are looking for please find the reference drawings in the back of this catalog, fill in the blanks, and send it back to us by email or fax. We will find a strut that best fits your application or quote you on a custom casting.



Bronze Vee Struts

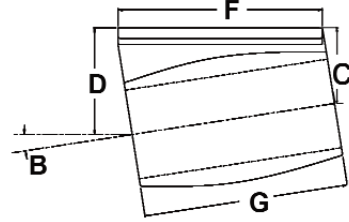
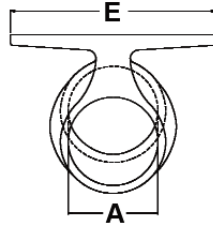
All struts come bored* to accept a shaft bearing with setscrews installed - Sold each

Part Number	Bore Size (A)	Shaft Ang. (B Deg.)	Fwd. Drop (C)	Aft Drop (D)	Base Width (E)	Base Len. (F)	Outside Pads (G)	Barrel Len. (H)	Offset (I)	Weight, lbs.
vs1 200	2"	12	9"	10-1/4"	3-1/2"	7-5/8"	13-1/4"	6"	1-5/8"	32.00
vs4 2375	2-3/8"	6-1/2	12-5/16"	13-1/4"	4-1/2"	8"	21"	8"	1/4"	53.00
vs4 2625	2-5/8"	6-1/2	12-5/16"	13-1/4"	4-1/2"	8"	21"	8"	1/4"	53.00
vs9 3125	3-1/8"	6	16-5/32"	17-5/32"	6"	10"	24-1/2"	10"	3-1/16"	80.00
vs16 200	2"	14-1/2	10-3/4"	12-1/4"	3"	8-5/8"	17-1/8"	6"	2-1/8"	40.00
vs16 2625	2-5/8"	14-1/2	10-3/4"	12-1/4"	3"	8-5/8"	17-1/8"	6"	2-1/8"	40.00
vs17 2375	2-3/8"	12-1/2	11-5/8"	13-1/8"	5"	8"	20-3/4"	7"	2-11/16"	48.00
vs17x 300	3"	13	12-1/2"	14-1/8"	5-1/8"	8"	21"	7"	2-11/16"	58.00
vs23 2625	2-5/8"	10	13-29/32"	14-31/32"	5-5/8"	9-7/8"	24"	6-1/4"	3-7/8"	54.00
vs27 175	1-3/4"	15	8-31/32"	10-9/32"	3-1/8"	4"	13-3/4"	5"	-3/4"	13.00
vs27x 200	2"	13	6-29/32"	8-1/16"	3-3/16"	4"	13-7/8"	5"	1-1/16"	17.00
vs31 3000	3"	9	16-3/32"	17-9/16"	4"	14"	23-3/4"	9"	2-9/16"	103.00
vs31 3125	3-1/8"	9	16-3/32"	17-9/16"	4"	14"	23-3/4"	9"	2-9/16"	103.00
vs33 2625	2-5/8"	8	16-21/32"	17-25/32"	4-1/8"	8-3/4"	22"	8-3/4"	5/16"	63.00
vs36 200	2"	13	11-5/32"	12-9/32"	2"	6-7/16"	19-1/4"	5"	2-1/16"	15.00
vs37 2125	2-1/8"	8	13-7/16"	14-1/4"	2"	8"	21"	5-1/2"	3-3/8"	23.00
vs39 2625	2-5/8"	11	12-11/32"	13-3/4"	2"	10"	17-1/8"	7"	3-9/16"	35.00
vs51 300	3"	11	14-9/16"	16-5/16"	4"	14"	23-3/4"	9"	2-3/4"	125.00

* Shaft bearings and baseholes can be installed upon request.

Custom Castings:

We also specialize in custom castings. If you can't find the strut you are looking for please find the reference drawings in the back of this catalog, fill in the blanks, and send it back to us by email or fax. We will find a strut that best fits your application or quote you on a custom casting.



Bronze Intermediate Struts - Full Size

All struts come bored* to accept a shaft bearing with setscrews installed - Sold each



Part Number	Bore Size (A)	Shaft Ang. (B Deg.)	Fwd. Drop (C)	Aft. Drop (D)	Base Width (E)	Base Len. (F)	Barrel Len. (G)	Weight, lbs.
is2 175	1-3/4"	9	4-3/4"	5-5/8"	4-7/8"	6"	5-5/8"	12.00
is3 2375	2-3/8"	11	2-1/8"	3-1/4"	5"	6-1/2"	6"	12.00
is3h 2625	2-5/8"	11	2-9/32"	3-3/8"	5"	6-1/2"	6"	14.00
is4 200	2"	8-1/2	3-29/32"	4-3/4"	5"	6"	5-5/8"	11.00
is5 2125	2-1/8"	11	2-1/4"	3-1/4"	3"	5"	5"	6.00
is10 2625	2-5/8"	7	2-3/8"	3-1/8"	6"	6"	6"	11.00
is11 2625	2-5/8"	9	2-1/4"	3-1/4"	6"	6"	6"	15.00
is12 2625	2-5/8"	7-1/2	2-3/16"	3-1/8"	6-1/2"	7-1/4"	7"	11.00
is13 200	2"	9	4"	4-7/8"	4-1/4"	6-1/8"	5"	8.00
is14 3125	3-1/8"	6	3-31/32"	4-31/32"	8"	12"	9"	39.00
is18 2375	2-3/8"	12	3-3/4"	5-1/16"	4-1/4"	6-1/8"	6"	10.00

* Shaft bearings and baseholes can be installed upon request.

Bronze Intermediate Struts - Half Size

All struts come bored* to accept a shaft bearing with setscrews installed - Sold each

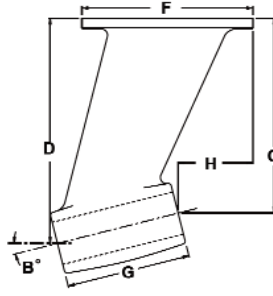
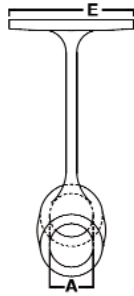


Part Number	Bore Size (A)	Shaft Ang. (B Deg.)	Fwd. Drop (C)	Aft. Drop (D)	Base Width (E)	Base Len. (F)	Barrel Len. (G)	Weight, lbs.
is1x 200	2"	9-1/2	1-5/8"	2-1/8"	2-5/8"	5-7/8"	2-5/8"	4.00
is2x 175	1-3/4"	11	2-1/4"	2-23/32"	3-3/8"	2-7/8"	2-1/2"	4.00
is3x 2375	2-3/8"	12	2-5/8"	3-3/16"	3-1/4"	4"	2-3/4"	6.00
is7x 200	2"	14	1-5/8"	2-7/32"	4-5/8"	3-1/8"	2-7/16"	3.00

* Shaft bearings and baseholes can be installed upon request.

Custom Castings:

We also specialize in custom castings. If you can't find the strut you are looking for please find the reference drawings in the back of this catalog, fill in the blanks, and send it back to us by email or fax. We will find a strut that best fits your application or quote you on a custom casting.


B

Bronze Sailboat Struts

All struts come bored* to accept a shaft bearing with setscrews installed - Sold each

Part Number	Bore Size (A)	Shaft Ang. (B Deg.)	Fwd. Drop (C)	Aft. Drop (D)	Base Width (E)	Base Len. (F)	Barrel Len. (G)	Offset (H)	Weight, lbs.
mss1 125	1-1/4"	12	5-7/8"	6-11/16"	3-3/8"	5-1/4"	4"	13/16"	4.30
mss2 125	1-1/4"	18	4-7/8"	6-1/8"	3-1/2"	5-1/2"	4"	3"	4.00
mss3 125	1-1/4"	18-1/2	4-3/4"	6-1/32"	3-3/4"	6-1/2"	4"	2-11/16"	4.00
mss4 125	1-1/4"	20	6-3/8"	7-3/4"	4-1/8"	5-7/8"	4"	2-1/4"	8.00

* Shaft bearings and baseholes can be installed upon request.

Bronze Universal Sailboat Struts

All struts come bored* to accept a shaft bearing with setscrews installed
Sold each

Part Number	Bore Size	Shaft Angle, Deg.	Barrel Length	Web Width	Overall Length	Weight, lbs.
mssu1125bo	1-1/4"	16	4-1/8"	3-1/2"	16"	10.00
mssu1150bo	1-1/2"	16	4-1/8"	3-1/2"	16"	10.00

* Shaft bearings and baseholes can be installed upon request.



Bronze Skeg Strut

All struts come bored* to accept a shaft bearing with setscrews installed
Sold each

Part Number	Bore Size	Shaft Angle, Deg.	Forward Drop	Aft Drop	Base Width	Base Length	Barrel Length	Overall Length	Offset	Weight, lbs.
10ss12	2-3/8"	14-1/2	10-1/8"	11-7/8"	6"	7-3/4"	7"	25-1/2"	2-13/16"	5.00

* Shaft bearings and baseholes can be installed upon request.



Custom Castings:

We also specialize in custom castings. If you can't find the strut you are looking for please find the reference drawings in the back of this catalog, fill in the blanks, and send it back to us by email or fax. We will find a strut that best fits your application or quote you on a custom casting.

B



Bronze Adjustable Struts - Swivel Type

All struts come bored* to accept a shaft bearing and come complete w/ bolts, nuts & setscrews installed - Sold each

Part Number	Bore Size	Max Drop	Base Width	Base Length	Barrel Length	Weight, lbs.
as1 150	1-1/2"	5-5/8"	3"	5-1/2"	4"	6.00
as1 175	1-3/4"	5-5/8"	3"	5-1/2"	4"	6.00
as2 150	1-1/2"	7-13/16"	3-1/2"	6-1/2"	5"	11.00
as2 175	1-3/4"	7-13/16"	3-1/2"	6-1/2"	5"	11.00
as2x 150	1-1/2"	9-3/8"	3-1/2"	6-1/2"	5"	12.00
as2x 175	1-3/4"	9-3/8"	3-1/2"	6-1/2"	5"	12.00

* Shaft bearings and baseholes can be installed upon request.

Replacement Parts for Adjustable Struts - Swivel Type

Bases - Sold each

Part Number	Use With Part Numbers
as1 base	as1 150 & as1 175
as2 base	as2 150, as2 175, as2x 150 & as2x 175

Barrels - Sold each

Part Number	Use With Part Numbers
as1barr 150	as1 150
as1barr 175	as1 175
as2barr 150	as2 150
as2barr 175	as2 175
as2xbarr 150	as2x 150
as2xbarr 175	as2x 175



Bronze Adjustable Strut - Cut-Off Type

All struts come bored* to accept a shaft bearing and come complete w/ bolts, nuts & setscrews installed - Sold each

Part Number	Bore Size	Max Drop	Base Width	Base Length	Barrel Length	Weight, lbs.
as5 150	1-1/2"	7"	3-1/4"	5-7/16"	5"	9.00

* Shaft bearings and baseholes can be installed upon request.

Replacement Parts for Adjustable Strut - Cut-Off Type

Base - Sold each

Part Number	Use With Part Number
as5 base	as5 150

Barrel - Sold each

Part Number	Use With Part Number
as5barr 150	as5 150

Custom Castings:

We also specialize in custom castings. If you can't find the strut you are looking for please find the reference drawings in the back of this catalog, fill in the blanks, and send it back to us by email or fax. We will find a strut that best fits your application or quote you on a custom casting.

Bronze Adjustable Strut - Cut-Off Type

All struts come bored* to accept a shaft bearing and come complete w/ bolts, nuts & setscrews installed - Sold each

Part Number	Bore Size	Max Drop	Base Width	Base Length	Barrel Length	Weight, lbs.
as3 200	2"	13-3/4"	5"	6"	5"	5.00

* Shaft bearings and baseholes can be installed upon request.



B

Replacement Parts for Adjustable Strut - Cut-Off Type

Base - Sold each

Part Number	Use With Part Numbers
as3 base	as3 200 & as3x 200

Barrel - Sold each

Part Number	Use With Part Numbers
as3barr 200	as3 200

Bronze Adjustable Skeg Strut - Cut-Off Type

All struts come bored* to accept a shaft bearing and come complete w/ bolts, nuts & setscrews installed - Sold each

Part Number	Bore Size	Max Drop	Base Width	Base Length	Barrel Length	Foot Size W x L	Weight, lbs.
as4 200	2"	13-3/4"	5"	6"	6"	2-7/16" x 7"	20.00

* Shaft bearings and base holes can be installed upon request.



Replacement Parts for Adjustable Strut - Cut-Off Type

Base - Sold each

Part Number	Use With Part Number
as3 base	as4 200

Barrel - Sold each

Part Number	Use With Part Number
as4barr 200	as4 200

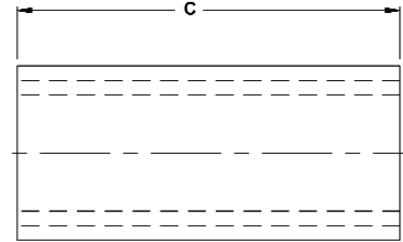
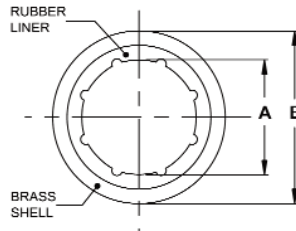
Foot - Sold each

Part Number	Use With Part Number
as4 foot	as4 200

Custom Castings:

We also specialize in custom castings. If you can't find the strut you are looking for please find the reference drawings in the back of this catalog, fill in the blanks, and send it back to us by email or fax. We will find a strut that best fits your application or quote you on a custom casting.

B



Naval Brass Sleeve Bearings - For Struts or Stern Tubes - Sold each*

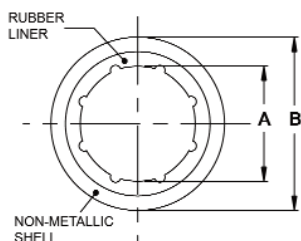
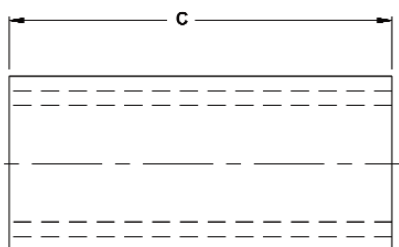
Duramax™ Part Number	Trellex Morse™ Part Number	I. D. (A)	O.D. (B)	Length (C)	Weight, lbs.
able	albacore	3/4"	1-1/4"	3"	.50
acid	blenny	7/8"	1-1/4"	3-1/2"	.40
apex	barracuda	7/8"	1-3/8"	3-1/2"	.70
atom	bass	7/8"	1-1/2"	3-1/2"	.80
back	betta	1"	1-1/4"	3"	.40
bade	blackfish	1"	1-1/4"	4"	.60
bait	bloater	1"	1-3/8"	4"	.50
bale	bonito	1"	1-1/2"	4"	.70
band	broadbill	1"	1-5/8"	4"	.90
base	bullhead	1"	2"	4"	1.30
beam	cama	1-1/8"	1-1/2"	4-1/2"	.60
belt	carp	1-1/8"	1-5/8"	4-1/2"	1.00
bend	calfish	1-1/8"	1-3/4"	4-1/2"	1.10
bill	chobie	1-1/8"	2"	4-1/2"	1.40
bind	chogset	1-1/4"	1-1/2"	5"	.60
bird	chub	1-1/4"	1-3/4"	5"	1.20
bite	cod	1-1/4"	2"	5"	1.50
blow	croaker	1-1/4"	2-1/8"	5"	1.70
boat	devilfish	1-3/8"	1-7/8"	5-1/2"	1.40
bold	dogfish	1-3/8"	2"	5-1/2"	1.50
bond	dolphin	1-3/8"	2-1/8"	5-1/2"	1.80
boot	eel	1-3/8"	2-3/8"	5-1/2"	1.80
n/a	flamen	1-1/2"	2"	4-3/8"	1.50
boss	flatfish	1-1/2"	2"	6"	1.60
brad	flounder	1-1/2"	2-3/8"	6"	2.20
brew	gar	1-5/8"	2-1/8"	6-1/2"	2.00
brim	grayback	1-5/8"	2-5/8"	6-1/2"	2.60
brow	grouper	1-3/4"	2-3/8"	7"	2.30
buck	haddo	1-3/4"	2-5/8"	7"	2.80
bulb	hake	1-7/8"	2-5/8"	7-1/2"	2.80

Duramax™ Part Number	Trellex Morse™ Part Number	I. D. (A)	O. D. (B)	Length (C)	Weight, lbs.
bull	halibut	1-7/8"	2-15/16"	7-1/2"	3.10
call	herring	2"	2-5/8"	8"	2.80
calm	kingfish	2"	3"	8"	3.80
came	mackerel	2-1/8"	2-15/16"	8-1/2"	3.10
cape	manta	2-1/8"	3-1/8"	8-1/2"	4.10
care	marlin	2-1/4"	2-15/16"	9"	3.10
cart	minnow	2-1/4"	3-1/8"	9"	4.30
case	mudfish	2-1/4"	3-3/8"	9"	5.10
cook	mullet	2-3/8"	3-3/8"	9-1/2"	4.80
cord	musky	2-1/2"	3-1/8"	10"	4.50
corn	perch	2-1/2"	3-3/8"	10"	5.10
crab	pickerel	2-5/8"	3-3/8"	10-1/2"	5.20
crow	picuda	2-3/4"	3-3/8"	11"	4.80
curd	pinfish	2-3/4"	3-3/4"	11"	6.60
cure	porgy	2-7/8"	3-3/4"	11-1/2"	6.50
dane	ray	3"	3-3/4"	12"	6.80
dare	redfin	3"	4"	12"	7.70
dark	redfish	3-1/8"	4-1/4"	12-1/2"	8.60
darn	rockfish	3-1/4"	4"	13"	7.80
dell	sailfish	3-1/4"	4-1/4"	13"	8.70
dike	salmon	3-3/8"	4-1/2"	13-1/2"	10.20
dine	sandfish	3-1/2"	4-1/4"	14"	8.90
dock	sawfish	3-1/2"	4-1/2"	14"	10.30
dole	sculpin	3-5/8"	4-1/2"	14-1/2"	10.00
done	shad	3-3/4"	4-1/2"	15"	9.60
dove	shark	3-3/4"	5"	15"	16.50
draw	silverfish	3-3/4"	5-1/4"	15"	18.20
dull	smelt	3-7/8"	5-1/4"	15-1/2"	18.70
earn	snapper	4"	5"	16"	16.90
ease	sockeye	4"	5-1/4"	16"	18.70

For sizes not shown or for metric and flanged bearings please contact us.

* Shaft bearings can be installed upon request.

DRIVETRAIN



B

Non-Metallic Sleeve Bearings - For Struts or Stern Tubes - Sold each*

Duramax™ Part Number	Trellex Morse™ Part Number	I. D. (A)	O. D. (B)	Length (C)	Weight, lbs.
alda	adder	3/4"	1-1/4"	3"	.20
alice	n/a	7/8"	1-1/4"	3-1/2"	.20
anne	agii	7/8"	1-3/8"	3-1/2"	.20
ardele	anchovy	7/8"	1-1/2"	3-1/2"	.30
babe	anableps	1"	1-1/4"	3"	.20
becky	arrowana	1"	1-3/8"	4"	.20
betty	angel	1"	1-1/2"	4"	.30
candy	barbel	1"	1-5/8"	4"	.30
carla	billfish	1"	2"	4"	.50
ceil	bloodfin	1-1/8"	1-1/2"	4-1/2"	.30
cindy	bluefish	1-1/8"	1-5/8"	4-1/2"	.30
connie	bone	1-1/8"	1-3/4"	4-1/2"	.40
cora	bream	1-1/8"	2"	4-1/2"	.50
deena	brichardi	1-1/4"	1-1/2"	5"	.20
della	brill	1-1/4"	1-3/4"	5"	.40
doris	burbot	1-1/4"	2"	5"	.60
dotty	capelin	1-1/4"	2-1/8"	5"	.60
edna	chirus	1-3/8"	1-7/8"	5-1/2"	.40
ellen	ciscoes	1-3/8"	2"	5-1/2"	.50
elsa	coal	1-3/8"	2-1/8"	5-1/2"	.60
erma	coney	1-3/8"	2-3/8"	5-1/2"	.90
eva	corbina	1-1/2"	2"	6"	.50
fanny	craig	1-1/2"	2-3/8"	6"	.90
flo	cramp	1-5/8"	2-1/8"	6-1/2"	.60
fran	didon	1-5/8"	2-5/8"	6-1/2"	1.10
glenda	dorade	1-3/4"	2-3/8"	7"	.70
gloria	gerres	1-3/4"	2-5/8"	7"	.90
gwen	gilthead	1-7/8"	2-5/8"	7-1/2"	.80
hanna	globe	1-7/8"	2-15/16"	7-1/2"	1.50

Duramax™ Part Number	Trellex Morse™ Part Number	I. D. (A)	O. D. (B)	Length (C)	Weight, lbs.
hazel	gobie	2"	2-5/8"	8"	.80
helen	guppy	2"	3"	8"	1.50
hilda	haddock	2-1/8"	2-15/16"	8-1/2"	1.30
ila	hayho	2-1/8"	3-1/8"	8-1/2"	1.60
inez	holia	2-1/4"	2-15/16"	9"	1.20
ingred	hoopid	2-1/4"	3-1/8"	9"	1.60
irene	horned	2-1/4"	3-3/8"	9"	2.10
jenny	jurel	2-3/8"	3-3/8"	9-1/2"	1.70
joan	launce	2-1/2"	3-1/8"	10"	1.40
josie	loach	2-1/2"	3-3/8"	10"	2.00
joyce	lump	2-5/8"	3-3/8"	10-1/2"	1.80
june	midge	2-3/4"	3-3/8"	11"	1.60
kathy	monda	2-3/4"	3-3/4"	11"	2.60
kelly	moray	2-7/8"	3-3/4"	11-1/2"	2.50
kim	numb	3"	3-3/4"	12"	2.40
laura	oarfish	3"	4"	12"	3.10
lena	ox	3-1/8"	4-1/4"	12-1/2"	3.80
linda	ono	3-1/4"	4"	13"	2.70
lisa	paddle	3-1/4"	4-1/4"	13"	3.50
lois	pipe	3-3/8"	4-1/2"	13-1/2"	4.30
mandy	plaice	3-1/2"	4-1/4"	14"	3.10
marie	pilot	3-1/2"	4-1/2"	14"	4.10
martha	piper	3-5/8"	4-1/2"	14-1/2"	3.70
mary	sprat	3-3/4"	4-1/2"	15"	3.50
nancy	saltie	3-3/4"	5"	15"	5.90
neva	sole	3-3/4"	5-1/4"	15"	7.40
nora	sardine	3-7/8"	5-1/4"	15-1/2"	6.40
olga	skate	4"	5"	16"	5.30
olive	skittle	4"	5-1/4"	16"	6.40

For sizes not shown and metric bearings please contact us.

* Shaft bearings can be installed upon request.

B

Bronze Strut Bolts - Carriage Bolts - Sold each

Part Number	Thread Size	Length Under Head
car031x550cb	5/16"-18	5"
car037x550cb	3/8"-16	5-1/2"

Part Number	Thread Size	Length Under Head
car050x550cb	1/2"-13	5-1/2"
car062x550cb	5/8"-11	5-1/2"

Other sizes may be available upon request.


Bronze Strut Bolts - Flat Head Hex Socket - Sold each

Part Number	Thread Size	Length Under Head
flhd031x550sh	5/16"-18	5-1/2"
flhd037x550sh	3/8"-16	5-1/2"

Part Number	Thread Size	Length Under Head
flhd050x550sh	1/2"-13	5-1/2"
flhd062x550sh	5/8"-11	5-1/2"

Other sizes may be available upon request.


Bronze Strut Bolts - Oval Head Slotted - Sold each

Part Number	Thread Size	Length Under Head
ovhd031x550oh	5/16"-18	5-1/2"
ovhd037x550oh	3/8"-16	5-1/2"

Part Number	Thread Size	Length Under Head
ovhd050x550oh	1/2"-13	5-1/2"
ovhd062x550oh	5/8"-11	5-1/2"

Other sizes may be available upon request.


Hexnuts - Sold each

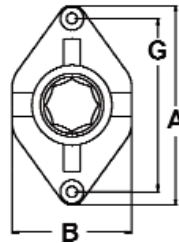
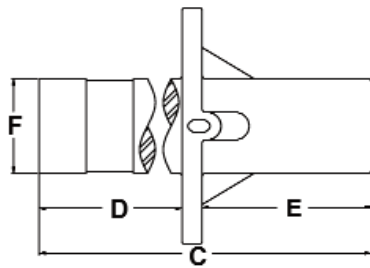
Part Number	Thread Size
hexnut031	5/16"-18
hexnut375	3/8"-16
hexnut050	1/2"-13
hexnut625	5/8"-11

Locknuts are available upon request.

Flatwashers - Sold each

Part Number	Size
flatwasher031	5/16"
flatwasher375	3/8"
flatwasher050	1/2"
flatwasher625	5/8"

Lockwashers are available upon request.

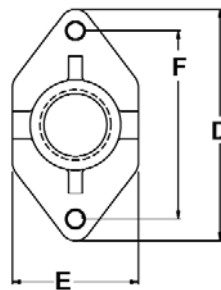
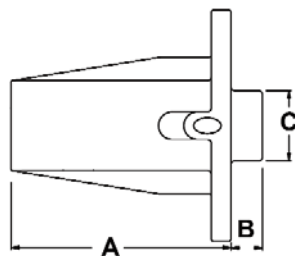

B

Albin Bronze Stern Bearing Housings w/ Tube - Oval Flange

All Albin stern castings come complete w/ a shaft bearing and two setscrews installed - Sold each

Part Number	Shaft Size	Bore Size	A	B	C	D	E	F	G	Bolthole Size	Weight, lbs.
m24115*	1-3/4"	2-5/8"	7-1/2"	4-1/2"	9"	4-3/4"	3-5/8"	3"	6-1/2"	1/2"	11.00
m24127*	1-3/4"	2-5/8"	7-1/2"	4-1/2"	18-3/4"	14"	3-5/8"	3"	6-1/2"	1/2"	17.30
m24131*	1-3/4"	2-5/8"	7-1/2"	4-1/2"	25-1/4"	21"	3-5/8"	3"	6-1/2"	1/2"	26.00

* 2" shaft size is available upon request.

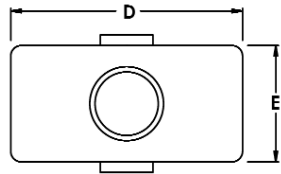
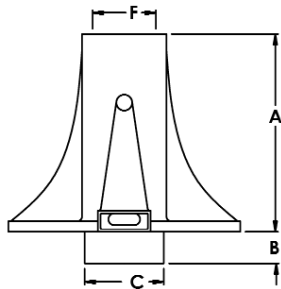
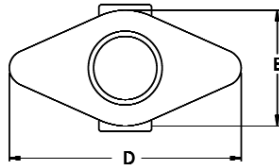


Albin Bronze Stern Bearing Housings - Oval Flange

All Albin stern castings come complete w/ a shaft bearing and two setscrews installed - Sold each

Part Number	Shaft Size	Bore Size	A	B	C	D	E	F	Bolthole Size	Weight, lbs.
m24034*	1-1/2"	2-5/8"	4-1/2"	1"	2-1/4"	7-3/8"	3-5/8"	6"	1/2"	15.00

* 1-1/4" shaft size is available upon request.

B


Bronze Stern Bearing Housings - Oval Flange

All housings come bored* to accept a shaft bearing and are internally threaded - Complete w/ two setscrews - Sold each

Part Number	Shaft Size	A	B	C	D	E	F	Thread Size (NPSM)	Weight, lbs.
00stbo88	7/8"	4"	1/2"	1-15/16"	4-3/4"	2-3/8"	1-1/2"	None	2.40
00stbo100	1"	4-9/16"	1/2"	2"	5"	2-3/8"	1-5/8"	1-1/4" - 11-1/2"	3.50
00stbo113	1-1/8"	4-9/16"	1/2"	2"	5"	2-3/8"	1-5/8"	1-1/4" - 11-1/2"	3.50
00stbo125	1-1/4"	5-5/8"	7/8"	2-3/8"	6"	3"	2"	1-1/2" - 11-1/2"	5.00
00stbo138	1-3/8"	5-5/8"	7/8"	2-3/8"	6"	3"	2"	1-1/2" - 11-1/2"	5.00
00stbo150	1-1/2"	5-5/8"	7/8"	2-3/8"	6"	3"	2"	1-1/2" - 11-1/2"	5.00

* Shaft bearings and flange holes can be installed upon request.

Bronze Stern Bearing Housings - Rectangular Flange

All housings come bored* to accept a shaft bearing and are internally threaded - Complete w/ two setscrews - Sold each

Part Number	Shaft Size	A	B	C	D	E	F	Thread Size (NPSM)	Weight, lbs.
00stbr138	1-3/8"	6-7/8"	1"	2-7/8"	7"	3-1/2"	2-3/8"	2" - 11-1/2"	12.50
00stbr150	1-1/2"	6-7/8"	1"	2-7/8"	7"	3-1/2"	2-3/8"	2" - 11-1/2"	12.50
00stbr175	1-3/4"	7-7/8"	1-1/8"	3-3/8"	8"	4"	2-5/8"	2-1/2" - 8"	17.00
00stbr200	2"	8-7/8"	1-1/4"	3-5/8"	9-1/4"	4-5/8"	3"	2-1/2" - 8"	22.00
00stbr225	2-1/4"	8-7/8"	1-1/4"	3-5/8"	9-1/4"	4-5/8"	3-1/8"	2-1/2" - 8"	22.00
00stbr250	2-1/2"	11"	1-5/8"	4-1/16"	11-1/2"	5-3/4"	3-3/8"	3" - 8"	31.50
00stbr275	2-3/4"	11"	1-5/8"	4"	11-1/2"	5-3/4"	3-3/8"	3" - 8"	31.50
00stbr300	3"	13"	2"	4-7/8"	14"	7"	3-3/4"	None	57.50

* Shaft bearings and flange holes can be installed upon request.

**TOURNAMENT
MARINE PRODUCTS**

Bronze Stern Bearing Housing - Oval Flange - Comes bored* to accept a shaft bearing - Complete w/ two setscrews - Sold each

Part Number	Shaft Size	A	B	C	D	E	F	Weight, lbs.
10122	1-3/8"	6-3/16"	7/8"	2-3/8"	6-1/2"	3"	2-1/8"	6.00

* Shaft bearings and flange holes can be installed upon request.

**TOURNAMENT
MARINE PRODUCTS**

Bronze Stern Bearing Housings - Rectangular Flange

All housings come bored* to accept a shaft bearing - Complete w/ two setscrews
Sold each

Part Number	Shaft Size	A	B	C	D	E	F	Weight, lbs.
10020	1-1/4"	5-3/8"	7/8"	2-3/8"	5-3/4"	3"	2"	6.20
10022	1-3/8"	6-3/16"	1"	2-1/2"	6-1/2"	3-1/4"	2"	7.20

* Shaft bearings and flange holes can be installed upon request.

Bronze Sailboat Shaft Log Bearing Housing - Come bored* to accept a shaft bearing - Complete w/ two setscrews Sold each

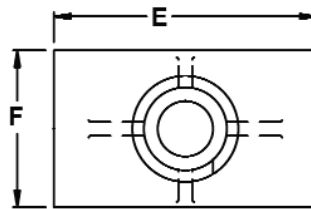
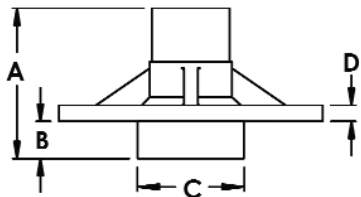
Part Number	Bore Size	Hose I. D.	Length Below Flange	Length Above Flange	Flange Dimension	Weight, lbs.
10sLc100L	1-1/2"	1-3/4"	9"	2"	2-1/2" x 4"	5.00

* Shaft bearings and flange holes can be installed upon request.

Bronze Sailboat Shaft Log Bearing Housing - Comes bored* to accept a shaft bearing - Complete w/ two setscrews Sold each

Part Number	Bore Size	Hose I. D.	Length Below Flange	Length Above Flange	Flange Dimension	Weight, lbs.
10sLw1002	1-1/2"	2"	4-5/8"	1-1/2"	2-7/8" x 5"	3.75

* Shaft bearings and flange holes can be installed upon request.



Stern Tube Packing Boxes

All stern tube packing boxes are internally threaded - Complete w/ lock nut and packing spud - Sold each

Part Number	Shaft Size	Packing Size	A	B	C	D	E	F	Internal Thread Size (NPSM)	Weight, lbs.
00stpb125	1-1/4"	1/4"	4-5/8"	1-9/16"	2-1/2"	5/16"	5-3/8"	3-1/2"	1-1/2" -11-1/2	5.75
00stpb138	1-3/8"	5/16"	4-5/8"	1-9/16"	2-1/2"	5/16"	5-3/8"	3-1/2"	1-1/2" -11-1/2	5.60
00stpb150	1-1/2"	1/4"	4"	1"	2-7/8"	1/2"	7-1/8"	4-1/4"	2" - 11-1/2	7.60
00stpb175	1-3/4"	1/2"	5-1/2"	1"	3-3/8"	1/2"	8-1/2"	5-1/4"	2-1/2" - 8	15.75
00stpb200	2"	3/8"	5-1/2"	1"	3-3/8"	1/2"	8-1/2"	5-1/4"	2-1/2" - 8	14.10
00stpb225	2-1/4"	7/16"	5-3/4"	1"	3-3/8"	5/8"	8-1/2"	5-1/4"	2-1/2" - 8	18.85
00stpb250	2-1/2"	5/16"	5-15/16"	1"	4-1/16"	5/8"	8-1/2"	5-1/4"	3" - 8	18.00

Replacement Parts for Stern Tube Packing Boxes

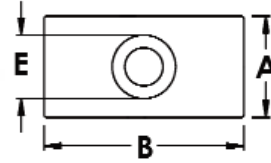
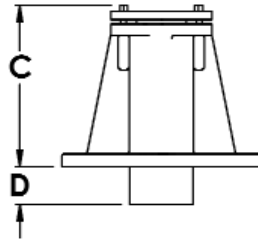
Packing Spuds - Sold each

Part Number	Use With Part Numbers
00125pbs	00stpb125
00125pbs38	00stpb138
00150pbs	00stpb150
00175pbs	00stpb175
00200pbs	00stpb200
00225pbs	00stpb225
00250pbs	00stpb250

Lock Nuts - Sold each

Part Number	Use With Part Numbers
00125pbn	00stpb125 & 00stpb138
00138pbn	00stpb150
00175pbn	00stpb175 & 00stpb200
00225pbn	00stpb225 & 00stpb250

B



TOURNAMENT MARINE PRODUCTS **Bronze Packing Boxes - Rectangular Flange**

Complete w/ a packing gland & two nuts for each stud - Sold each

Part Number	Shaft Size	Packing Size	A	B	C	D	E	Weight, lbs.
10220	1-1/4"	1/4"	3-5/16"	6-5/8"	4-7/8"	1-3/8"	2-3/16"	9.20
10222	1-3/8"	1/4"	3-5/8"	7-1/4"	5-1/4"	1-1/2"	2-5/16"	10.20
10224	1-1/2"	1/4"	4"	8"	6-1/16"	1-5/8"	2-7/16"	14.00
10228	1-3/4"	3/8"	4-5/8"	9-1/4"	7-1/16"	1-7/8"	3-1/16"	18.70
10232	2"	3/8"	5-1/4"	10-1/2"	7-13/16"	2-1/8"	3-5/16"	23.90
10236	2-1/4"	1/2"	6"	12"	8-3/4"	2-7/16"	3-5/16"	34.10
10240	2-1/2"	1/2"	6-5/8"	13-1/4"	9-11/16"	2-3/4"	4-3/16"	56.00

Bronze Packing Boxes - Rectangular Flange

Complete w/ a packing gland & two nuts for each stud - Sold each

Part Number	Shaft Size	Packing Size	A	B	C	D	E	Weight, lbs.
00pb300gf	3"	3/8"	8"	17"	13"	3-1/4"	4-13/16"	89.00

Replacement Parts for Packing Boxes - Rectangular Flange

Packing Glands*

Sold each



Part Number	Use With Part Numbers
10220g	10220
10222g	10222
10224g	10224
10228g	10228
10232g	10232
10236g	10236
10240g	10240
00pb300gfg	00pb300gf

Packing Box Studs

Complete w/ two nuts per stud - Sold in pairs



Part Number	Use With Part Numbers
studs	10220, 10222, 10224 & 10228
studs62	10232, 10236, 10240 & 00pb300gf

* Stud holes can be drilled upon request

Bronze Packing Boxes - Self Aligning - Gland Type

Complete w/ hose, four clamps, a packing gland & two nuts for each stud - Sold complete

Part Number	Shaft Size	Hose I. D.	Packing Size	Weight, lbs.
00pb125g	1-1/4"	2-1/4"	1/4"	4.00
00pb138g	1-3/8"	2-1/2"	3/8"	4.00
00pb150g	1-1/2"	2-1/2"	1/4"	4.00
00pb175g	1-3/4"	3"	3/8"	8.50
00pb200g	2"	3"	1/4"	8.50
00pb225g	2-1/4"	3-1/2"	3/8"	11.00
00pb250g	2-1/2"	3-1/2"	1/4"	11.00


B

Bronze Heavy Duty Packing Boxes - Self Aligning - Gland Type

Complete w/ hose, four clamps, a packing gland & two nuts for each stud
Sold complete

Part Number	Shaft Size	Hose I. D.	Packing Size	Weight, lbs.
00pb200gh	2"	3-1/2"	1/2"	22.00
00pb225gh	2-1/4"	3-1/2"	3/8"	22.00
00pb250gh	2-1/2"	3-1/2"	1/4"	22.00
00pb250ghn	2-1/2"	4"	1/4"	25.00
00pb275gh	2-3/4"	4"	1/2"	31.00
00pb300gh	3"	4"	3/8"	31.00
00pb300gh45	3"	4-1/2"	3/8"	31.00

Replacement Parts for Packing Boxes - Self Aligning - Gland Type

Packing Box Studs

Complete w/ two nuts per stud - Sold in pairs

Part Number	Use With Part Numbers
studs37	00pb125g, 00pb138g & 00pb150g
studs	00pb175g, 00pb200g, 00pb225g & 00pb250g
studs62	00pb200gh, 00pb250gh, 00pb250ghn, 00pb225gh, 00pb275gh, 00pb300gh & 00pb300gh45

Clamps - Sold each

Part Number	Use With Part Numbers
70hss44c	00pb125g
70stbc325	00pb138g & 00pb150g
70stbc375	00pb175g & 00pb200g
70stbc425	00pb225g, 00pb250g, 00pb200gh, 00pb225gh & 00pb250gh
70stbc475	00pb250ghn, 00pb275gh & 00pb300gh
70stbc525	00pb300gh45

Hoses - Sold each

Part Number	Use With Part Numbers
80ho225	00pb125g
80ho250	00pb138g & 00pb150g
80ho300	00pb175g & 00pb200g
80ho350	00pb225g, 00pb250g, 00pb200gh, 00pb250gh & 00pb225gh
80ho400	00pb250ghn, 00pb275gh & 00pb300gh
80ho450	00pb300gh45

Packing Glands* - Sold each

Part Number	Use With Part Numbers
00pb125gg	00pb125g
00pb138gg	00pb138g
00pb150gg	00pb150g
00pb175gg	00pb175g
00pb200gg	00pb200g
00pb225gg	00pb225g
00pb250gg	00pb250g
00pb200ghg	00pb200gh
00pb225ghg	00pb225gh
00pb250ghg	00pb250gh & 00pb250ghn
00275pbggh	00pb275gh
00pb300gfg	00pb300gh & 00pb300gh45

* Stud holes can be drilled upon request

B



TOURNAMENT MARINE PRODUCTS

Bronze Packing Boxes - Self Aligning - Gland Type

Complete w/ hose, four clamps, a packing gland & two nuts for each stud - Sold complete

Part Number	Shaft Size	Hose I. D.	Packing Size	Weight, lbs.
1553	1-3/4"	3-1/2"	3/8"	8.80
1554	2"	3-1/2"	1/4"	8.80

Replacement Parts for Packing Boxes - Self Aligning - Gland Type

Packing Glands* - Sold each

Part Number	Use With Part Numbers
1553g	1553
1554g	1554

* Stud holes can be drilled upon request

Packing Box Studs - Complete w/ two nuts per stud - Sold in pairs

Part Number	Use With Part Numbers
studs	1553 & 1554

Clamps - Sold each

Part Number	Use With Part Numbers
70stbc425	1553 & 1554

Hose - Sold each

Part Number	Use With Part Numbers
80ho350	1553 & 1554

DRIVETRAIN



Bronze Packing Boxes - Self Aligning - Gland Type

Complete w/ hose, four clamps, a packing gland & two nuts for each stud - Sold complete

Part Number	Shaft Size	Hose I. D.	Packing Size	Weight, lbs.
00pbs125g	1-1/4"	2"	3/16"	3.00
00pbs138g	1-3/8"	2-5/8"	1/4"	4.00
00pbs150g	1-1/2"	2-5/8"	5/16"	4.00

Replacement Parts for Packing Boxes - Self Aligning - Gland Type

Packing Glands* - Sold each

Part Number	Use With Part Numbers
sipb125gLd	00pbs125g
sipb138gLd	00pbs138g
sipb150gLd	00pbs150g

* Stud holes can be drilled upon request

Packing Box Studs - Complete w/ two nuts per stud - Sold in pairs

Part Number	Use With Part Numbers
studs37	00pbs125g, 00pbs138g & 00pbs150g

Clamps - Sold each

Part Number	Use With Part Numbers
70stbc256	00pbs125g
70stbc312	00pbs138g & 00pbs150g

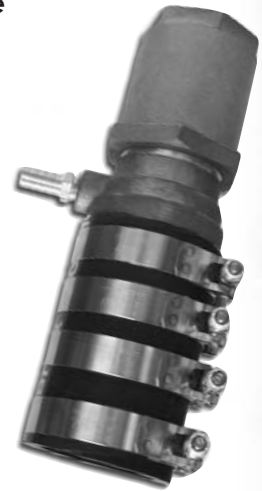
Hoses - Sold each

Part Number	Use With Part Numbers
sipb125hos	00pbs125g
sipb138hos	00pbs138g & 00pbs150g

TOURNAMENT MARINE PRODUCTS Bronze Water Cooled Packing Boxes - Self Aligning - Spud Type

Complete w/ hose, four clamps, hose adapter, packing nut & lock nut - Sold complete

Part Number	Shaft Size	Hose I. D.	Water Injection	Packing Size	Weight, lbs.
8413225	1-3/8"	2-1/4"	1/2"	7/16"	15.50
8413250	1-3/8"	2-1/2"	1/2"	7/16"	15.75
8413300	1-3/8"	3"	1/2"	7/16"	16.00
8415225	1-1/2"	2-1/4"	1/2"	3/8"	15.25
8415250	1-1/2"	2-1/2"	1/2"	3/8"	15.50
8415300	1-1/2"	3"	1/2"	3/8"	15.75
8417300	1-3/4"	3"	1/2"	1/2"	15.50
8417350	1-3/4"	3-1/2"	1/2"	1/2"	27.00
8420300	2"	3"	1/2"	3/8"	15.25
8420350	2"	3-1/2"	1/2"	3/8"	26.50
8422400	2-1/4"	4"	1/2"	7/16"	30.00
8425400	2-1/2"	4"	1/2"	5/16"	28.00
8430450	3"	4-1/2"	1/2"	5/16"	40.00



B

Replacement Parts for Water Cooled Packing Boxes

Packing Spuds - Sold each

Part Number	Use With Part Numbers
82138s	8413225, 8413250 & 8413300
82150s	8415225, 8415250 & 8415300
82175s	8417300 & 8417350
82200s	8420300 & 8420350
8422400s	8422400
842250s	8425400
8430450s	8430450

Lock Nuts - Sold each

Part Number	Use With Part Numbers
82138n	8413225, 8413250, 8413300, 8415225, 8415250 & 8415300,
00175pbn	8417300, 8417350, 8420300 & 8420350
00225pbn	8422400, 8425400,
00300pbn	8430450

Clamps - Sold each

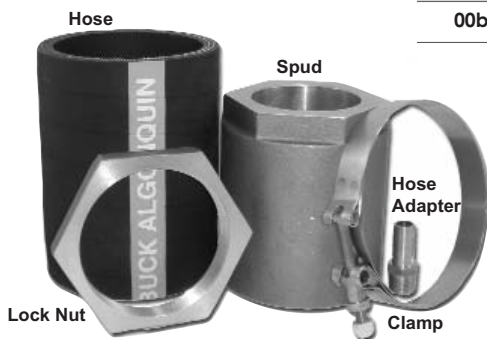
Part Number	Use With Part Numbers
70stbc300	8413225, 8415225
70stbc325	8413250, 8415250
70stbc375	8413300, 8415300, 8417300 & 8420300
70stbc425	8417350, 8420350
70stbc475	8422400, 8425400
70stbc532L	8430450

Hose Adapter - Sold each

Part Number	Use With Part Numbers
00bn43	all of the above

Hoses - Sold each

Part Number	Use With Part Numbers
80ho225	8413225, 8415225
80ho250	8413250, 8415250
80ho300	8413300, 8415300, 8417300 & 8420300
80ho350	8417350, 8420350
80ho400	8422400, 8425400
80ho450	8430450



DRIVETRAIN

B



Bronze Packing Boxes - Self Aligning - Spud Type - Right Hand Thread
 Complete w/ hose, four s/s clamps, packing nut & lock nut - Sold complete

Part Number	Shaft Size	Hose I. D.	Packing Size	Weight, lbs.
00pb75	3/4"	1-1/2"	3/8"	1.75
00pb88	7/8"	1-3/4"	5/16"	1.75
00pb100x	1"	1-1/2"	1/4"	1.75
00pb100	1"	1-3/4"	1/4"	1.75
00pb100fg	1"	2"	1/4"	1.90
00pb100225	1"	2-1/4"	1/4"	2.30
00pb113	1-1/8"	1-3/4"	3/16"	1.75
00pb113fg	1-1/8"	2"	3/16"	1.90
00pb113h	1-1/8"	2-1/4"	3/16"	2.80
00pb125175	1-1/4"	1-3/4"	1/4"	2.75
00pb125fg	1-1/4"	2"	1/4"	2.30
00pb125	1-1/4"	2-1/4"	1/4"	2.85
00pb138	1-3/8"	2-1/2"	5/16"	3.35
00pb15225	1-1/2"	2-1/4"	1/4"	3.80
00pb150	1-1/2"	2-1/2"	1/4"	3.35
jpb175	1-3/4"	2-1/2"	3/8"	5.70
00pb175	1-3/4"	3"	1/2"	8.00
00pb175L	1-3/4"	3-1/2"	1/2"	9.00
00pb200	2"	3"	3/8"	8.00
00pb200L	2"	3-1/2"	3/8"	9.00
00pb225	2-1/4"	3-1/2"	7/16"	12.00
00pb250	2-1/2"	3-1/2"	5/16"	12.00
00pb300	3"	4-1/2"	9/16"	30.00

See page 37 for replacement parts.

Bronze Packing Boxes - Self Aligning - Spud Type - Left Hand Thread
 Complete w/ hose, four clamps, packing nut & lock nut - Sold complete

Part Number	Shaft Size	Hose I. D.	Packing Size	Weight, lbs.
00pb113Lh	1-1/8"	1-3/4"	3/16"	1.75
00pb125Lh	1-1/4"	2-1/4"	1/4"	2.85
00pb150Lh	1-1/2"	2-1/2"	1/4"	3.35
00pb175Lh	1-3/4"	3"	1/2"	8.00
00pb200Lh	2"	3"	3/8"	8.00
00pb225Lh	2-1/4"	3-1/2"	7/16"	12.00
00pb250Lh	2-1/2"	3-1/2"	5/16"	12.00

See page 37 for replacement parts.

DRIVETRAIN

Replacement Parts for Packing Boxes - Spud Type

Packing Spuds - Sold each

Part Number	Use With Part Numbers
0075pbs	00pb75
0088pbs	00pb88
00100pbs	00pb100x, 00pb100, 00pb100fg & 00pb100225
00113pbs	00pb113, 00pb113fg & 00pb113h
00125pbs	00pb125175, 00pb125fg, & 00pb125
00138pbs	00pb138
00150pbs	00pb15225, 00pb150
00175pbsoy	jpbp175
00175pbs	00pb175 & 00pb175L
00200pbs	00pb200, 00pb200L
00225pbs	00pb225
00250pbs	00pb250
00300pbs	00pb300
00125pbsL	00pb125Lh
3059pbs	00pb113Lh
00150pbsLh	00pb150Lh
00175pbsLh	00pb175Lh
00200pbsLh	00pb200Lh
00225pbsLh	00pb225Lh
00250pbsLh	00pb250Lh

Hoses - Sold each

Part Number	Use With Part Numbers
80ho150	00pb75, 00pb100x
80ho175	00pb88, 00pb100, 00pb113, 00pb125175, 00pb113Lh
80ho200	00pb100fg, 00pb113fg, 00pb125fg
80ho225	00pb100225, 00pb113h, 00pb125, 00pb15225, 00pb125Lh
80ho250	00pb138, 00pb150, jpb175, 00pb150Lh
80ho300	00pb175, 00pb200, 00pb175Lh, 00pb200Lh
80ho350	00pb175L, 00pb200L, 00pb225, 00pb250, 00pb225Lh, 00pb250Lh
80ho450	00pb300



Lock Nuts - Sold each

Part Number	Use With Part Numbers
00100pbn	00pb75, 00pb88, 00pb100x, 00pb100, 00pb100fg, 00pb100225, 00pb113, 00pb113fg & 00pb113h
00125pbn	00pb125175, 00pb125fg & 00pb125,
00138pbn	00pb138, 00pb15225 & 00pb150,
00175pbnoy	jpb175
00175pbn	00pb175, 00pb175L, 00pb200 & 00pb200L
00225pbn	00pb225 & 00pb250
00300pbn	00pb300
3059pbn	00pb113Lh
00125pbnL	00pb125Lh
00150pbnLh	00pb150Lh
00175pbnLh	00pb175Lh & 00pb200Lh
00225pbnLh	00pb225Lh & 00pb250Lh

Clamps - Sold each

Part Number Worm Gear	Part Number T-Bolt	Use With Part Numbers
70hss32c	70stbc225	00pb75 & 00pb100x
70hss36c	70stbc238	00pb88, 00pb100, 00pb113, 00pb125175 & 00pb113Lh
70hss40c	70stbc275	00pb100fg, 00pb113fg & 00pb125fg
70hss44c	70stbc300	00pb100225, 00pb113h, 00pb125, 00pb15225 & 00pb125Lh
70hss48c	70stbc325	00pb138, 00pb150, jpb175 & 00pb150Lh
70hss56c	70stbc375	00pb175, 00pb200, 00pb175Lh & 00pb200Lh
70hss72c	70stbc425	00pb175L, 00pb200L, 00pb225, 00pb250, 00pb225Lh & 00pb250Lh
70hss88c	70stbc532L	00pb300

B

DRIVETRAIN

B

Packing Box Studs

Complete w/ two nuts per stud - Sold in pairs



Part Number	Thread Size	Overall Length	Weight, lbs.
studs37	3/8"-16	3"	.20
studs	1/2"-13	3-1/2"	.35
studs62	5/8"-11	6"	.80
studs75	3/4"-10	6"	.95
studs87	7/8"-9	6"	1.10

Zinc Plated Iron Packing Box Wrenches - Sold each



Part Number	Opening Size	Fits Packing & Lock Nut	Overall Length	Weight, lbs.
3bpbw100	2"	1" & 1-1/8"	9"	1.30
3bpbw125	2-5/16"	1-1/4"	9-1/4"	1.50
3bpbw150	2-9/16"	1-3/8" & 1-1/2"	9-1/2"	1.50
3bpbw200	3-1/4"	1-3/4" & 2"	10-1/2"	2.00
3bpbw250	3-13/16"	2-1/4" & 2-1/2"	15-1/2"	2.80

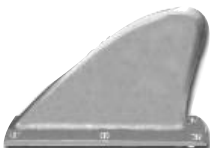
DRIVETRAIN

Bronze Ski Boat Fin - Sold each



Part Number	Overall Height	Base Width	Base Length	C.S. Screw Size	Weight, lbs.
10ski1	6-7/8"	3-1/2"	6-3/8"	3/8"	4.85

Bronze Ski Boat Fin - Sold each



Part Number	Overall Height	Base Width	Base Length	C.S. Screw Size	Weight, lbs.
10ski2	6-1/8"	2-3/8"	6-1/8"	#12	4.50

Bronze Thru Hull Style Shaft Logs - Complete Assembly

Complete w/ spud style packing box* and lock nut - Sold complete

Part Number	Shaft Size	Packing Size	Hose I. D.	Flange O. D.	Length of Threads	Weight, lbs.
00sL100fg	1"	1/4"	2"	3-1/4"	1-3/4"	3.70
00sL113fg	1-1/8"	3/16"	2"	3-1/4"	1-3/4"	3.70
00sL125fg	1-1/4"	1/4"	2"	3-1/4"	1-3/4"	4.80
00sL138fg	1-3/8"	5/16"	2-1/2"	4"	2"	7.40
00sL150fg	1-1/2"	1/4"	2-1/2"	4"	2"	7.40
00sL175fg	1-3/4"	1/2"	3"	4-3/4"	2-3/8"	18.00
00sL200fg	2"	3/8"	3"	4-3/4"	2-3/8"	18.00
00sL225fg	2-1/4"	7/16"	3-1/2"	5-1/2"	2-1/2"	21.00
00sL250fg	2-1/2"	5/16"	3-1/2"	5-1/2"	2-1/2"	21.00
00sL275fg	2-3/4"	1/2"	4"	5-3/4"	2-9/16"	45.00
00sL300fg	3"	3/8"	4"	5-3/4"	2-9/16"	45.00

* Packing boxes available separately on page 36.



B

Bronze Thru Hull Style Shaft Logs - Log Only

Complete w/ lock nut - Sold complete

Part Number	Shaft Size	Hose I. D.	Flange O. D.	Length Under Flange	Length of Threads	Weight, lbs.
00sLL100fg	1"	2"	3-1/4"	3-1/4"	1-3/4"	2.50
00sLL113fg	1-1/8"	2"	3-1/4"	3-1/4"	1-3/4"	2.50
00sLL125fg	1-1/4"	2"	3-1/4"	3-1/4"	1-3/4"	2.50
00sLL138fg	1-3/8"	2-1/2"	4"	4-3/8"	2"	5.00
00sLL150fg	1-1/2"	2-1/2"	4"	4-3/8"	2"	5.00
00sLL175fg	1-3/4"	3"	4-3/4"	5-1/2"	2-3/8"	8.60
00sLL200fg	2"	3"	4-3/4"	5-1/2"	2-3/8"	8.60
00sLL225fg	2-1/4"	3-1/2"	5-1/2"	5-1/2"	2-1/2"	10.40
00sLL250fg	2-1/2"	3-1/2"	5-1/2"	5-1/2"	2-1/2"	10.40
00sLL275fg	2-3/4"	4"	5-3/4"	5-1/4"	2-9/16"	13.00
00sLL300fg	3"	4"	5-3/4"	5-1/4"	2-9/16"	13.00
00sLL450fg	3-1/2"	4-1/2"	6"	5-1/4"	2-3/4"	17.00



DRIVETRAIN

B



Bronze Offset Style Shaft Logs - Complete Assembly

Complete w/ spud style packing box* - Sold complete

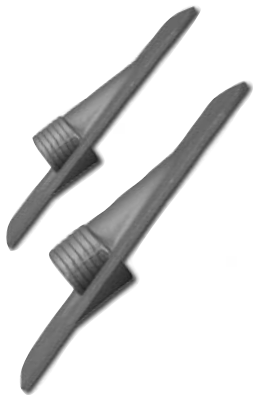
Part Number	Shaft Size	Packing Size	Angle, Deg.	Base Width	Base Length	Hose I. D.	Weight, lbs.
00sLo100	1"	1/4"	15	4-7/8"	10-3/4"	1-3/4"	6.00
00sLo100L4	1"	1/4"	14	5-1/2"	11-1/2"	2"	7.00
00sLo113**	1-1/8"	3/16"	15	4-7/8"	10-3/4"	1-3/4"	6.00
00sLo12514**	1-1/4"	1/4"	14	5-1/2"	20-1/4"	2-1/4"	14.00
00sLo125L4**	1-1/4"	1/4"	17	5-1/2"	15"	2-1/4"	10.00
00sLo125L4	1-1/4"	1/4"	14	5-1/2"	11-1/2"	2"	7.50
00sLo138	1-3/8"	3/16"	12	7"	22-3/8"	2-1/2"	15.00
00sLo150 **	1-1/2"	1/4"	12	7"	22-3/8"	2-1/2"	15.00
00sLo150L4	1-1/2"	1/4"	14	5-1/2"	11-1/2"	2-1/4"	8.50

* Packing boxes available separately on page 36.

** Available in right or left hand threads.

Baseholes can be installed upon request.

DRIVETRAIN



Bronze Thru Hull Style Shaft Logs - Log Only - Sold each

Part Number	Shaft Size	Angle, Deg.	Base Width	Base Length	Hose I. D.	Weight, lbs.
00sLoL100	1"	15	4-7/8"	10-3/4"	1-3/4"	6.00
00sLoL10L4	1"	14	5-1/2"	11-1/2"	2"	7.00
00sLoL113	1-1/8"	15	4-7/8"	10-3/4"	1-3/4"	6.00
00sLoL1254	1-1/4"	14	5-1/2"	20-1/4"	2-1/4"	14.00
00sLoL125L	1-1/4"	17	5-1/2"	15"	2-1/4"	10.00
00sLoL12L4	1-1/4"	14	5-1/2"	11-1/2"	2"	7.50
00sLoL138	1-3/8"	12	7"	22-3/8"	2-1/2"	15.00
00sLoL150	1-1/2"	12	7"	22-3/8"	2-1/2"	15.00
00sLoL15L4	1-1/2"	14	5-1/2"	11-1/2"	2-1/4"	8.50

Baseholes can be installed upon request.

Bronze Angled Shaft Logs - Complete Assembly

Complete w/ spud style packing box* - Sold each

Part Number	Shaft Size	Packing Size	Angle, Deg.	Base Width	Base Length	Hose I. D.	Weight, lbs.
00sL100x	1"	1/4"	12	3"	11"	1-1/2"	4.70
00sL100	1"	1/4"	13	3-1/2"	12-1/2"	1-3/4"	7.00
00sL113**	1-1/8"	3/16"	13	3-1/2"	12-1/2"	1-3/4"	7.00
00sL113h	1-1/8"	3/16"	12	4-1/4"	14"	2-1/4"	10.30
00sL125**	1-1/4"	1/4"	12	4-1/2"	20-1/2"	2-1/4"	15.20
00sL138	1-3/8"	1/4"	12	5-1/4"	24"	2-1/2"	17.75
00sL138L	1-3/8"	3/16"	8	5-1/4"	28-1/2"	2-1/2"	21.00
00sL150**	1-1/2"	1/4"	12	5-1/4"	24"	2-1/2"	17.75
00sL150L**	1-1/2"	1/4"	8	5-1/4"	28-1/2"	2-1/2"	21.00
00sL175**	1-3/4"	1/2"	9	7"	32-1/2"	3"	31.50
00sL175L	1-3/4"	1/2"	7	7-1/2"	46-1/4"	3-1/2"	48.00
00sL200**	2"	3/8"	9	7"	32-1/2"	3"	31.50
00sL200L	2"	3/8"	7	7-1/2"	46-1/4"	3-1/2"	48.00
00sL225**	2-1/4"	7/16"	7	7-1/2"	46-1/4"	3-1/2"	51.00
00sL250**	2-1/2"	5/16"	7	7-1/2"	46-1/4"	3-1/2"	51.00

* Packing boxes available separately on page 36.

** Available in right or left hand threads.

Baseholes can be installed upon request.



Bronze Angled Shaft Logs - Log Only - Sold each

Part Number	Shaft Size	Angle, Deg.	Base Width	Base Length	Hose I. D.	Weight, lbs.
00sLL100x	1"	12	3"	11"	1-1/2"	3.00
00sLL100	1"	13	3-1/2"	12-1/2"	1-3/4"	4.50
00sLL113h	1-1/8"	12	4-1/4"	14"	2-1/4"	7.60
00sLL125	1-1/4"	12	4-1/2"	20-1/2"	2-1/4"	9.50
00sLL138	1-3/8"	12	5-1/4"	24"	2-1/2"	15.00
00sLL150	1-1/2"	12	5-1/4"	24"	2-1/2"	15.00
00sLL150L	1-1/2"	8	5-1/4"	28-1/2"	2-1/2"	16.00
00sLL150300	1-1/2"	12	5-1/4"	24"	3"	15.00
00sLL175	1-3/4"	9	7"	32-1/2"	3"	25.50
00sLL175L	1-3/4"	7	7-1/2"	46-1/4"	3-1/2"	39.00
00sLL200	2"	9	7"	32-1/2"	3"	25.50
00sLL225	2-1/4"	7	7-1/2"	46-1/4"	3-1/2"	39.00
00sLL250	2-1/2"	7	7-1/2"	46-1/4"	3-1/2"	39.00

Baseholes can be installed upon request.



B



Bronze Shaft Logs - Oval Base - Complete Assembly

Complete w/ spud style packing box* - Sold complete

Part Number	Shaft Size	Packing Size	Base Width	Base Length	Hose I. D.	Weight, lbs.
00sL100a	1"	1/4"	3"	5-3/4"	1-3/4"	4.15
00sL113a**	1-1/8"	3/16"	3"	5-3/4"	1-3/4"	4.10
00sL125a**	1-1/4"	1/4"	3"	6-1/2"	2-1/4"	5.20

*Packing boxes available separately on page 36.
Baseholes can be installed upon request.

** Available in right or left hand threads.

Bronze Shaft Logs - Rectangular Base - Complete Assembly

Complete w/ spud style packing box* - Sold complete

Part Number	Shaft Size	Packing Size	Base Width	Base Length	Hose I. D.	Weight, lbs.
00sLr125**	1-1/4"	1/4"	4"	6"	2-1/4"	10.00
00sLr138	1-3/8"	3/16"	4-1/2"	7"	2-1/2"	11.00
00sLr150**	1-1/2"	1/4"	4-1/2"	7"	2-1/2"	11.00
00sLr175**	1-3/4"	1/2"	6"	8-1/4"	3"	16.00
00sLr200**	2"	3/8"	6"	8-1/4"	3"	16.00
00sLr225**	2-1/4"	7/16"	6"	10"	3-1/2"	24.00
00sLr250**	2-1/2"	5/16"	6"	10"	3-1/2"	24.00

* Packing boxes available separately on page 36.
Baseholes can be installed upon request.

** Available in right or left hand threads.



Bronze Shaft Logs - Oval Base - Log Only - Sold each

Part Number	Shaft Size	Base Width	Base Length	Hose I. D.	Weight, lbs.
00sLL100a	1"	3"	5-3/4"	1-3/4"	2.00
00sLL113a	1-1/8"	3"	5-3/4"	1-3/4"	2.00
00sLL125a	1-1/4"	3"	6-1/2"	2-1/4"	2.90

Baseholes can be installed upon request.

Bronze Shaft Logs - Rectangular Base - Log Only - Sold each

Part Number	Shaft Size	Base Width	Base Length	Hose I. D.	Weight, lbs.
00sLrL125	1-1/4"	4"	6"	2-1/4"	10.00
00sLrL138	1-3/8"	4-1/2"	7"	2-1/2"	11.00
00sLrL150	1-1/2"	4-1/2"	7"	2-1/2"	11.00
00sLrL175	1-3/4"	6"	8-1/4"	3"	16.00
00sLrL200	2"	6"	8-1/4"	3"	16.00
00sLrL225	2-1/4"	6"	10"	3-1/2"	24.00
00sLrL250	2-1/2"	6"	10"	3-1/2"	24.00

Baseholes can be installed upon request.

DRIVETRAIN

Bronze Shaft Logs - Square Base - Complete Assembly

Complete w/ packing box* & backing plate - Sold complete

Part Number	Shaft Size	Packing Size	Base Size	Hose I. D.	Base Hole C to C	Base Hole Size C.S.	Weight, lbs.
00sLs125g	1-1/4"	3/16"	3-1/16" sq.	2"	2-3/8"	1/4"	5.00
00sLs138g	1-3/8"	1/4"	4-5/8" sq.	2-5/8"	3-1/8"	1/2"	9.00
00sLs150g	1-1/2"	5/16"	4-5/8" sq.	2-5/8"	3-1/8"	1/2"	9.00

* Packing boxes available separately on page 34.



B

Bronze Shaft Logs - Square Base

Complete w/ backing plate - Sold complete

Part Number	Shaft Size	Base Size	Hose I. D.	Base Hole C to C	Base Hole Size C.S.	Weight, lbs.
00sLLr125g	1-1/4"	3-1/16" sq.	2"	2-3/8"	1/4"	2.00
00sLLr138g	1-3/8"	4-5/8" sq.	2-5/8"	3-1/8"	1/2"	5.00
00sLLr150g	1-1/2"	4-5/8" sq.	2-5/8"	3-1/8"	1/2"	5.00



Bronze Triangular Shaft Logs

Complete w/ backing Plate - Sold complete

Part Number	Shaft Size	Hose I. D.	Bolt Hole Circle	Weight, lbs.
13009	1-1/4"	2-1/4"	3-1/4"	2.70
13012	1-3/8"	2-1/2"	3-1/4"	2.30
13673	2"	3"	5"	3.35



Flax Packing - Square Braid Construction

Braided flax fiber that has been thoroughly lubricated with tallow & wax
Sold in 1lb. rolls.



Part Number	Packing Size	Feet per Roll	Weight, lbs.
flax125Lb	1/8"	100	1.00
flax1875Lb	3/16"	50	1.00
flax250Lb	1/4"	28	1.00
flax3125Lb	5/16"	18	1.00
flax375Lb	3/8"	7	1.00
flax4375Lb	7/16"	7	1.00
flax500Lb	1/2"	7	1.00
flax625Lb	5/8"	4	1.00
flax6875Lb	1 1/16"	4	1.00

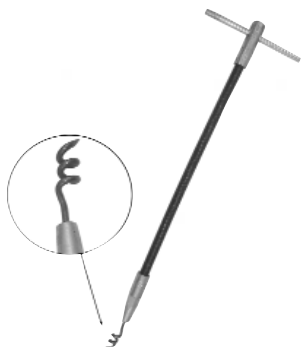
Dripless Moldable Packing - Sold as a kit



Part Number	Shaft Size	Weight, lbs.
seal150	Up to 1-1/4"	.25
seal300	Up to 3"	.40

Packing Extractors

Flexible handle, T-grip & cork screw tip - Sold each



Part Number	Overall Length	Weight, lbs.
pe625	6-1/4"	.05
pe725	7-1/4"	.10
pe1200	12"	.20
pe1550	15"	.50

Exhaust Fittings

C

Transom Exhausts.....	46
Exhaust Collectors - T Type.....	47
Exhaust Collectors - Y Type.....	47
Exhaust Elbow Connections	48
Water Cooled Exhaust Elbows.....	48

In order to ensure proper function of products, it is strongly recommended that each part is inspected and serviced monthly. Inspection should include, but not be limited to, visible damage, excessive wear, and proper bonding. Failure to properly maintain your product may result in catastrophic failure and/or loss of life.

Transom Exhausts

Cast bronze finish or 316 polished stainless steel - Sold each



Part Number Bronze	Part Number Stainless Steel	Hose I. D.	Length Under Flange	Flange O.D.	Flange Angle Deg.	C.S. Screw Size	Weight, lbs.
00te150	70te150	1-1/2"	2-1/2"	3-3/16"	90	1/4"	1.20
00te188	n/a	1-7/8"	2-1/2"	3-1/2"	90	1/4"	1.40
00te200	70te200	2"	2-1/2"	3-5/8"	90	1/4"	1.75
00te250	70te250	2-1/2"	4"	4-1/2"	15	1/4"	3.00
00te300	70te300	3"	5"	5"	8	1/4"	3.90
00te350	n/a	3-1/2"	5"	6-1/2"	8	1/4"	4.80
00te400	70te400	4"	4-3/4"	7"	16	1/4"	6.10
00te500	70te500	5"	5"	7-1/2"	90	1/4"	7.73
00te600	70te600	6"	5"	9-3/4"	90	1/4"	11.40

Bronze Transom Exhaust - w/ Flapper

Cast bronze finish - Sold each



Part Number	Hose I. D.	Length Under Flange	Flange O.D.	Flange Angle Deg.	C.S. Screw Size	Weight, lbs.
00te600f	6"	5"	8"	90	1/4"	15.80

Bronze Flapper Only for Transom Exhaust

Cast bronze finish - Sold each



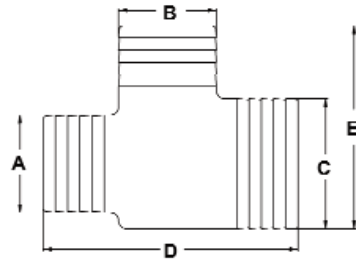
Part Number	Use With Part Numbers
00te600ff	00te600f

Transom Exhausts - Angled Shank

Cast bronze finish or 316 polished stainless steel - Sold each



Part Number Bronze	Part Number Stainless Steel	Hose I. D.	Length Under Flange	Flange O.D.	Hose Shank Angle Deg.	C.S. Screw Size	Weight, lbs.
00tea238	n/a	2-3/8"	5"	4-1/2"	9	1/4"	2.00
00tea400	70tea400	4"	6-1/4"	7"	9	1/4"	8.10
00tea500	n/a	5"	6-1/2"	8"	9	1/4"	8.90
00tea600	n/a	6"	6-1/2"	9"	9	1/4"	12.60
00tea800	n/a	8"	6-1/2"	11-1/2"	9	1/4"	18.40

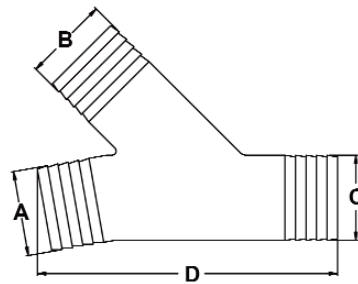


C

Exhaust Collectors - T Type

Powder coated gray iron - Sold each

Part Number	Hose I. D. (A)	Hose I. D. (B)	Hose I. D. (C)	Overall Width (D)	Overall Length (E)	Weight, lbs.
40ec30400b	3"	3"	4"	7-13/16"	6-1/4"	7.50
40ec4040b	4"	4"	4"	9"	6-1/2"	8.80
40ec4050b	4"	4"	5"	9-3/8"	6-1/2"	11.30

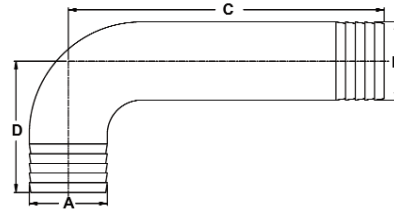
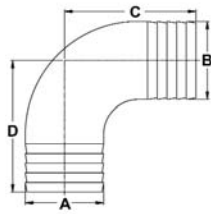


Exhaust Collectors - Y Type

Powder coated gray iron - Sold each

Part Number	Hose I. D. (A)	Hose I. D. (B)	Hose I. D. (C)	Overall Length (D)	Weight, lbs.
40ec250300	2-1/2"	2-1/2"	3"	9-1/2"	6.00
40ec250350	2-1/2"	2-1/2"	3-1/2"	11-1/2"	8.00
40ec250400	2-1/2"	2-1/2"	4"	9-1/2"	8.00
40ec288400	2-7/8"	2-7/8"	4"	9-1/2"	7.00
40ec300300	3"	3"	3"	9-1/2"	7.00
40ec300350	3"	3"	3-1/2"	9-1/2"	8.00
40ec300400	3"	3"	4"	9-1/2"	7.00
40ec300450	3"	3"	4-1/2"	9-1/2"	8.00
40ec300500	3"	3"	5"	9-1/2"	8.00
40ec350500	3-1/2"	3-1/2"	5"	9-1/2"	8.00
40ec400400	4"	4"	4"	12-3/4"	11.20
40ec400500	4"	4"	5"	13-1/4"	18.00

EXHAUST FITTINGS


C


Exhaust Connections - 90 Degree Elbows

Powder coated gray iron - Sold each

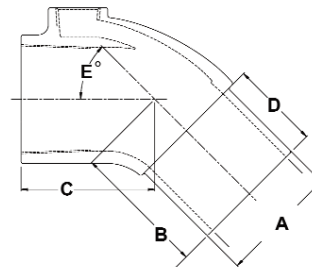
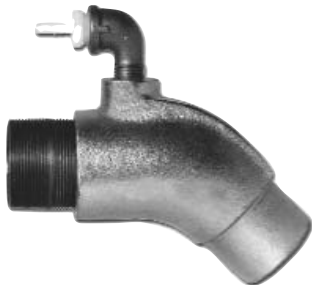
Part Number	Hose I. D. (A)	Hose I. D. (B)	C to E (C)	C to E (D)	Angle Deg.	Weight, lbs.
40ee30300a	3"	3"	11-1/2"	5-1/2"	90	11.00
40ee25090	2-1/2"	2-1/2"	4-1/4"	4-1/4"	90	5.75
40ee30090	3"	3"	4-1/2"	4-1/2"	90	6.00
40ee30090s	3"	3"	3-3/4"	3-3/4"	90	3.00
40ee40090	4"	4"	9"	9"	90	14.00
40ee40090s	4"	4"	5"	5"	90	7.00



Exhaust Connections - Angled

Powder coated gray iron - Sold each

Part Number	Hose I. D. (A)	Hose I. D. (B)	C to E (C)	C to E (D)	Angle Deg.	Weight, lbs.
40ee30045	3"	3"	3"	3"	45	3.00
40ee30060s	3"	3"	3-1/2"	3-1/2"	60	3.00
40ee300120	3"	3"	4-1/4"	4-1/4"	60	5.00
40ee300160	3"	3"	4-1/4"	4-1/4"	20	5.00



Water Cooled Exhaust Elbows

Zinc plated malleable iron - Complete w/ extra heavy close nipple, street elbow, and tufflite hose adapter - Sold complete

Part Number	Hose I. D. (A)	C to E (B)	C to E (C)	Hose End Length (D)	Angle Deg. (E)	Close Nipple Size	Water Injection Hose Size	Weight, lbs.
31ee200	2-3/8"	3"	2"	2"	45	2"-11-1/2	5/8"	4.00
31ee250	3"	3-1/2"	2-1/4"	2-1/4"	45	2-1/2"-8	1/2"	6.00

Hose & Clamps

D

Packing Box Hoses.....	50
Worm Gear Clamps.....	51
T-Bolt Clamps.....	52
Iron Single Bolt Clamps.....	53
Iron Double Bolt Clamps.....	53

In order to ensure proper function of products, it is strongly recommended that each part is inspected and serviced monthly. Inspection should include, but not be limited to, visible damage, excessive wear, and proper bonding. Failure to properly maintain your product may result in catastrophic failure and/or loss of life.

Packing Box Hose - Heavy Duty - Sold each


Part Number	Hose I. D.	Hose O. D.	Overall Length
80ho150	1-1/2"	2-1/4"	4"
80ho175	1-3/4"	2-3/8"	4-1/2"
80ho200	2"	2-3/4"	4"
80ho225	2-1/4"	3"	4-1/2"
80ho2375	2-3/8"	3-1/4"	5"
80ho250	2-1/2"	3-1/4"	5"
80ho2625	2-5/8"	3-1/8"	4-1/2"
80ho275	2-3/4"	3-1/4"	5-1/2"
80ho300	3"	3-3/4"	5-1/2"
80ho350	3-1/2"	4-1/4"	5-1/2"
80ho400	4"	4-3/4"	8"
80ho450	4-1/2"	5-1/4"	6"

Outside diameters are approximate

Packing Box Hose - Heavy Duty - 12" Sections* - Sold each


Part Number	Hose I. D.	Hose O. D.	Overall Length
80ho12512	1-1/4"	2"	12"
80ho15012	1-1/2"	2-1/4"	12"
80ho162512	1-5/8"	2-3/8"	12"
80ho17512	1-3/4"	2-3/8"	12"
80ho20012	2"	2-3/4"	12"
80ho22512	2-1/4"	3"	12"
80ho237512	2-3/8"	3-1/4"	12"
80ho25012	2-1/2"	3-1/4"	12"
80ho262512	2-5/8"	3-1/8"	12"
80ho27512	2-3/4"	3-1/4"	12"
80ho30012	3"	3-3/4"	12"
80ho35012	3-1/2"	4-1/4"	12"
80ho40012	4"	4-3/4"	12"
80ho45012	4-1/2"	5-1/4"	12"

Outside diameters are approximate

Stainless Steel Worm Gear Clamps - Sold each

Part Number	Diameter Range	
	Min.	Max.
70hss6c	7/16"	25/32"
70hss8c	1/2"	29/32"
70hss10c	7/16"	1-1/16"
70hss12c	11/16"	1-1/4"
70hss16c	13/16"	1-1/2"
70hss20c	13/16"	1-3/4"
70hss24c	1-1/16"	2"
70hss28c	1-5/16"	2-1/4"
70hss32c	1-9/16"	2-1/2"
70hss36c	1-13/16"	2-3/4"
70hss40c	2-1/16"	3"
70hss44c	2-5/16"	3-1/4"
70hss48c	2-9/16"	3-1/2"
70hss52c	2-13/16"	3-3/4"
70hss56c	3-1/16"	4"
70hss60c	3-5/16"	4-1/4"
70hss64c	3-9/16"	4-1/2"
70hss72c	4-1/8"	5"
70hss80c	4-5/8"	5-1/2"
70hss88c	5-1/8"	6"
70hss96c	5-5/8"	6-1/2"
70hss104c	6-1/8"	7"
70hss128c	5-5/8"	8-1/2"
70hss152c	7-1/8"	10"
70hss188c	10-1/4"	12-3/4"



- Recommended for all marine use
- SAE-301 series stainless steel band and screw housing
- SAE-305 series stainless steel screw
- 1/4" screw with a slotted hexagon head

Stainless Steel Miniature Worm Gear Clamps

Sold each

Part Number	Diameter Range	
	Min.	Max.
70mah4c	7/32"	5/8"
70mah6c	7/16"	25/32"
70mah8c	1/2"	29/32"
70mah10c	9/16"	1-1/16"
70mah12c	11/16"	1-1/4"
70mah16c	13/16"	1-1/2"
70mah20c	13/16"	1-3/4"



- Recommended for limited marine use
- SAE-300 series stainless steel band and screw housing
- SAE-410 series stainless steel screw
- 1/4" screw with a slotted hexagon head

Stainless Steel T-Bolt Band Clamps - Sold each



Part Number	Diameter Range	
	Min.	Max.
70stbc138	1.26"	1.44"
70stbc150	1.344"	1.562"
70stbc175	1.594"	1.812"
70stbc188	1.724"	1.942"
70stbc200	1.844"	2.062"
70stbc225	2.094"	2.312"
70stbc238	2.224"	2.442"
70stbc250	2.344"	2.562"
70stbc256	2.326"	2.622"
70stbc263	2.396"	2.692"
70stbc275	2.516"	2.812"
70stbc288	2.646"	2.942"
70stbc300	2.766"	3.062"
70stbc312	2.886"	3.182"
70stbc325	3.016"	3.312"
70stbc350	3.266"	3.562"
70stbc375	3.516"	3.812"
70stbc400	3.766"	4.062"
70stbc425	4.016"	4.312"

Part Number	Diameter Range	
	Min.	Max.
70stbc450	4.266"	4.562"
70stbc475	4.516"	4.812"
70stbc500	4.766"	5.062"
70stbc525	5.016"	5.312"
70stbc550	5.266"	5.562"
70stbc575	5.516"	5.812"
70stbc588	5.646"	5.942"
70stbc600	5.766"	6.062"
70stbc625	6.016"	6.312"
70stbc650	6.266"	6.562"
70stbc675	6.516"	6.812"
70stbc700	6.766"	7.062"
70stbc750	7.266"	7.562"
70stbc800	7.766"	8.062"
70stbc850	8.266"	8.562"
70stbc900	8.766"	9.062"
70stbc950	9.166"	9.562"
70stbc1000	9.766"	10.062"
70stbc1200	10.646"	10.942"

- 3/4" wide band
- #301 stainless steel band
- #305 stainless steel T-bolt
- 2-1/2" bolt length
- 18-8 stainless steel nut w/ nylon insert

Stainless Steel T-Bolt Band Clamps - Sold each



Part Number	Diameter Range	
	Min.	Max.
70stbc382L	3.37"	3.94"
70stbc420L	3.75"	4.32"
70stbc432L	3.87"	4.44"
70stbc450L	4.05"	4.62"
70stbc482L	4.37"	4.94"
70stbc532L	4.87"	5.44"
70stbc550L	5.05"	5.62"
70stbc582L	5.37"	5.94"
70stbc632L	5.87"	6.44"
70stbc675L	6.30"	6.87"
70stbc698L	6.53"	7.10"
70stbc875L	8.30"	8.87"
70stbc888L	8.43"	9.00"

Part Number	Diameter Range	
	Min.	Max.
70stbc907L	8.62"	9.19"
70stbc107L	10.25"	10.82"
70stbc1088	10.43"	11.00"
70stbc117L	10.72"	11.29"
70stbc126L	12.20"	12.77"
70stbc1288	12.43"	13.00"
70stbc132L	12.75"	13.32"
70stbc1475	14.32"	14.96"
70stbc1488	14.43"	15.00"
70stbc152L	14.75"	15.32"
70stbc1675	16.32"	16.96"
70stbc166L	16.20"	16.77"
70stbc168L	16.43"	17.00"

- 3/4" wide band
- #301 stainless steel band
- #305 stainless steel T-bolt
- 3-1/2" bolt length
- 18-8 stainless steel nut w/ nylon insert

Zinc Plated Malleable Iron Clamps - Single Bolt

Complete w/ machine bolt & hex nut - Sold each

Part Number	Diameter Range	
	Min.	Max.
30n02	7/8"	1"
30n03	31/32"	1-1/8"
30n04	1-1/16"	1-3/16"
30n05	1-5/32"	1-1/4"
30n06	1-1/4"	1-3/8"
30n07	1-11/32"	1-7/16"
30n08	1-7/16"	1-9/16"
30n09	1-17/32"	1-11/16"
30n010	1-21/32"	1-3/4"
30n011	1-3/4"	1-7/8"
30n012	1-7/8"	2-1/32"
30n013	2"	2-1/8"
30n014	2-1/8"	2-9/32"
30n015	2-1/4"	2-13/32"

Part Number	Diameter Range	
	Min.	Max.
30n016	2-3/8"	2-1/2"
30n017	2-1/2"	2-5/8"
30n018	2-5/8"	2-7/8"
30n019	2-7/8"	3-1/16"
30n020	3-1/16"	3-1/4"
30n021	3-1/4"	3-7/16"
30n022	3-7/16"	3-5/8"
30n023	3-5/8"	3-13/16"
30n024	3-13/16"	4-1/8"
30n025	4-1/8"	4-5/16"
30n026	4-1/4"	4-1/2"
30n027	4-7/16"	4-5/8"
30n0x27	4-5/8"	4-7/8"
30n028	4-7/8"	5-1/4"



D

Zinc Plated Malleable Iron Clamps - Double Bolt

Complete w/ machine bolts & hex nuts - Sold each

Part Number	Diameter Range	
	Min.	Max.
30db400	3-1/2"	3-13/16"
30db463	4-1/32"	4-9/32"
30db525	4-1/4"	4-15/16"
30db550	4-1/2"	5-1/32"
30db600	5-1/8"	5-11/16"
30db675	5-15/16"	6-1/2"
30db769	6-1/2"	7-9/16"
30db818	7-11/16"	8-3/16"
30db875	8-1/4"	8-7/8"
30db988	8-15/16"	9-7/8"
30db1125	9-15/16"	11-3/8"
30db1275	11-3/16"	13"
30db1450	13-3/16"	15"
30db1700	15-1/16"	17-1/2"



HOSE & CLAMPS



Plumbing Fittings

E

Pipe to Hose Adapters.....	56	Crosses.....	62
Elbow Pipe to Hose Adapters.....	57	Coupling Reducers.....	63
Hose to Hose Adapters.....	58	Hex Bushings.....	63
Elbow Hose to Hose Adapters.....	58	Close Nipples.....	64
Hose Menders.....	58	Long Nipples.....	64
Brass Male Inserts.....	59	Plugs.....	65
Brass Female Inserts.....	59	“Tuff-Lite” Hose Menders.....	65
King Combination Nipples.....	59	“Tuff-Lite” Hose Adapters.....	66
Street Elbows.....	60	“Tuff-Lite” Elbow Hose Adapters.....	66
Elbows.....	61-62	“Tuff-Lite” Tees.....	67
Couplings.....	62	Vented Loops.....	67
Tees.....	62	Sump Box Pick Up.....	67

In order to ensure proper function of products, it is strongly recommended that each part is inspected and serviced monthly. Inspection should include, but not be limited to, visible damage, excessive wear, and proper bonding. Failure to properly maintain your product may result in catastrophic failure and/or loss of life.

Bronze Pipe to Hose Adapters

Cast w/ hex for easy installation - Sold each



Part Number	Thread Size N.P.T.	Hose I. D.	Overall Length	Weight, lbs.
00hn50	1/2"	1/2"	2-7/32"	.15
00hn75	3/4"	3/4"	2-1/4"	.20
00hn100	1"	1"	2-5/8"	.40
00hn125	1-1/4"	1-1/4"	3"	.75
00hn150	1-1/2"	1-1/2"	3-1/16"	1.10
00hn200	2"	2"	3-1/16"	1.25
00hn250	2-1/2"	2-1/2"	3-5/8"	2.10
00hn300	3"	3"	3-7/8"	3.15
00hn400	4"	4"	5"	8.00

Bronze Pipe to Hose Adapters - Combination

Cast w/ hex for easy installation - Sold each

Part Number	Thread Size N.P.T.	Hose I. D.	Overall Length	Weight, lbs.
00hn505062	1/2"	5/8"	2-1/4"	.15
00hn5075	1/2"	3/4"	2-1/4"	.15
00hn75625	3/4"	5/8"	2-3/8"	.20
00hn7550	3/4"	1/2"	2"	.30
00hn75100	3/4"	1"	2-5/8"	.40
00hn751125	3/4"	1-1/8"	2-5/8"	.35
00hn100113	1"	1-1/8"	2-3/4"	.70
00hn100125	1"	1-1/4"	3"	.70
00hn1505	1-1/4"	1-1/2"	3-1/16"	1.10
00hn150175	1-1/2"	1-3/4"	3-1/16"	1.75
00hn150200	1-1/2"	2"	3-1/16"	1.75
00hn200175	2"	1-3/4"	3-1/16"	1.75
00hn200225	2"	2-1/4"	3"	1.25
00hn250300	2-1/2"	3"	3-7/8"	3.00

316 Stainless Steel Pipe to Hose Adapters

Cast w/ hex for easy installation - Sold each

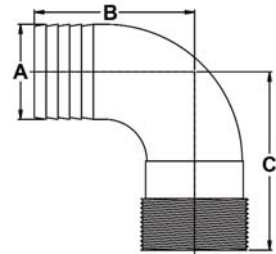


Part Number	Thread Size N.P.T.	Hose I. D.	Overall Length	Weight, lbs.
70hn025	1/4"	1/4"	1-13/16"	.05
70hn037	3/8"	3/8"	2"	.10
70hn050	1/2"	1/2"	2-1/2"	.17
70hn075	3/4"	3/4"	2-9/16"	.30
70hn100	1"	1"	3"	.45
70hn125	1-1/4"	1-1/4"	3-1/2"	.60
70hn150	1-1/2"	1-1/2"	3-1/2"	.85
70hn200	2"	2"	4"	1.35
70hn250	2-1/2"	2-1/2"	5-1/2"	2.30
70hn300	3"	3"	6"	2.85
70hn400	4"	4"	6-1/4"	5.60

Bronze Pipe to Hose Adapters - 90 Degrees

Cast w/ hex for easy installation - Sold each

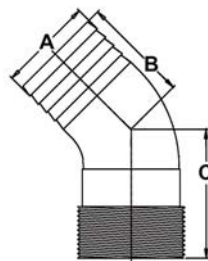
Part Number	Thread Size N.P.T.	Hose I. D. (A)	C to E (B)	C to E (C)	Weight, lbs.
00hn50e	1/2"	1/2"	2-1/8"	2-5/16"	.25
00hn75e	3/4"	3/4"	2-1/8"	2-3/8"	.35
00hn100e	1"	1"	2-1/4"	2-3/8"	.60
00hn100ecc	1"	1"	1-7/8"	1-3/4"	.70
00hn125e	1-1/4"	1-1/4"	2-11/16"	2-7/8"	.90
00hn150e	1-1/2"	1-1/2"	3-1/8"	3-3/8"	1.25
00hn200e	2"	2"	3-13/16"	3-15/16"	2.70
00hn250e	2-1/2"	2-1/2"	4-3/8"	4-3/8"	4.80
00hn300e	3"	3"	4-7/16"	4-1/8"	8.00
00hn400e	4"	4"	7-1/4"	6-1/2"	18.00



Bronze Pipe to Hose Adapters - 90 Degrees - Combination

Cast w/ hex for easy installation - Sold each

Part Number	Thread Size N.P.T.	Hose I. D. (A)	C to E (B)	C to E (C)	Weight, lbs.
00hn5075e	1/2"	3/4"	2-1/8"	1-3/4"	.30
00hn50562e	1/2"	5/8"	2-3/8"	3-5/16"	.30
00hn100125e	1"	1-1/4"	3-1/16"	3-1/16"	.75
00hn100125es	1"	1-1/4"	2-1/8"	2-1/4"	.75



Bronze Pipe to Hose Adapters - 45 Degrees

Cast w/ hex for easy installation - Sold each

Part Number	Thread Size N.P.T.	Hose I. D. (A)	C to E (B)	C to E (C)	Weight, lbs.
00hn20045e	2"	2"	2-1/2"	2-1/2"	2.20
00hn25045e	2-1/2"	2-1/2"	2-7/8"	2-7/8"	4.00

Bronze Hose to Hose Adapters

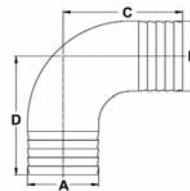
Cast part - Sold each



Part Number	Hose I. D.	Overall Length	Weight, lbs.
00hh125	1-1/4"	3-5/8"	.70
00hh150	1-1/2"	4"	1.10
00hh200	2"	4-1/2"	1.80

Bronze Hose to Hose Adapters - 90 Degrees

Cast part - Sold each



Part Number	Hose I. D. (A)	Hose I. D. (B)	C to E (C)	C to E (D)	Weight, lbs.
00hh150e	1-1/2"	1-1/2"	3-1/4"	3-1/4"	1.10
00hh250e	2-1/2"	2-1/2"	4-1/2"	4-1/2"	4.15
00hh300e	3"	3"	4-1/8"	4-1/8"	6.10

Brass Hose Menders - Sold each



Part Number	Hose I. D.
00bm15	3/16"
00bm2	1/4"
00bm25	5/16"
00bm3	3/8"

Part Number	Hose I. D.
00bm4	1/2"
00bm6	3/4"
00bm8	1"

316 Stainless Steel Hose Menders - Sold each



Part Number	Hose I. D.
70rdm6	3/4"
70rdm11	1"
70rdm16	1-1/4"
70rdm21	1-1/2"

Part Number	Hose I. D.
70rdm26	2"
70rdm36	3"
70rdm46	4"

Brass Male Inserts - Sold each

Part Number	Hose I. D.	Thread Size N. P. T.	Part Number	Hose I. D.	Thread Size N. P. T.
00bn11	1/8"	1/8"	00bn34	3/8"	1/2"
00bn151	3/16"	1/8"	00bn42	1/2"	1/4"
00bn152	3/16"	1/4"	00bn43	1/2"	3/8"
00bn21	1/4"	1/8"	00bn44	1/2"	1/2"
00bn22	1/4"	1/4"	00bn46	1/2"	3/4"
00bn23	1/4"	3/8"	00bn53	5/8"	3/8"
00bn251	5/16"	1/8"	00bn54	5/8"	1/2"
00bn252	5/16"	1/4"	00bn56	5/8"	3/4"
00bn253	5/16"	3/8"	00bn64	3/4"	1/2"
00bn31	3/8"	1/8"	00bn66	3/4"	3/4"
00bn32	3/8"	1/4"	00bn86	1"	3/4"
00bn33	3/8"	3/8"	00bn88	1"	1"


E

Brass Female Inserts - Sold each

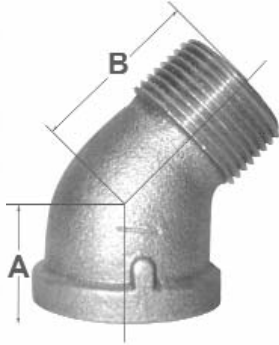
Part Number	Hose I. D.	Thread Size N. P. T.	Part Number	Hose I. D.	Thread Size N. P. T.
00bf11	1/8"	1/8"	00bf31	3/8"	1/8"
00bf21	1/4"	1/8"	00bf32	3/8"	1/4"
00bf22	1/4"	1/4"	00bf33	3/8"	3/8"
00bf251	5/16"	1/8"	00bf43	1/2"	3/8"
00bf252	5/16"	1/4"	00bf44	1/2"	1/2"



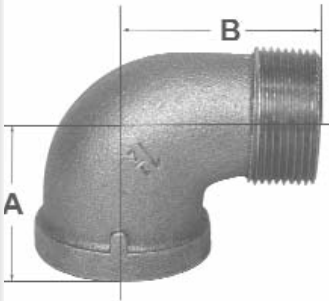
King Combination Nipples - Available in plated steel, stainless steel, red brass, & aluminum - Sold each

Part Number Plated Steel	Part Number Stainless Steel	Part Number Aluminum	Part Number Red Brass	Hose I. D.	Thread Size N. P. T.
bbstc1	70rst1	20ast1	00bst1	1/2"	1/2"
bbstc5	70rst5	20ast5	00bst5	3/4"	3/4"
bbstc10	70rst10	20ast10	00bst10	1"	1"
bbstc15	70rst15	20ast15	00bst15	1-1/4"	1-1/4"
bbstc20	70rst20	20ast20	00bst20	1-1/2"	1-1/2"
bbstc25	70rst25	20ast25	00bst25	2"	2"
bbstc30	70rst30	20ast30	00bst30	2-1/2"	2-1/2"
bbstc35	70rst35	20ast35	00bst35	3"	3"
bbstc40	70rst40	20ast40	00bst40	4"	4"
bbstc50	70rst50	20ast50	n/a	5"	5"
bbstc60	70rst60	20ast60	n/a	6"	6"
bbstc80	70rst80	n/a	n/a	8"	8"
bbstc100	n/a	n/a	n/a	10"	10"
bbstc120	n/a	n/a	n/a	12"	12"


PLUMBING FITTINGS

Bronze Street Elbows - 45 Degrees - Sold each


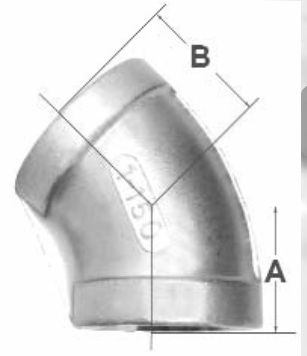
Part Number	Thread Size N. P. T.	C to E (A)	C to E (B)	Weight, lbs.
00103h011	1/8"	1/4"	7/16"	.05
00103h025	1/4"	11/32"	9/16"	.10
00103h037	3/8"	3/8"	5/8"	.10
00103h050	1/2"	29/64"	51/64"	.15
00103h075	3/4"	1/2"	9/32"	.30
00103h100	1"	39/64"	1-5/64"	.50
00103h125	1-1/4"	43/64"	1-1/4"	.75
00103h150	1-1/2"	45/64"	1-5/16"	1.00
00103h200	2"	3/4"	1-15/32"	2.05

Bronze Street Elbows - 90 Degrees - Sold each


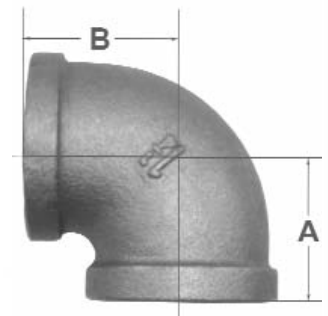
Part Number	Thread Size N. P. T.	C to E (A)	C to E (B)	Weight, lbs.
00103011	1/8"	35/64"	59/64"	.05
00103025	1/4"	23/32"	1-7/64"	.10
00103037	3/8"	53/64"	1-1/4"	.15
00103050	1/2"	1-1/32"	1-1/2"	.20
00103075	3/4"	1-3/16"	1-21/32"	.35
00103100	1"	1-7/16"	1-63/64"	.65
00103125	1-1/4"	1-23/32"	2-1/4"	1.10
00103150	1-1/2"	1-7/8"	2-29/64"	1.15
00103200	2"	2-9/64"	2-63/64"	2.10
00103250	2-1/2"	2-3/4"	3-59/64"	3.80
00103300	3"	3-7/64"	4-29/64"	6.40
00103400	4"	4"	6"	11.95

Bronze Elbows - 45 Degrees - Sold each

Part Number	Thread Size N. P. T.	C to E (A)	C to E (B)	Weight, lbs.
00102011	1/8"	7/16"	7/16"	.05
00102025	1/4"	35/64"	35/64"	.10
00102037	3/8"	5/8"	5/8"	.10
00102050	1/2"	51/64"	51/64"	.20
00102075	3/4"	29/32"	29/32"	.35
00102100	1"	1-5/64"	1-5/64"	.55
00102125	1-1/4"	1-1/4"	1-1/4"	.90
00102150	1-1/2"	1-5/16"	1-5/16"	1.10
00102200	2"	1-15/32"	1-15/32"	1.55
00102250	2-1/2"	2"	2"	3.30
00102300	3"	2-1/4"	2-1/4"	4.90
00102400	4"	2-1/2"	2-1/2"	8.00


Bronze Elbows - 90 Degrees - Sold each

Part Number	Thread Size N. P. T.	C to E (A)	C to E (B)	Weight, lbs.
00101011	1/8"	35/64"	35/64"	.10
00101025	1/4"	23/32"	23/32"	.10
00101037	3/8"	53/64"	53/64"	.15
00101050	1/2"	1-1/32"	1-1/32"	.25
00101075	3/4"	1-3/16"	1-3/16"	.35
00101100	1"	1-7/16"	1-7/16"	.60
00101125	1-1/4"	1-23/32"	1-23/32"	.95
00101150	1-1/2"	1-7/8"	1-7/8"	1.35
00101200	2"	2-9/64"	2-9/64"	2.35
00101250	2-1/2"	2-3/4"	2-3/4"	3.80
00101300	3"	3-7/64"	3-7/64"	5.20



Bronze Couplings - Sold each

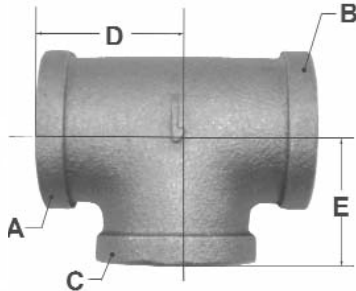


Part Number	Thread Size N. P. T.	Overall Length	Weight, lbs.
00111011	1/8"	51/64"	.05
00111025	1/4"	51/64"	.10
00111037	3/8"	1-3/64"	.15
001110050	1/2"	1-19/64"	.20
00111075	3/4"	1-7/16"	.30

Part Number	Thread Size N. P. T.	Overall Length	Weight, lbs.
00111100	1"	1-11/16"	.45
00111125	1-1/4"	1-7/8"	.80
00111150	1-1/2"	1-59/64"	1.00
00111200	2"	2-13/64"	1.55
00111300	3"	3-3/16"	3.60

Stainless steel may be available upon request.

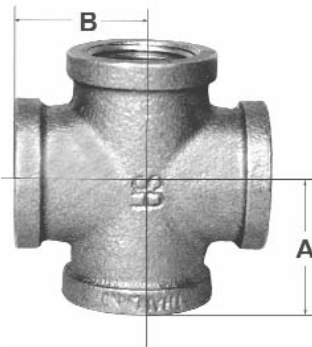
Bronze Tees - Sold each



Part Number	Thread Size N. P. T. (A)	Thread Size N. P. T. (B)	Thread Size N. P. T. (C)	C to E (D)	C to E (E)	Weight, lbs.
00106011t	1/8"	1/8"	1/8"	35/64"	35/64"	.10
00106025t	1/4"	1/4"	1/4"	23/32"	23/32"	.15
00106037t	3/8"	3/8"	3/8"	53/64"	53/64"	.25
00103050t	1/2"	1/2"	1/2"	1-1/32"	1-1/32"	.30
00106075t	3/4"	3/4"	3/4"	31/64"	31/64"	.50
00106100t	1"	1"	1"	27/32"	27/32"	.85
00106125t	1-1/4"	1-1/4"	1-1/4"	1-3/16"	1-3/16"	1.20
00106150t	1-1/2"	1-1/2"	1-1/2"	1-7/8"	1-7/8"	1.70
00106200t	2"	2"	2"	2-9/64"	2-9/64"	2.70
001062015t	2"	2"	1-1/2"	1-7/8"	2-1/8"	2.50
00106252520t	2-1/2"	2-1/2"	2"	2-3/8"	2-5/8"	4.25
00106250t	2-1/2"	2-1/2"	2-1/2"	2-3/4"	2-3/4"	
00106300t	3"	3"	3"	3-7/64"	3-7/64"	6.70
00106400t	4"	4"	4"	4"	4"	11.30

Stainless steel may be available upon request.

Bronze Crosses - Sold each



Part Number	Thread Size N. P. T.	C to E (A)	C to E (B)	Weight, lbs.
00110011	1/8"	5/8"	5/8"	.15
00110025	1/4"	23/32"	23/32"	.20
00110037	3/8"	53/64"	53/64"	.30
00110050	1/2"	1-1/32"	1-1/32"	.40
00110075	3/4"	1-3/16"	1-3/16"	.60
00110100	1"	1-3/16"	1-3/16"	1.15
00110125	1-1/4"	1-23/32"	1-23/32"	1.70
00110150	1-1/2"	1-7/8"	1-7/8"	2.00
00110200	2"	2-9/64"	2-9/64"	2.50

Stainless steel may be available upon request.

E

Bronze Coupling Reducers - Sold each

Part Number	Thread Size N. P. T.	Overall Length	Weight, lbs.
00112011	1/4" x 1/8"	7/8"	.10
00112025	3/8" x 1/4"	59/64"	.10
00112037	1/2" x 3/8"	1-11/64"	.15
00112050	3/4" x 1/2"	1-23/64"	.25
00112075	1" x 3/4"	1-9/16"	.45
00112100	1-1/4" x 1"	1-49/64"	.65
00112125	1-1/2" x 1-1/4"	1-51/64"	.85

Part Number	Thread Size N. P. T.	Overall Length	Weight, lbs.
00112200125	2" x 1-1/4"	2-1/32"	1.35
00112150	2" x 1-1/2"	2-1/32"	1.75
00112200	2-1/2" x 2"	3-5/32"	2.35
00112300200	3" x 2"	3-45/64"	2.40
00112300250	3" x 2-1/2"	3-45/64"	3.80
00112400200	4" x 2"	4-3/8"	5.35
00112300	4" x 3"	4-3/8"	6.10


E

Bronze Hex Bushings - Sold each

Part Number	Thread Size N. P. T.	Overall Length	Weight, lbs.
00114025011	1/4" x 1/8"	37/64"	.05
00114037011	3/8" x 1/8"	41/64"	.05
00114037025	3/8" x 1/4"	41/64"	.05
00114050011	1/2" x 1/8"	3/4"	.10
00114050025	1/2" x 1/4"	3/4"	.10
00114050037	1/2" x 3/8"	3/4"	.10
00114075011	3/4" x 1/8"	7/8"	.15
00114075025	3/4" x 1/4"	55/64"	.15
00114075037	3/4" x 3/8"	55/64"	.15
00114075050	3/4" x 1/2"	55/64"	.15
00114100025	1" x 1/4"	1-3/64"	.30
00114100037	1" x 3/8"	1-3/64"	.25
00114100050	1" x 1/2"	1"	.25
00114100075	1" x 3/4"	1"	.25
00114125025	1-1/4" x 1/4"	1-7/32"	.35
00114125037	1-1/4" x 3/8"	1-3/16"	.30
00114125050	1-1/4" x 1/2"	1-9/64"	.50
00114125075	1-1/4" x 3/4"	1-5/64"	.45
00114125100	1-1/4" x 1"	1-5/64"	.35
00114150025	1-1/2" x 1/4"	1-3/32"	.30

Part Number	Thread Size N. P. T.	Overall Length	Weight, lbs.
00114150037	1-1/2" x 3/8"	1-23/64"	.45
00114150050	1-1/2" x 1/2"	1-13/64"	.50
00114150075	1-1/2" x 3/4"	1-13/64"	.50
00114150100	1-1/2" x 1"	1-9/64"	.60
00114150125	1-1/2" x 1-1/4"	1-9/64"	.40
00114200025	2" x 1/4"	1-17/64"	1.15
00114200050	2" x 1/2"	1-17/64"	1.10
00114200075	2" x 3/4"	1-17/64"	.75
00114200100	2" x 1"	1-19/64"	.90
00114200125	2" x 1-1/4"	1-7/32"	1.00
00114200150	2" x 1-1/2"	1-7/32"	.75
00114250100	2-1/2" x 1"	1-17/32"	1.20
00114250150	2-1/2" x 1-1/2"	1-1/2"	1.15
00114250200	2-1/2" x 2"	1-7/16"	1.10
00114300150	3" x 1-1/2"	1-39/64"	2.45
00114300200	3" x 2"	1-39/64"	1.80
00114300250	3" x 2-1/2"	1-17/32"	2.10
00114400200	4" x 2"	1-3/4"	2.90
00114400300	4" x 3"	1-7/8"	3.60





Brass Close Nipples - Sold each

Part Number	Thread Size N. P. T.	Overall Length	Pipe O.D.	Pipe I. D.	Wall Thickness	Weight, lbs.
00011cn	1/8"	3/4"	.405"	.281"	.062"	.05
00025cn	1/4"	7/8"	.540"	.376"	.082"	.05
00037cn	3/8"	1"	.675"	.495"	.090"	.05
00050cn	1/2"	1-1/8"	.840"	.626"	.107"	.05
00075cn	3/4"	1-3/8"	1.050"	.822"	.114"	.10
00100cn	1"	1-1/2"	1.315"	1.063"	.126"	.15
00125cn	1-1/4"	1-5/8"	1.660"	1.368"	.146"	.25
00150cn	1-1/2"	1-3/4"	1.900"	1.600"	.150"	.35
00200cn	2"	2"	2.375"	2.063"	.156"	.55
00250cn	2-1/2"	2-1/2"	2.875"	2.501"	.187"	.90
00300cn	3"	2-5/8"	3.500"	3.062"	.219"	1.35
00400cn	4"	2-7/8"	4.500"	4.000"	.250"	2.25

Brass Long Nipples - Sold each

Part Number	Thread Size N. P. T.	Overall Length	Pipe O.D.	Pipe I. D.	Wall Thickness	Weight, lbs.
00025x02Ln	1/4"	2"	.540"	.376"	.082"	.05
00025x03Ln	1/4"	3"	.540"	.376"	.082"	.10
00025x04Ln	1/4"	4"	.540"	.376"	.082"	.15
00025x05Ln	1/4"	5"	.540"	.376"	.082"	.20
00025x12Ln	1/4"	12"	.540"	.376"	.082"	.45
00050x03Ln	1/2"	3"	.840"	.626"	.107"	.20
00050x05Ln	1/2"	5"	.840"	.626"	.107"	.35
00050x06Ln	1/2"	6"	.840"	.626"	.107"	.40
00075x02Ln	3/4"	2"	1.050"	.822"	.114"	.10
00075x25Ln	3/4"	2-1/2"	1.050"	.822"	.114"	.20
00075x04Ln	3/4"	4"	1.050"	.822"	.114"	.35
00075x06Ln	3/4"	6"	1.050"	.822"	.114"	.55
00100x02Ln	1"	2"	1.315"	1.063"	.126"	.25
00100x04Ln	1"	4"	1.315"	1.063"	.126"	.50
00125x04Ln	1-1/4"	4"	1.660"	1.368"	.146"	.80
00150x04Ln	1-1/2"	4"	1.900"	1.600"	.150"	.95
00150x06Ln	1-1/2"	6"	1.900"	1.600"	.150"	1.45
00150x12Ln	1-1/2"	12"	1.900"	1.600"	.150"	2.90
00200x03Ln	2"	3"	2.375"	2.063"	.156"	.90
00200x04Ln	2"	4"	2.375"	2.063"	.156"	1.25
00200x06Ln	2"	6"	2.375"	2.063"	.156"	1.90
00200x12Ln	2"	12"	2.375"	2.063"	.156"	3.80
0025x03Ln	2-1/2"	3"	2.875"	2.501"	.187"	1.15
0025x04Ln	4"	4"	2.875"	2.501"	.187"	1.90
0025x06Ln	2-1/2"	6"	2.875"	2.501"	.187"	2.60
00300x06Ln	3"	6"	3.500"	3.062"	.219"	3.90
00400x06Ln	4"	6"	4.500"	4.000"	.250"	5.60
00400x07Ln	4"	7"	4.500"	4.000"	.250"	6.50

Other sizes may be available upon request.

E

PLUMBING FITTINGS

Bronze Solid Plugs - Square Head - Sold each

Part Number	Thread Size N. P. T.	Overall Length	Weight, lbs.
00117a011	1/8"	1/2"	.05
00117a025	1/4"	11/16"	.05
00117a037	3/8"	23/32"	.10
00117a050	1/2"	59/64"	.10
00117a075	3/4"	1"	.15
00117a100	1"	1-3/16"	.25
00117a125	1-1/4"	1-1/4"	.40
00117a150	1-1/2"	1-23/64"	.50
00117a200	2"	1-7/16"	.80



E

Bronze Cored Plugs - Square Head - Sold each

Part Number	Thread Size N. P. T.	Overall Length	Weight, lbs.
00117050	1/2"	59/64"	.05
00117075	3/4"	1"	.10
00117100	1"	1-3/16"	.15
00117125	1-1/4"	1-1/4"	.20
00117150	1-1/2"	1-11/32"	.30



"Tuff-Life" Nylon Plugs - Square Head - Sold each

Part Number	Thread Size N. P. T.	Overall Length	Part Number	Thread Size N. P. T.	Overall Length
60tps1	1/8"	5/8"	60tps6	3/4"	1"
60tps2	1/4"	3/4"	60tps8	1"	1-1/8"
60tps3	3/8"	3/4"	60tps10	1-1/4"	1-1/4"
60tps4	1/2"	7/8"			



"Tuff-Life" Nylon Hose Menders - Sold each

Part Number	Thread Size N. P. T.	Overall Length	Part Number	Thread Size N. P. T.	Overall Length
60tm2	1/4"	2-1/4"	60tm6	3/4"	2-3/8"
60tm25	5/16"	2-1/4"	60tm8	1"	2-1/4"
60tm3	3/8"	2-1/4"	60tm16	1-1/4"	3"
60tm4	1/2"	2-3/8"	60tm21	1-1/2"	3-1/2"
60tm5	5/8"	2-3/8"	60tm26	2"	4-5/8"





“Tuff-Lite” Nylon Hose Adapters

Hexed for easy installation - Sold each

Part Number	Pipe Size N.P.T.	Hose I. D.	Overall Length
60tn22	1/4"	1/4"	1-3/4"
60tn33	3/8"	3/8"	1-3/4"
60tn44	1/2"	1/2"	1-3/4"
60tn66	3/4"	3/4"	2"

Part Number	Pipe Size N.P.T.	Hose I. D.	Overall Length
60tn88	1"	1"	2"
60tn150	1-1/4"	1-1/4"	2-3/4"
60tn200	1-1/2"	1-1/2"	2-3/4"
60tn250	2"	2"	4-1/4"

“Tuff-Lite” Nylon Hose Adapters - Combination

Hexed for easy installation - Sold each

Part Number	Pipe Size N.P.T.	Hose I. D.	Overall Length
60tn21	1/8"	1/4"	1-5/8"
60tn23	3/8"	1/4"	1-3/4"
60tn24	1/2"	1/4"	1-3/4"
60tn26	3/4"	1/4"	1-7/8"
60tn28	1"	1/4"	1-7/8"
60tn252	1/4"	5/16"	1-7/8"
60tn31	1/8"	3/8"	1-3/4"
60tn32	1/4"	3/8"	1-3/4"
60tn34	1/2"	3/8"	1-7/8"
60tn36	3/4"	3/8"	1-7/8"
60tn41	1/8"	1/2"	1-3/4"
60tn42	1/4"	1/2"	1-3/4"

Part Number	Pipe Size N.P.T.	Hose I. D.	Overall Length
60tn43	3/8"	1/2"	1-3/4"
60tn46	3/4"	1/2"	1-7/8"
60tn53	3/8"	5/8"	1-3/4"
60tn54	1/2"	5/8"	1-3/4"
60tn56	3/4"	5/8"	1-7/8"
60tn63	3/8"	3/4"	1-3/4"
60tn64	1/2"	3/4"	1-7/8"
60tn68	1"	3/4"	1-7/8"
60tn86	3/4"	1"	2"
60tn158	1"	1-1/4"	2-3/8"
60tn1520	1-1/2"	1-1/4"	2-3/4"
60tn2015	1-1/4"	1-1/2"	2-5/8"



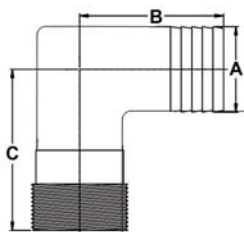
“Tuff-Lite” Nylon Elbows - 90 Degrees

Hexed for easy installation - Sold each

Part Number	Pipe Size N.P.T.	Hose I. D. (A)	C to E (B)	C to E (C)
60tIs22	1/4"	1/4"	1-1/4"	1-1/4"
60tIs33	3/8"	3/8"	1-1/4"	1-3/8"
60tIs44	1/2"	1/2"	1-1/4"	1-1/2"
60tIs66	3/4"	3/4"	1-3/8"	1-3/4"
60tIs88	1"	1"	1-3/4"	1-7/8"

“Tuff Lite” Nylon Elbows - 90 Degrees - Combination

Hexed for easy installation - Sold each



Part Number	Pipe Size N.P.T.	Hose I. D. (A)	C to E (B)	C to E (C)
60tIs21	1/8"	1/4"	1-1/4"	1-1/8"
60tIs23	3/8"	1/4"	1-1/4"	1-1/4"
60tIs31	1/8"	3/8"	1-1/4"	1-1/4"
60tIs32	1/4"	3/8"	1-1/4"	1-1/4"
60tIs34	1/2"	3/8"	1-1/8"	1-3/8"
60tIs36	3/4"	3/8"	1-1/8"	1-3/8"
60tIs42	1/4"	1/2"	1-1/4"	1-1/4"
60tIs43	3/8"	1/2"	1-1/4"	1-1/2"
60tIs46	3/4"	1/2"	1-1/4"	1-5/8"

Part Number	Pipe Size N.P.T.	Hose I. D. (A)	C to E (B)	C to E (C)
60tIs48	1/8"	1/2"	1-1/4"	1-1/2"
60tIs53	3/8"	5/8"	1-1/4"	1-5/8"
60tIs54	1/2"	5/8"	1-1/4"	1-3/4"
60tIs56	3/4"	5/8"	1-3/8"	1-3/4"
60tIs58	1"	5/8"	1-1/4"	1-3/4"
60tIs63	3/8"	3/4"	1-3/8"	1-5/8"
60tIs64	1/2"	3/4"	1-1/4"	1-5/8"
60tIs68	1"	3/4"	1-3/8"	1-3/4"
60tIs86	3/4"	1"	1-3/4"	1-3/4"

“Tuff-Lite” Nylon Tees - Sold each

Part Number	Hose I. D.
60tsss222	1/4" x 1/4" x 1/4"
60tsss333	3/8" x 3/8" x 3/8"
60tsss444	1/2" x 1/2" x 1/2"
60tsss666	3/4" x 3/4" x 3/4"



Bronze Vented Loop

Complete w/ joker valve - Sold each

Part Number	Hose I. D.	Overall Height	Overall Width	Weight, lbs.
00vL75	3/4"	2-1/2"	2-1/4"	.40



Replacement Joker Valve - Sold each

Part Number	Use with Part Number
60vL75cv	00vL75



Bronze Vented Loop

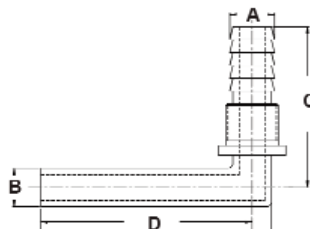
Complete w/ joker valve - Sold each

Part Number	Hose I. D.	Overall Height	Overall Width	Weight, lbs.
00vL150	1-1/2"	6-1/4"	7"	2.75



Replacement Joker Valve - Sold each

Part Number	Use with Part Number
60vL150j	00vL150



316 Stainless Steel Sump Box Pick Up

Complete w/ nut - Sold each

Part Number	Hose I. D. (A)	Tube O.D. (B)	C to E (C)	C to E (D)	Weight, lbs.
tb197781	7/8"	3/4"	3-1/8"	4-1/4"	.75



E

PLUMBING FITTINGS



Shafting & Accessories F

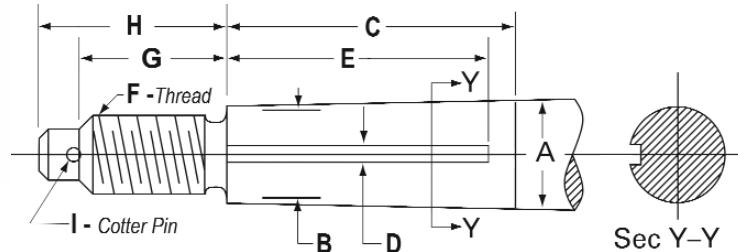
Shafting.....70 Propeller Shaft Kits.....71 Propeller Full Nuts.....71 Propeller Jam Nuts.....71 Keystock.....72 Prop Knockers.....72 Propeller Shaft Collars.....72	Transmission Couplers..... 73-77 Transmission Guide.....78-79 Flange Puller.....80 Coupler Flange Bolts.....80 Coupler Pinch Bolts.....80 Setscrews.....80
---	---

In order to ensure proper function of products, it is strongly recommended that each part is inspected and serviced monthly. Inspection should include, but not be limited to, visible damage, excessive wear, and proper bonding. It is also recommended that a naval engineer is consulted for proper application of hardware. Failure to properly maintain your product may result in catastrophic failure and/or loss of life.



Buck Algonquin offers premium marine grade propeller shafting. Our standard grades are AQ19 and AQ22, which are both superior in corrosion resistance and strength as compared to standard 304 or 316 stainless steel. All shafts are precision machined to SAE specification J755. 3/4" thru 4" shafting is standardly available, with other sizes available upon request. Shafts are supplied with keystock, cotter pins, full and jam nuts.

Our knowledgeable staff will help guide you through the appropriate procedures for ordering your shaft. Special machining is available upon request. Typical lead time is 7-10 days from the time of order.



Marine Propeller Shaft Dimensions - SAE Specification J755

Shaft Diameter (A)	Small End Diameter* (B)	Taper Length** (C)	Keyway Width (D)	Keyway Length (E)	Thread Size (F)	End Of Taper to End of Thread (G)	End of Taper to End of Shaft (H)	Cotter Pin Diameter (I)	Cotter Pin Length (I)
3/4"	.625"	2"	3/16"	1-1/2"	1/2"-13	1-1/16"	1-5/16"	1/8"	3/4"
7/8"	.727"	2-3/8"	1/4"	1-25/32"	5/8"-11	1-1/4"	1-1/2"	1/8"	3/4"
1"	.828"	2-3/4"	1/4"	2-1/8"	3/4"-10	1-7/16"	1-3/4"	1/8"	1"
1-1/8"	.930"	3-1/8"	1/4"	2-1/8"	3/4"-10	1-7/16"	1-3/4"	1/8"	1"
1-1/4"	1.033"	3-1/2"	5/16"	2-13/16"	7/8"-9	1-5/8"	2"	5/32"	1-1/4"
1-3/8"	1.133"	3-7/8"	5/16"	3-3/16"	1"-8	1-13/16"	2-1/4"	5/32"	1-1/2"
1-1/2"	1.234"	4-1/4"	3/8"	3-1/2"	1-1/8"-7	2"	2-7/16"	5/32"	1-1/2"
1-3/4"	1.438"	5"	7/16"	4-7/32"	1-1/4"-7	2-1/4"	2-3/4"	3/16"	1-3/4"
2"	1.641"	5-3/4"	1/2"	4-15/16"	1-1/2"-6	2-5/8"	3-1/8"	3/16"	2"
2-1/4"	1.844"	6-1/2"	9/16"	5-5/8"	1-3/4"-5	3"	3-1/2"	1/4"	2-1/4"
2-1/2"	2.047"	7-1/4"	5/8"	6-3/32"	1-3/4"-5	3"	3-1/2"	1/4"	2-1/4"
2-3/4"	2.258"	7-7/8"	5/8"	6-21/32"	2"-4-1/2	3-1/2"	4"	1/4"	2-1/2"
3"	2.461"	8-5/8"	3/4"	7-11/32"	2-1/4"-4-1/2	3-7/8"	4-3/8"	1/4"	3"
3-1/4"	2.661"	9-3/8"	3/4"	8-1/2"	2-1/2"-4	4-3/8"	5-1/8"	3/8"	3"
3-1/2"	2.867"	10-1/8"	7/8"	9-1/4"	2-1/2"-4	4-3/8"	5-1/8"	3/8"	3"
3-3/4"	3.070"	10-7/8"	7/8"	10"	2-3/4"-4	4-3/4"	5-1/2"	3/8"	3-1/2"
4"	3.273"	11-5/8"	1"	10-1/2"	3"-4	5-1/8"	5-7/8"	3/8"	3-1/2"

*Tolerances are +/- .001"

**Taper Angle: 3/4" per foot

F

Propeller Shaft Kits - Kit includes a full nut, jam nut, keystock, and cotter pin - Sold in complete sets

Part Number	Shaft Size	Full & Jam Nut Thread Size	Keystock Dimensions	Cotter Pin Dimensions
psk75	3/4"	1/2"-13	3/16" x 1-1/2"	1/8" x 3/4"
psk87	7/8"	5/8"-11	1/4" x 1-25/32"	1/8" x 3/4"
psk100	1"	3/4"-10	1/4" x 2-1/8"	1/8" x 1"
psk112	1-1/8"	3/4"-10	1/4" x 2-1/8"	1/8" x 1"
psk125	1-1/4"	7/8"-9	5/16" x 2-13/16"	5/32" x 1-1/4"
psk138	1-3/8"	1"-8	5/16" x 3-3/16"	5/32" x 1-1/2"
psk150	1-1/2"	1-1/8"-7	3/8" x 3-1/2"	5/32" x 1-1/2"
psk175	1-3/4"	1-1/4"-7	7/16" x 4-7/32"	3/16" x 1-3/4"
psk200	2"	1-1/2"-6	1/2" x 4-15/16"	3/16" x 2"
psk225	2-1/4"	1-3/4"-5	9/16" x 5-5/8"	1/4" x 2-1/4"
psk250	2-1/2"	1-3/4"-5	5/8" x 6-3/32"	1/4" x 2-1/4"
psk275	2-3/4"	2"-4-1/2	5/8" x 6-21/32"	1/4" x 2-1/2"
psk300	3"	2-1/4"-4-1/2	3/4" x 7-11/32"	1/4" x 3"



Propeller Full Nuts

Available in brass or stainless steel - Sold each

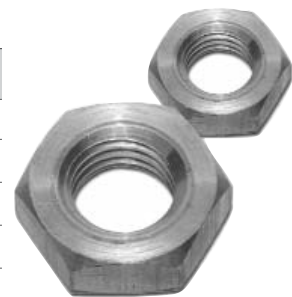
Part Number Brass	Part Number Stainless Steel	Thread Size	Shaft Size	Part Number Brass	Part Number Stainless Steel	Thread Size	Shaft Size
75hexnut	n/a	1/2"-13	3/4"	1.75hexnut	1.75hexnutss	1-1/4"-7	1-3/4"
875hexnut	875hexnutss	5/8"-11	7/8"	2.00hexnut	2.00hexnutss	1-1/2"-6	2"
1.00hexnut	1.00hexnutss	3/4"-10	1"	2.50hexnut	n/a	1-3/4"-5	2-1/2"
1.12hexnut	1.12hexnutss	3/4"-10	1-1/8"	2.75hexnut	n/a	2"-4-1/2	2-3/4"
1.25hexnut	1.25hexnutss	7/8"-9	1-1/4"	3.00hexnut	n/a	2-1/4"-4-1/2	3"
1.37hexnut	1.37hexnutss	1"-8	1-3/8"	3.50hexnut	n/a	2-1/2"-4	3-1/2"
1.50hexnut	1.50hexnutss	1-1/8"-7	1-1/2"	4.00hexnut	n/a	3"-4	4"



Propeller Jam Nuts

Available in brass or stainless steel - Sold each

Part Number Brass	Part Number Stainless Steel	Thread Size	Shaft Size	Part Number Brass	Part Number Stainless Steel	Thread Size	Shaft Size
75jamnut	n/a	1/2"-13	3/4"	1.75jamnut	1.75jamnutss	1-1/4"-7	1-3/4"
875jamnut	875jamnutss	5/8"-11	7/8"	2.00jamnut	2.00jamnutss	1-1/2"-6	2"
1.00jamnut	1.00jamnutss	3/4"-10	1"	2.50jamnut	n/a	1-3/4"-5	2-1/2"
1.12jamnut	1.12jamnutss	3/4"-10	1-1/8"	2.75jamnut	n/a	2"-4-1/2	2-3/4"
1.25jamnut	1.25jamnutss	7/8"-9	1-1/4"	3.00jamnut	n/a	2-1/4"-4-1/2	3"
1.37jamnut	1.37jamnutss	1"-8	1-3/8"	3.50jamnut	n/a	2-1/2"-4	3-1/2"
1.50jamnut	1.50jamnutss	1-1/8"-7	1-1/2"	4.00jamnut	n/a	3"-4	4"



Shaft Keystock

Available in brass or 316 stainless steel - Sold by the foot*



Part Number Brass	Part Number Stainless Steel	Size, Square
keys18x1ff	keys18x1ftss	3/16"
keys25x1ff	keys25x1ftss	1/4"
keys31x1ff	keys31x1ftss	5/16"
keys37x1ff	keys37x1ftss	3/8"
keys43x1ff	keys43x1ftss	7/16"
keys50x1ff	keys50x1ftss	1/2"
keys56x1ff	keys56x1ftss	9/16"
keys62x1ff	keys62x1ftss	5/8"
keys75x1ff	keys75x1ftss	3/4"

* Available up to 6' lengths.

Prop Knockers - Propeller Removal Tool

Cast bronze - Sold each



Part Number	Thread Size	Shaft Size	Weight, lbs.
00pk100	3/4"-10	1"	1.20
00pk125	7/8"-9	1-1/4"	1.35
00pk138	1"-8	1-3/8"	4.20
00pk150	1-1/8"-7	1-1/2"	5.05
00pk175	1-1/4"-7	1-3/4"	4.10
00pk200	1-1/2"-6	2"	4.65
00pk250	1-3/4"-5	2-1/2"	6.65
00pk275	2"-4-1/2	2-3/4"	5.50
00pk300	2-1/4"-4-1/2	3"	9.55

316 Stainless Steel Shaft Collars

Complete w/ two setscrews - Sold each



Part Number	Shaft Diameter	Outside Diameter	Overall Height	Weight, lbs.
70rc100	1"	1-3/4"	5/8"	.25
70rc113	1-1/8"	1-3/4"	5/8"	.25

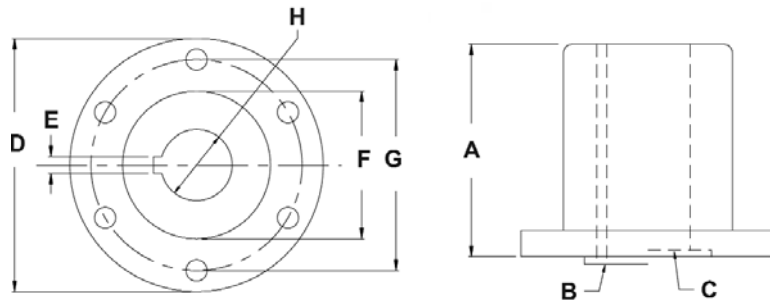
Transmission Couplers



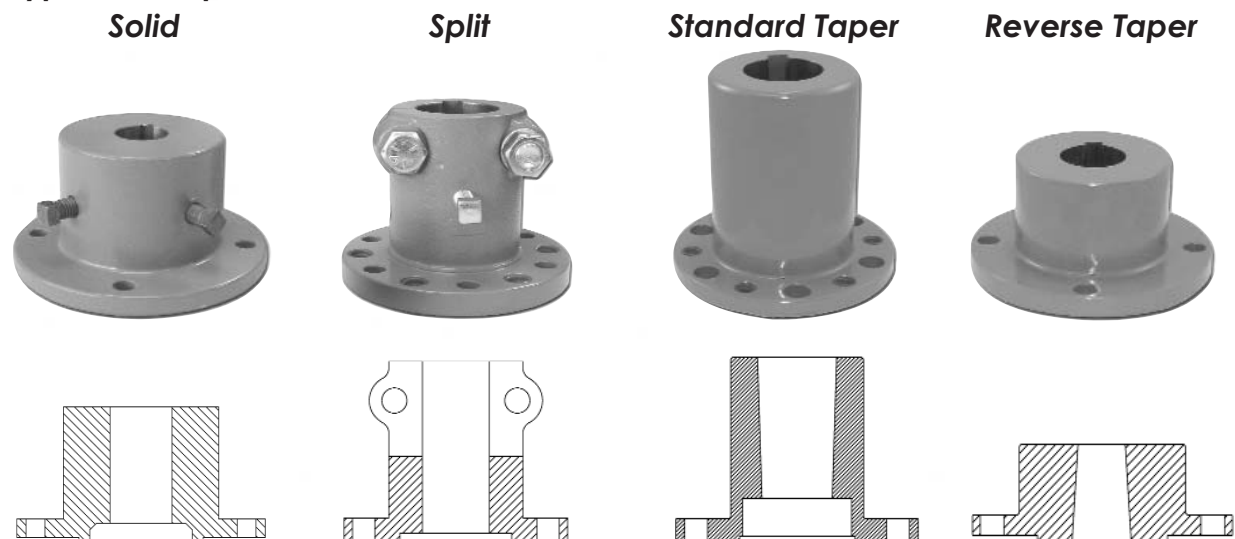
Buck Algonquin manufactures a full line of transmission couplers for most marine transmissions. Our couplers are cast from ductile iron and machined to SAE J755 specifications. Most of our couplers are machined with our universal bolthole pattern. As well, all of our couplers are supplied with mounting hardware. We also offer custom machining for any couplers we do not standardly produce. We carry an extensive inventory in order to better supply our distributors and OEMs.

The following charts can be used to help identify the coupler you need. The first chart is categorized by transmission manufacturer, while the second chart is categorized by flange diameter. Please feel free to contact our knowledgeable sales staff for assistance.

- A - Overall Length
- B - Male Pilot (M type)
- C - Female Pilot (F type)
- D - Flange Diameter
- E - Keyway Width
- F - Pilot Diameter
- G - Bolt Circle Diameter
- H - Shaft Diameter



Types of couplers offered:



Keyway Sizes

Shaft Diameter	Key Size
3/4"	3/16"
7/8" - 1-1/8"	1/4"
1-1/4" - 1-3/8"	5/16"
1-1/2"	3/8"
1-3/4"	7/16"
2"	1/2"
2-1/4"	9/16"
2-1/2" - 2-3/4"	5/8"
3" - 3-1/4"	3/4"
3-1/2" - 3-3/4"	7/8"
4"	1"

Part Number Conversion - The part numbers listed on the following pages are only a prefix. The complete part number will need a suffix number below. Example: Prefix 50mc005 + shaft size of 1-1/4"(125). The complete number would be 50mc005125.

Shaft Diameter	Part Number Suffix	Shaft Diameter	Part Number Suffix
3/4"	075	2-1/4"	225
7/8"	087	2-1/2"	250
1"	100	2-3/4"	275
1-1/8"	112	3"	300
1-1/4"	125	3-1/4"	325
1-3/8"	137	3-1/2"	350
1-1/2"	150	3-3/4"	375
1-3/4"	175	4"	400
2"	200		



Allison

Solid	Part Number Split	Taper	Flange Dia.	Shaft Range	# of Bolts	Bolt Size	Bolt Circle	Pilot	Overall Length
---	---	50tc575	5-3/4"	1-1/2"	6	1/2"	4-3/4"	3" x 1/4" F	5"
---	---	50tc575	5-3/4"	1-3/4" - 2-1/4"	6	1/2"	4-3/4"	3" x 1/4" F	6-1/2"
50mc573	---	---	5-3/4"	1-1/2" - 2"	6	1/2"	4-3/4"	3" x 1/4" F	4-1/2"
---	505751	---	5-3/4"	1-1/4" - 2-1/4"	6	1/2"	4-3/4"	3" x 1/4" F	4-3/16"
---	---	50tc725	7-1/4"	1-3/4" - 2-1/2"	6	5/8"	6"	3-3/4" x 1/4" F	7-3/4"
---	50725a	---	7-1/4"	1-1/4" - 1-3/4"	6	5/8"	6"	3-3/4" x 1/4" F	4-3/8"
---	50725b	---	7-1/4"	2" - 2-1/2"	6	5/8"	6"	3-3/4" x 1/4" F	5-1/2"
---	---	50tc900	9"	2" - 3"	8	3/4"	7-1/2"	6" x 1/4" F	7-3/4"
---	509001	---	9"	1-1/2" - 3"	8	3/4"	7-1/2"	6" x 1/4" F	5-1/2"

Atomic Four (Universal)

Solid	Part Number Split	Taper	Flange Dia.	Shaft Range	# of Bolts	Bolt Size	Bolt Circle	Pilot	Overall Length
50mc3500	---	---	3.410"	7/8" - 1-1/8"	3	3/8"	2-3/4"	1-7/8" x 1/4" F	2.437"

Borg Warner

Solid	Part Number Split	Taper	Flange Dia.	Shaft Range	# of Bolts	Bolt Size	Bolt Circle	Pilot	Overall Length
50mc004	---	---	4"	3/4" - 1-1/2"	4	3/8"	3-1/4"	2-1/2" x 3/32" M	2-1/4"
---	50401s	---	4"	3/4" - 1-1/4"	4	3/8"	3-1/4"	2-1/2" x 3/32" M	2"
---	50400b	---	4"	7/8" - 1-1/2"	4	3/8"	3-1/4"	2-1/2" x 3/32" M	3-7/16"
50mc005	---	---	5"	1" - 2"	4	7/16"	4-1/4"	2-1/2" x 3/32" M	2-5/8"
50mcf004	---	---	4"	3/4" - 1-1/2"	4	3/8"	3-1/4"	2-1/2" x 3/16" F	2-1/4"
50mcf005	---	---	5"	1" - 1-1/2"	4	7/16"	4-1/4"	2-1/2" x 1/4" F	2-5/8"
---	50500a	---	5"	1" - 1-1/2"	4	7/16"	4-1/4"	2-1/2" x 3/32" M	3-7/16"
---	50500c	---	5"	1-1/2" - 2"	4	7/16"	4-1/4"	2-1/2" x 3/32" M	4"
---	50500s	---	5"	1" - 1-1/2"	4	7/16"	4-1/4"	2-1/2" x 3/32" M	2-1/2"
---	---	50tc500	5"	1-1/4"	4	7/16"	4-1/4"	2-1/2" x 3/32" M	3-7/8"
---	---	50tc500	5"	1-3/8"	4	7/16"	4-1/4"	2-1/2" x 3/32" M	4-1/4"
---	---	50tc500	5"	1-1/2"-1-3/4"	4	7/16"	4-1/4"	2-1/2" x 3/32" M	5"
---	---	50tc005*	5"	1-1/4" - 1-3/4"	4	7/16"	4-1/4"	2-1/2" x 3/32" M	2-3/4"
---	---	50tc575	5-3/4"	1-1/2"	6	1/2"	4-3/4"	3" x 1/4" F	5"
---	---	50tc575	5-3/4"	1-3/4" - 2-1/4"	6	1/2"	4-3/4"	3" x 1/4" F	6-1/2"
50mc573	---	---	5-3/4"	1-1/2" - 2"	6	1/2"	4-3/4"	3" x 1/4" F	4-1/2"
---	505751	---	5-3/4"	1-1/4" - 2-1/4"	6	1/2"	4-3/4"	3" x 1/4" F	4-3/16"

* Reverse Taper Bore

F

SHAFTING & ACCESSORIES

Transmission Couplers



Capitol

Solid	Part Number Split	Taper	Flange Dia.	Shaft Range	# of Bolts	Bolt Size	Bolt Circle	Pilot	Overall Length
---	50475a	---	4-3/4"	1" - 1-1/2"	6	7/16"	3-7/8"	2-1/2" x 3/16" F	3-1/2"
---	50475b	---	4-3/4"	1-1/2" - 2"	6	7/16"	3-7/8"	2-1/2" x 3/16" F	4"
50mc4725	---	---	4-3/4"	1-1/4" - 1-1/2"	6	7/16"	3-7/8"	2-1/2" x 3/16" F	3-5/8"
---	---	50tc475	4-3/4"	1-3/8" - 1-3/4"	6	7/16"	3-7/8"	2-1/2" x 3/16" F	4-3/16"
---	---	50tc575	5-3/4"	1-1/2"	6	1/2"	4-3/4"	3" x 1/4" F	5"
---	---	50tc575	5-3/4"	1-3/4" - 2-1/4"	6	1/2"	4-3/4"	3" x 1/4" F	6-1/2"
50mc573	---	---	5-3/4"	1-1/2" - 2"	6	1/2"	4-3/4"	3" x 1/4" F	4-1/2"
---	505751	---	5-3/4"	1-1/4" - 2-1/4"	6	1/2"	4-3/4"	3" x 1/4" F	4-3/16"
---	---	50tc725	7-1/4"	1-3/4" - 2-1/2"	6	5/8"	6"	3-3/4" x 1/4" F	7-3/4"
---	50725a	---	7-1/4"	1-1/4" - 1-3/4"	6	5/8"	6"	3-3/4" x 1/4" F	4-3/8"
---	50725b	---	7-1/4"	2" - 2-1/2"	6	5/8"	6"	3-3/4" x 1/4" F	5-1/8"

Hurth

Solid	Part Number Split	Taper	Flange Dia.	Shaft Range	# of Bolts	Bolt Size	Bolt Circle	Pilot	Overall Length
50mc004	---	---	4"	3/4" - 1-1/2"	4	3/8"	3-1/4"	2-1/2" x 3/32" M	2-1/4"
---	50401s	---	4"	3/4" - 1-1/4"	4	3/8"	3-1/4"	2-1/2" x 3/32" M	2"
---	50400b	---	4"	7/8" - 1-1/2"	4	3/8"	3-1/4"	2-1/2" x 3/32" M	3-7/16"
50mc005	---	---	5"	1" - 2"	4	7/16"	4-1/4"	2-1/2" x 3/32" M	2-5/8"
---	50500a	---	5"	1" - 1-1/2"	4	7/16"	4-1/4"	2-1/2" x 3/32" M	3-7/16"
---	50500c	---	5"	1-1/2" - 2"	4	7/16"	4-1/4"	2-1/2" x 3/32" M	4"
---	---	50tc500	5"	1-1/4"	4	7/16"	4-1/4"	2-1/2" x 3/32" M	3-7/8"
---	---	50tc500	5"	1-3/8"	4	7/16"	4-1/4"	2-1/2" x 3/32" M	4-1/4"
---	---	50tc500	5"	1-1/2"-1-3/4"	4	7/16"	4-1/4"	2-1/2" x 3/32" M	5"

Newage

Solid	Part Number Split	Taper	Flange Dia.	Shaft Range	# of Bolts	Bolt Size	Bolt Circle	Pilot	Overall Length
50mc005	---	---	5"	1" - 2"	4	7/16"	4-1/4"	2-1/2" x 3/32" M	2-5/8"
---	50500a	---	5"	1" - 1-1/2"	4	7/16"	4-1/4"	2-1/2" x 3/32" M	3-7/16"
---	50500c	---	5"	1-1/2" - 2"	4	7/16"	4-1/4"	2-1/2" x 3/32" M	4"
---	---	50tc500	5"	1-1/4"	4	7/16"	4-1/4"	2-1/2" x 3/32" M	3-7/8"
---	---	50tc500	5"	1-3/8"	4	7/16"	4-1/4"	2-1/2" x 3/32" M	4-1/4"
---	---	50tc500	5"	1-1/2"-1-3/4"	4	7/16"	4-1/4"	2-1/2" x 3/32" M	5"
---	---	50tc575	5-3/4"	1-1/2"	6	1/2"	4-3/4"	3" x 1/4" F	5"
---	---	50tc575	5-3/4"	1-3/4" - 2-1/4"	6	1/2"	4-3/4"	3" x 1/4" F	6-1/2"
50mc573	---	---	5-3/4"	1-1/2" - 2"	6	1/2"	4-3/4"	3" x 1/4" F	4-1/2"
---	505751	---	5-3/4"	1-1/4" - 2-1/4"	6	1/2"	4-3/4"	3" x 1/4" F	4-3/16"
---	---	50tc725	7-1/4"	1-3/4" - 2-1/2"	6	5/8"	6"	3-3/4" x 1/4" F	7-3/4"
---	50725a	---	7-1/4"	1-1/4" - 1-3/4"	6	5/8"	6"	3-3/4" x 1/4" F	4-3/8"
---	50725b	---	7-1/4"	2" - 2-1/2"	6	5/8"	6"	3-3/4" x 1/4" F	5-1/8"



Paragon

Solid	Part Number Split	Taper	Flange Dia.	Shaft Range	# of Bolts	Bolt Size	Bolt Circle	Pilot	Overall Length
---	50400a	---	4"	1" - 1-1/2"	4	3/8"	3-1/4"	2" X 3/32" M	3-7/16"
---	50400s	---	4"	7/8" - 1-1/4"	4	3/8"	3-1/4"	2" X 3/32" M	2"
50mc4020	---	---	4"	3/4" - 1-3/8"	4	3/8"	3-1/4"	2" X 3/32" M	2-1/4"
---	50400c	---	4"	1" - 1-1/2"	4	3/8"	3-1/4"	2-5/8" X 3/32" M	3-7/16"
---	50402s	---	4"	1" - 1-1/4"	4	3/8"	3-1/4"	2-5/8" X 3/32" M	2"
50mc4026	---	---	4"	3/4" - 1-3/8"	4	3/8"	3-1/4"	2-5/8" X 3/32" M	2-1/4"
50mc4526	---	---	4-1/2"	1" - 1-3/4"	4	3/8"	3-3/4"	2-5/8" X 3/32" M	2-5/8"
---	50500b	---	5"	1" - 1-1/2"	4	3/8"	4-1/8"	2-3/4" X 3/32" M	3-7/16"
---	50500d	---	5"	1-1/2" - 2"	4	3/8"	4-1/8"	2-3/4" X 3/32" M	4"
---	50501s	---	5"	1" - 1-1/2"	4	3/8"	4-1/8"	2-3/4" X 3/32" M	2-1/2"
50mc5022	---	---	5"	1" - 1-3/4"	4	3/8"	4-1/8"	2-1/4" X 3/32" M	2-5/8"
50mc5027	---	---	5"	1" - 1-3/4"	4	3/8"	4-1/8"	2-3/4" X 3/32" M	2-5/8"

Twin Disc

Solid	Part Number Split	Taper	Flange Dia.	Shaft Range	# of Bolts	Bolt Size	Bolt Circle	Pilot	Overall Length
---	50475a	---	4-3/4"	1" - 1-1/2"	6	7/16"	3-7/8"	2-1/2" x 3/16" F	3-1/2"
---	50475b	---	4-3/4"	1-1/2" - 2"	6	7/16"	3-7/8"	2-1/2" x 3/16" F	4"
50mc4725	---	---	4-3/4"	1-1/4" - 1-1/2"	6	7/16"	3-7/8"	2-1/2" x 3/16" F	3-5/8"
---	---	50tc475	4-3/4"	1-3/8" - 1-3/4"	6	7/16"	3-7/8"	2-1/2" x 3/16" F	4-3/16"
--	50501a	---	5"	1" - 1-1/2"	8	3/8"	4-1/8"	2-1/2" x 3/32" M	3-7/16"
---	---	50tc501	5"	1-1/4" - 1-3/4"	8	3/8"	4-1/8"	2-1/2" x 3/32" M	5-3/32"
---	505752	---	5-3/4"	1-1/4" - 2-1/4"	6	5/8"	4-3/4"	3" x 1/4" F	4-3/16"
50mc574	---	---	5-3/4"	1-1/2" - 2"	6	5/8"	4-3/4"	3" x 1/4" F	4-1/2"
---	---	50tc576	5-3/4"	1-1/2"	6	5/8"	4-3/4"	3" x 1/4" F	5"
---	---	50tc576	5-3/4"	1-3/4" - 2-1/4"	6	5/8"	4-3/4"	3" x 1/4" F	6-1/2"
---	50726a	---	7-1/4"	1-1/4" - 1-3/4"	6	3/4"	6"	3-3/4" x 1/4" F	4-3/8"
---	50726b	---	7-1/4"	2" - 2-1/2"	6	3/4"	6"	3-3/4" x 1/4" F	5-1/8"
---	---	50tc726	7-1/4"	1-3/4" - 2-1/2"	6	3/4"	6"	3-3/4" x 1/4" F	7-3/4"
---	---	50tc901	9"	2" - 3"	8	7/8"	7-1/2"	6" x 1/4" F	7-3/4"
---	509002	---	9"	1-1/2" - 3"	8	7/8"	7-1/2"	6" x 1/4" F	5-1/2"
---	501050	---	10-1/2"	2-1/2" - 4"	8	1"	8-3/4"	5" x 1/4" F	6-1/2"
---	---	50tc1050	10-1/2"	2-1/2" - 4"	8	1"	8-3/4"	5" x 1/4" F	8"

Volvo Penta

Solid	Part Number Split	Taper	Flange Dia.	Shaft Range	# of Bolts	Bolt Size	Bolt Circle	Pilot	Overall Length
50mvp400	---	---	3.945"	3/4" - 1-1/4"	4	10mm	3.142"	2.366" x 3/32" F	2-17/32"

Transmission Couplers



Yanmar

Solid	Part Number Split	Taper	Flange Dia.	Shaft Range	# of Bolts	Bolt Size	Bolt Circle	Pilot	Overall Length
---	50400ys	---	4"	3/4" - 1-1/4"	4	10mm	3.070"	1.966" x 5/32" M	2"
50mcy004	---	---	4"	3/4" - 1-3/8"	4	10mm	3.070"	1.966" x 5/32" M	2-1/4"
---	50500ys	---	4-3/4"	1" - 1-1/2"	4	10mm	3.937"	2.556" x 1/8" M	3-7/16"
50mcy005	---	---	4-3/4"	1" - 1-3/4"	4	10mm	3.937"	2.556" x 1/8" M	2-3/8"
50mcy4lh	---	---	5.120"	1" - 1-1/2"	4	10mm	4-1/4"	2.499" x 3/16" M	3-29/32"

ZF

Solid	Split	Taper	Flange Dia.	Shaft Range	# of Bolts	Bolt Size	Bolt Circle	Pilot	Overall Length
---	50476a	---	4-3/4"	1" - 1-1/2"	6	12mm	3-7/8"	2-1/2" x 3/16" F	3-1/2"
---	50476b	---	4-3/4"	1-1/2" - 2"	6	12mm	3-7/8"	2-1/2" x 3/16" F	4"
50mc4726	---	---	4-3/4"	1-1/4" - 1-1/2"	6	12mm	3-7/8"	2-1/2" x 3/16" F	3-5/8"
---	---	50tc476	4-3/4"	1-3/8" - 1-3/4"	6	12mm	3-7/8"	2-1/2" x 3/16" F	4-3/16"
50mc574	---	---	5-3/4"	1-1/2" - 2"	6	16mm	4-3/4"	3" x 1/4" F	4-1/2"
---	505752	---	5-3/4"	1-1/4" - 2-1/4"	6	5/8"	4-3/4"	3" x 1/4" F	4-3/16"
---	---	50tc576	5-3/4"	1-1/2"	6	5/8"	4-3/4"	3" x 1/4" F	5"
---	---	50tc576	5-3/4"	1-3/4" - 2-1/4"	6	5/8"	4-3/4"	3" x 1/4" F	6-1/2"
---	50610b	---	6.10"	1-3/4" - 2-1/2"	10	5/8"	4.921"	3.94" x .215" F	5"
---	---	50tc610	6.10"	2" - 2-1/4"	10	5/8"	4.921"	3.94" x .215" F	6-1/2"
---	50669	---	6.69"	1-3/4" - 2-1/2"	12	16mm	5.512"	4.530" x 9/32" F	5"
---	---	50tc669	6.69"	2"	12	16mm	5.512"	4.530" x 9/32" F	6-1/2"
---	---	50tc669	6.69"	2-1/4" - 3"	12	16mm	5.512"	4.530" x 9/32" F	7-1/2"
---	---	50tc725g	7.283"	2" - 2-1/4"	12	18mm	6.122"	4.725" x 9/32" F	6-1/2"
---	---	50tc725g	7.283"	2-1/2" - 3"	12	18mm	6.122"	4.725" x 9/32" F	7-1/2"
---	50725bzf	---	7-1/4"	2" - 2-1/2"	8	16mm	6"	3-3/4" x 1/4" F	5-1/8"
---	---	50tc72zf	7-1/4"	1-3/4" - 2-1/2"	8	16mm	6"	3-3/4" x 1/4" F	7-3/4"
---	50787zf	---	7-7/8"	1-1/2" - 2-3/4"	8	16mm	6.693"	5.512" x 9/32" F	5-1/2"
---	50807zf	---	8.07"	1-1/2" - 2-3/4"	10	18mm	6.693"	5.512" x 9/32" F	5-1/2"
---	---	50tc807	8.07"	2" - 2-1/2"	10	18mm	6.693"	5.512" x 9/32" F	7-3/4"
---	50886	---	8.86"	2" - 2-1/2"	8	16mm	7.717"	5.514" x 1/4" F	5-1/2"
---	---	50tc886	8.86"	2" - 4"	8	16mm	7.717"	5.514" x 1/4" F	7-3/4"
---	501050	---	10-1/2"	2-1/2" - 4"	8	1"	8-3/4"	5" x 1/4" F	6-1/2"
---	---	50tc1050	10-1/2"	2-1/4" - 4"	8	1"	8-3/4"	5" x 1/4" F	8"

Miscellaneous

Solid	Part Number Split	Taper	Flange Dia.	Shaft Range	# of Bolts	Bolt Size	Bolt Circle	Pilot	Overall Length
---	50400d	---	4"	1-1/2"	8	3/8"	3-1/4"	2" x 3/16" F	3-3/8"



Transmission Guide

Flange Dia.	Transmission	Model Number	Pilot M/F	# of Bolts	Bolt Dia.	Bolt Circle	Part Number		
							Solid	Split	Taper
3.410"	Universal	Atomic 4	1.876"/F	3	3/8"	2-3/4"	50mc3500	---	---
3.945"	Volvo Penta	MB10A, MD38, MD7A, MD11C	2.362"/F	4	3/8"	3.149"	50mvp400	---	---
4"	Hurth	HBW5, 10, 20, 50, 100, 125, 125H, 150, 150A, 150V, 220, 250, HSW450D, 250H, 250A	2-1/2"/M	4	3/8"	3-1/4"	50mc004	50401s, 50400b	---
4"	Borg Warner	70C, 1017, 1023, 2301	2-1/2"/M	4	3/8"	3-1/4"	50mc004	50401s, 50400b	---
4"	Newage	PRM Delta	2-1/2"/M	4	3/8"	3-1/4"	50mc004	50401s, 50400b	---
4"	Paragon	HF, HB, RD	2"/M	4	3/8"	3-1/4"	50mc4020	50400s, 50400a	---
4"	Paragon	P-200, P-300, P-13, PV-300	2-5/8"/M	4	3/8"	3-1/4"	50mc4026	---	---
4"	ZF	ZF5M, 10M, 12M, 12, 15M, 15MA, 15MIV, 25M, 25MA, 30M, 45C, 25, 25A, 45IV	2-1/2"/M	4	3/8"	3-1/4"	50mc004	50401s, 50400b	---
4-1/2"	Paragon	RA, PV400	2-5/8"/M	4	3/8"	3-3/4"	50mc4526	---	---
4-3/4"	Capitol	5HD200	2-1/2"/F	6	7/16"	3-7/8"	50mc4725	50475a, 50475b	50tc475
4-3/4"	Twin Disc	MG-502, 502-1	2-1/2"/F	6	7/16"	3-7/8"	50mc4725	50475a, 50475b	50tc475
4-3/4"	Yanmar	30M30H/G, KVH20, KHIS	2.556/M	4	10mm	3.937"	50mcy005	50500ys	---
4-3/4"	ZF	ZF220A, IRM220A1, IRM220A/V, ZF220V, IRM220V2, IRM225A	2-1/2"/F	6	12mm	3-7/8"	50mc4726	50476a, 50476b	50tc476
5"	Borg Warner	72C-1017, 1018, 1004, 1005, 1013, 1014, 2001	2-1/2"/M	4	7/16"	4-1/4"	50mc005	50500a, 50500c	50tc500
5"	Hurth	HS25A, HS45A, HS63IV, HSW630A, 630H, 630V, 880D, 450A2, 630D, 630A1, 630H1, 630V1, 90ATS, 90TS, 90VTS, 110TS, HSW630, 630A, 400, 450, 600, 630	2-1/2"/M	4	7/16"	4-1/4"	50mc005	50500a, 50500c	50tc500
5"	Newage	PRM 210/160	2-1/2"/M	4	7/16"	4-1/4"	50mc005	50500a, 50500c	50tc500
5"	Paragon	P-400	2-3/4"/M	4	3/8"	4-1/8"	50mc5027	50500b, 50500d	---
5"	Twin Disc	5010A, 5011A	2-1/2"/M	8	7/16"	4-1/8"	---	50501a	---
5"	Volvo Penta	MS, MS3, MS4A, MV2	2-1/2"/M	4	7/16"	4-1/4"	50mc005	50500a, 50500c	50tc500
5"	ZF	ZF88C, 45A, 63A, 63C, 63IV, 90ATS, 90TS, 110TS, IRM41A2, 50A2, 50V2, 50V3, 501, 50A2/K3, 50V2/3LD	2-1/2"/M	4	7/16"	4-1/4"	50mc005	50500a, 50500c	50tc500
5.120"	Yanmar	4LH-TE/4LH-HTE	2-1/2"/M	4	12mm	4-1/4"	50mcy4Lh	---	---
5-3/4"	Allison	n/a	3"/F	6	1/2"	4-3/4"	50mc573	505751	50tc575
5-3/4"	Borg Warner	n/a	3"/F	6	1/2"	4-3/4"	50mc573	505751	50tc575
5-3/4"	Capitol	2H3/4HE-10200, 2HE/4H3-11200, M105, M125	3"/F	6	1/2"	4-3/4"	50mc573	505751	50tc575
5-3/4"	Hurth	HSW800A, 800V, 800VI, 110VTS	3"/F	6	1/2"	4-3/4"	50mc573	505751	50tc575
5-3/4"	Hurth	HSW800A2, 800A3, 110ATS	3"/F	6	5/8"	4-3/4"	50mc574	505752	50tc576

F

SHAFTING & ACCESSORIES

Transmission Couplers



Transmission Guide - Continued

Flange Dia.	Transmission	Model Number	Pilot M/F	# of Bolts	Bolt Dia.	Bolt Circle	Solid	Part Number Split	Taper
5-3/4"	Newage	PRM302, 310, 401, 402, 500D, 601, 601A	3"/F	6	1/2"	4-3/4"	50mc573	505751	50tc575
5-3/4"	Twin Disc	MG506, 5061A, 5062V, 507, 5050, 5050A, 5050V, 5061, 506-1, 506A, 507-2, 507-1, 507A-1, 507A-2	3"/F	6	5/8"	4-3/4"	50mc574	505752	50tc576
5-3/4"	ZF	IRM.301, 220V/LD, ZF80IV, 85IV, 110IVTS, 220IV	3"/F	6	1/2"	4-3/4"	50mc573	505751	50tc575
5-3/4"	ZF	IRM220PL, 280A, 280V-LD-1, 300VTS, 301A-1, 301A-2, 30, PL- 301PL-2, ZF80A, 85A, 110ATS, 220, 2801, 2801A, 280IV, 280A, 285A, 285IV, 286A, 286IV, 3001TS, 3001ATS, 300IVTS, 301A, 301C	3"/F	6	5/8"	4-3/4"	50mc574	505752	50tc576
6.10"	ZF	ZF3051, 305A, 3051A	3.94"/F	10	16mm	4.921"	---	50610b	50tc610
6.69"	ZF	ZF325ATS, 325IV, 325IVTS, 325TS, 3251, 3251A, IRM325A, 165PL	4.528"/F	12	16mm	5.512"	---	50669	50tc669
7-1/4"	Allison	M	3-3/4"/F	6	5/8"	6"	---	50725a, 50725b	50tc725
7-1/4"	Allison	M	3-3/4"/F	6	3/4"	6"	---	50726a, 50726b	50tc726
7-1/4"	Capitol	4HE10700, 11700, HY22000, 24000, HY2500, HY6900	3-3/4"/F	6	5/8"	6"	---	50725a, 50725b	50tc725
7-1/4"	Capitol	D5072	3-3/4"/F	6	3/4"	6"	---	50726a, 50726b	50tc726
7-1/4"	Newage	PRM60, 601, 601A	3-3/4"/F	6	5/8"	6"	---	50725a, 50725b	50tc725
7-1/4"	Twin Disc	MG506, 5065A, 507, 507-1, 507-2, 507A-1, 507A-2, 5075, 5075A, 5075IV, 5085, 509, 509-1SC, 508-1, 509-1, 5091V, 509-1SC, 5090A	3-3/4"/F	6	3/4"	6"	---	50726a, 50726b	50tc726
7-1/4"	ZF	IRM310AL, V250M	3-3/4"/F	6	16mm	6"	---	50725a, 50725b	50tc725
7-1/4"	ZF	IRM302VLD1, 302V/6, 304A, 310A, 310PL, 311A, 311A-1, 311PL, 312TS, V250M, ZF302IV, 304A, 304C, 311A, 312TS	3-3/4"/F	8	16mm	6"	---	50725bzf	50tc72zf
7.28"	ZF	BW190, 195, 195P, 2000A, 2060A, ZF2000, 2000A, ZF2000V, 2050, 2050A, 2050V, 2060, 2060A, 2060V, 2070, 2070V, 2150, 2150A, 2150V,	4.725"/F	12	18mm	6.122"	---	---	50tc725g
7.87"	ZF	IRM200, 320PL, V250M	5.511"/F	8	16mm	6.732"	---	50787zf	---
8.07"	ZF	BW155, 155A, 155ATS, 155TS, 155V, IRM311PL, 320, 320A, 350-A, 350A-2, 350AL/PL, 350ATS, 350PL-2, 350TS, 350V-LD-1, 350V, ZF311, ZF350, 350A, 350ATS, 350IV, 350TS, 350V, 500A, 500IV, 510A, 550, 550A, 550ATS, 550TS, 665, 665A, 665ATS, 665TS, 665V,	5.511"/F	10	18mm	6.692"	---	50807zf	50tc807
8.86"	ZF	IRM320, 320A, 320/LAV, 3202, ZF320, ZF550VTS	5.514"/F	8	16mm	7.717"	---	50886	50tc886
8.86"	ZF	BW250, 250V, 2500A, 255, 255A, 255AP, 255P, 255V, 255VP, ZF2500, 2500A, 2500V, 2550, 2550A, 2550V, 2555V, 2555, 2555A, 2555V,	5.514"/F	tbd	16mm	7.717"	---	----	50tc886
9"	Allison	M20	6"/F	8	3/4"	7-1/2"	---	509001	50tc900
9"	Allison	MH, 15R-L	6"/F	8	7/8"	7-1/2"	---	509002	50tc901
9"	Twin Disc	MG510A, 5111A, DD511, 510, 5111SC, 5114A, 5135A	6"/F	8	7/8"	7-1/2"	---	509002	50tc901
9"	ZF	IRM320AL	6"/F	8	7/8"	7-1/2"	---	509002	50tc901
10-1/2"	Twin Disc	MG509, 512, 513, 514, 514C	5"/F	8	1"	8-3/4"	---	501050	50tc1050
10-1/2"	ZF	IRM320LAV	5"/F	8	1"	8-3/4"	---	501050	50tc1050

7

SHAFTING & ACCESSORIES



Flange Puller - Coupler Removal Tool

Cast gray iron - Complete w/ 3/4" bolt - Sold each

Part Number	Flange Diameter	Weight, lbs.
50mcp00500	5"	2.75

Fits most 4" & 5" couplers with a 4 bolt pattern.

Coupler Flange Bolt Sets - Standard

Set includes bolts, nuts, & lock washers (Grade 5) - Sold in packs



Part Number	Bolt Size	Package Qty.	Part Number	Bolt Size	Package Qty.
boltset375	3/8"-24 x 1-1/2"	4	boltset625	5/8"-18 x 1-1/2"	6
boltset474	7/16"-20 x 1-1/4"	6	boltset626	5/8"-18 x 2"	6
boltset437	7/16"-20 x 1-1/2"	4	boltset627	5/8"-18 x 2"	8
boltset475	7/16"-20 x 1-1/2"	6	boltset750	3/4"-16 x 2-3/4"	8
boltset435	7/16"-20 x 2"	4	boltset875	7/8"-14 x 2-3/4"	8
boltset432	7/16"-20 x 2-3/4"	4	boltset100	1"-14 x 3"	8
boltset500	1/2"-20 x 2"	6			

Coupler Flange Bolt Sets - Metric

Set includes bolts, nuts, & lock washers (Grade 8.8) - Sold in packs

Part Number	Bolt Size	Package Qty.	Part Number	Bolt Size	Package Qty.
boltset10m	10mm x 40mm	4	boltset18m	18mm x 70mm	10
boltset12m	12mm x 40mm	6	boltset20m	20mm x 80mm	10
boltset16m	16mm x 50mm	6			

Split Coupler Pinch Bolt Sets

Set includes bolts, nuts, & lock washers (Grade 5) - Sold in pairs



Part Number	Bolt Size	Part Number	Bolt Size
pinch312	5/16"-24 x 1-3/4"	pinch625	5/8"-18 x 3"
pinch432	7/16"-20 x 2-1/2"	pinch750	3/4"-16 x 4-1/2"
pinch500	1/2"-20 x 3"	pinch751	3/4"-14 x 5-1/4"

Setscrews - Zinc plated steel (Grade 5) - Sold each



Part Number	Bolt Size	Part Number	Bolt Size
setscew370*	3/8"-16 x 1"	setscew431	7/16"-14 x 1-1/2"
setscew375*	3/8"-16 x 1-1/4"	setscew500	1/2"-13 x 1-1/4"
setscew371	3/8"-16 x 1-1/2"	setscew625	5/8"-11 x 1-1/2"
setscew437	7/16"-14 x 1"	setscew750	3/4"-10 x 1-3/4"

* Come with drilled heads. Setscrews are unavailable with drilled heads unless otherwise shown.

In order to ensure proper function of products, it is strongly recommended that each part is inspected and serviced monthly. Inspection should include, but not be limited to, visible damage, excessive wear, and proper bonding. It is also recommended that a naval engineer is consulted for proper application of hardware. Failure to properly maintain your product may result in catastrophic failure and/or loss of life.

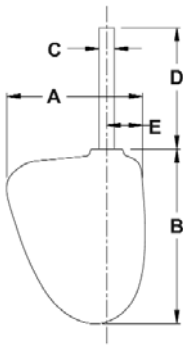
Steering Hardware

G

Rudders.....	82	Oval Flange Rudder Ports.....	91
Spade Rudders.....	83	Rectangular Flange Rudder Ports....	92-93
Special Rudders.....	84	Outside Mount Rudder Ports.....	94-95
Stepped Shaft Rudders.....	84	Rudder Port Backing Plates.....	96
High Speed Rudders.....	85	Tiller Arms.....	96-97
High Speed Rudders w/ Flange.....	85	Heavy Duty Tiller Arms.....	97
Skeg Rudders.....	86	Tiller Arm w/ Dual Arms.....	97
Skeg Bars.....	87	Offset Tiller Arms.....	98
Skeg Bearings.....	87	Square Head Tiller Arms.....	98
Rudder Collars.....	88	Split Head Tiller Arms.....	98
Rudder Bearing Flanges.....	88	Clevises.....	98-99
Dripless Rudder Port Spuds.....	89	Swivel Sockets.....	99
Square Flange Rudder Ports.....	89-90	Threaded Ball.....	99
Low Profile Rudder Ports.....	91	Tie Bars.....	99

Bronze Rudders

All rudders come with a stainless steel shaft* cast into the blade - Sold each



Part Number	Blade Width (A)	Blade Len. (B)	Shaft Dia. (C)	Shaft Len. (D)	Shaft Len. (E)	Weight, lbs.
10r1ss1.00	8-1/2"	11"	1"	12"	2-1/2"	11.00
10r1ss1.12	8-1/2"	11"	1-1/8"	12"	2-1/2"	11.00
10r2ss1.00	9-1/2"	12"	1"	12"	2-13/16"	15.00
10r2ss1.12	9-1/2"	12"	1-1/8"	12"	2-13/16"	15.00
10r2ss1.25	9-1/2"	12"	1-1/4"	12"	2-13/16"	15.00
10r3ss1.00	9-1/2"	13"	1"	13"	2-5/8"	15.00
10r3ss1.12	9-1/2"	13"	1-1/8"	13"	2-5/8"	15.00
10r3ss1.25	9-1/2"	13"	1-1/4"	13"	2-5/8"	15.00
10r3xss1.1	11"	14"	1-1/8"	16"	2-5/8"	20.00
10r3xss1.2	11"	14"	1-1/4"	16"	2-5/8"	20.00
10r4ss1.12	12"	14"	1-1/8"	18"	2-9/16"	21.00
10r4ss1.25	12"	14"	1-1/4"	18"	2-9/16"	21.00
10r5ss1.25	12"	16"	1-1/4"	18"	2-3/4"	26.00
10r6ss1.25	13"	18"	1-1/4"	20"	3-1/8"	34.00
10r6ss1.37	13"	18"	1-3/8"	20"	3-1/8"	34.00
10r6ss1.50	13"	18"	1-1/2"	20"	3-1/8"	34.00
10r7xss1.2	13-3/4"	20"	1-1/4"	17"	3-5/16"	40.00
10r7xss1.3	13-3/4"	20"	1-3/8"	17"	3-5/16"	40.00
10r8ss1.50	14-1/2"	22"	1-1/2"	24"	4-1/4"	60.00
10r8ss1.75	14-1/2"	22"	1-3/4"	24"	4-1/4"	70.00
10r8ss2.00	14-1/2"	22"	2"	24"	4-1/4"	71.00
10r9ss1.75	18"	24"	1-3/4"	36"	4-1/2"	102.00
10r9ss2.00	18"	24"	2"	36"	4-1/2"	104.00

*Rudder shafts do not come with keyways installed. Keyways can be machined upon request.

**The shafts shown are what Buck Algonquin keeps in stock. Other lengths are available upon request.

Custom Castings:

We also specialize in custom castings. If you can't find the rudder you are looking for please find the reference drawings in the back of this catalog, fill in the blanks, and send it back to us by email or fax. We will find a rudder that best fits your application or quote you on a custom casting.

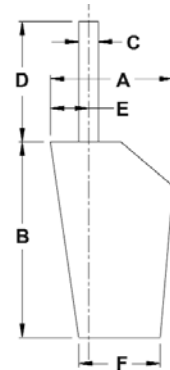
Bronze Spade Rudders

All rudders come with a stainless steel shaft* cast into the blade - Sold each

Part Number	Blade Top (A)	Blade Len. (B)	Shaft Dia. (C)	Shaft Len.** (D)	(E)	Blade Bottom (F)	Weight, lbs.
10r20ss1.2	10-5/16"	14"	1-1/4"	15-1/4"	2-3/8"	8-1/16"	20.00
10r20mss1	8-1/2"	11-1/2"	1-1/4"	12"	2-3/8"	6-1/2"	16.00
10r30ss1.2	10-5/16"	16"	1-1/4"	16-1/4"	2-3/8"	8-1/16"	24.00
10r30Lss1	10-1/4"	17-1/2"	1-1/4"	18-1/2"	2-3/8"	7-1/4"	28.00
10r30Lss13	10-1/4"	17-1/2"	1-3/8"	16"	2-3/8"	7-1/4"	28.00
10r31ss1.5	12-1/2"	22-7/8"	1-1/2"	19-3/8"	3-1/8"	7-7/8"	61.00
10r32ss1.2	10"	15-1/2"	1-1/4"	16"	2-1/8"	7-1/4"	24.00
10r32ss1.3	10"	15-1/2"	1-3/8"	16"	2-1/8"	7-1/4"	24.00
10r35ss1.2	9-1/2"	17"	1-1/4"	16"	2-1/2"	7"	22.00
10r38ss1.3	10"	21-3/4"	1-3/8"	17"	2-3/8"	7"	29.00
10r40ss1.2	13-1/2"	20-1/2"	1-1/4"	20-1/4"	3-1/2"	10-1/8"	40.00
10r40ss1.3	13-1/2"	20-1/2"	1-3/8"	20-1/4"	3-1/2"	10-1/8"	40.00
10r40ss1.5	13-1/2"	20-1/2"	1-1/2"	20-1/4"	3-1/2"	10-1/8"	40.00
10r40sss13	13-3/4"	17-1/2"	1-3/8"	16"	3-1/4"	10-5/8"	39.00
10r40sss15	13-3/4"	17-1/2"	1-1/2"	16"	3-1/4"	10-5/8"	39.00
10r50ss1.7	16"	27-1/16"	1-3/4"	21"	3-3/8"	11-1/2"	78.00
10r50ss2.0	16"	27-1/16"	2"	21"	3-3/8"	11-1/2"	78.00
10r51ss2.0	15-1/2"	28"	2"	16"	3-3/8"	13-1/8"	85.00
10r52ss2.0	15-7/8"	26"	2"	18"	4"	11-3/8"	110.00
10r56ss1.7	12-9/16"	25-1/4"	1-3/4"	21"	3"	9-3/16"	63.00
10r57ss1.7	13-1/4"	22-1/2"	1-3/4"	19-7/8"	3-1/2"	8-7/8"	58.00
10r58ss2.0	15-1/2"	32"	2"	21"	3-3/8"	13-1/8"	94.00
10r59ss1.5	12-1/4"	19"	1-1/2"	18"	3-3/16"	9"	32.00

*Rudder shafts do not come with keyways installed. Keyways can be machined upon request.

**The shafts shown are what Buck Algonquin keeps in stock. Other lengths are available upon request.



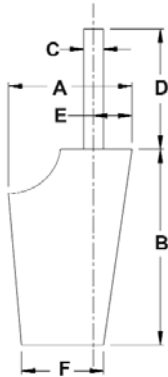
Custom Castings:

We also specialize in custom castings. If you can't find the rudder you are looking for please find the reference drawings in the back of this catalog, fill in the blanks, and send it back to us by email or fax. We will find a rudder that best fits your application or quote you on a custom casting.

G

Bronze Special Rudders

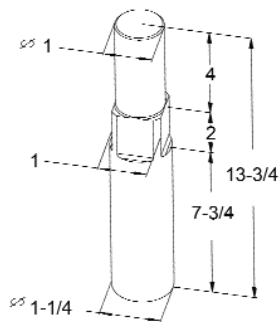
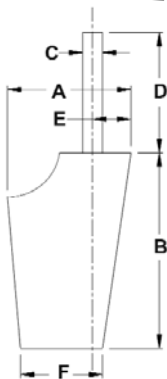
All rudders come with a stainless steel shaft* cast into the blade
Sold each



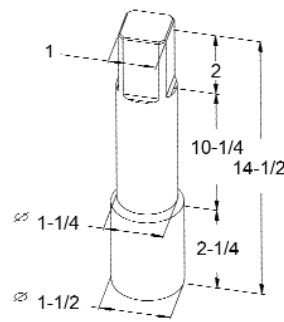
Part Number	Blade Top (A)	Blade Len. (B)	Shaft Dia. (C)	Shaft Len.** (D)	(E)	Blade Bottom (F)	Weight, lbs.
10r21mss1	10-3/8"	14"	1"	15"	2"	7-1/4"	12.00
10r22mss1	13-1/2"	15-1/2"	1-1/4"	17"	3"	8-7/8"	31.00
10r23mss1	10-1/2"	22"	1-3/4"	19"	3"	9-1/2"	50.00
10r25mss1	9-1/2"	17"	1-1/4"	16"	2-1/2"	6-7/8"	16.00
10r26mss1	8"	14-1/4"	1-1/4"	16-1/4"	2-5/16"	5-1/2"	14.00
10r30mss15	13-1/2"	20"	1-1/2"	17"	5-3/4"	17-17/32"	70.00
10r31ess1	12-1/2"	20-7/8"	1-1/2"	19-3/8"	3-3/8"	7-7/8"	72.00
10r33ess1	9-3/4"	17-1/2"	1-1/4"	18-1/2"	2"	7-1/4"	24.00

*Rudder shafts do not come with keyways installed. Keyways can be machined upon request.

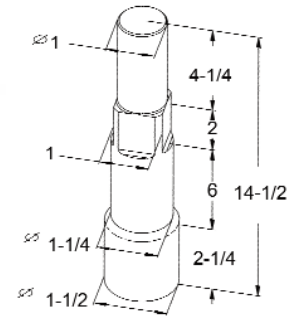
**The shafts shown are what Buck Algonquin keeps in stock. Other lengths are available upon request.



Shaft Diagram (1)
10r1731rud



Shaft Diagram (2)
10r17312rud



Shaft Diagram (3)
10r1735rud

Bronze Stepped Shaft Rudders

All rudders come with a stainless steel shaft cast into the blade
Sold each

Part Number	Blade Top (A)	Blade Len. (B)	Shaft Dia. (C)	Shaft Len. (D)	(E)	Blade Bottom (F)	Weight, lbs.
10r1731rud	6-1/2"	14-7/8"	Dia. 1	13-3/4"	1-1/8"	5-11/16"	18.00
10r17312rd	8-1/4"	14-7/8"	Dia. 2	14-1/2"	1-1/2"	7"	25.00
10r1735rud	10-7/8"	17-7/8"	Dia. 3	14-1/2"	1-3/4"	8-13/16"	35.00

Custom Castings: We also specialize in custom castings. If you can't find the rudder you are looking for please find the reference drawings in the back of this catalog, fill in the blanks, and send it back to us by email or fax. We will find a rudder that best fits your application or quote you on a custom casting.

Bronze High Speed Rudders

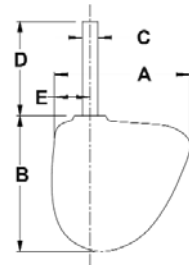
All rudders come with a stainless steel shaft* cast into the blade

Sold each

Part Number	Blade Width (A)	Blade Len. (B)	Shaft Dia. (C)	Shaft Len.** (D)	(E)	Weight, lbs.
10r1hsss1	11"	13"	1"	9-1/2"	2-1/2"	14.00
10r2hsss1	11-1/2"	16"	1-1/4"	18"	2-3/4"	26.00
10r3hsss1	8-3/4"	13"	1"	12-3/4"	1-3/4"	14.00
10r4hsss1	10"	13-1/2"	1-1/4"	14"	2-1/2"	15.00
10r6hsss1	10"	13-1/2"	1-1/8"	15"	2-1/2"	16.00
10r7hsss2	16"	24"	2"	21"	3-1/4"	55.00

*Rudder shafts do not come with keyways installed. Keyways can be machined upon request.

**The shafts shown are what Buck Algonquin keeps in stock. Other lengths are available upon request.



Bronze High Speed Rudders - Flanged Type

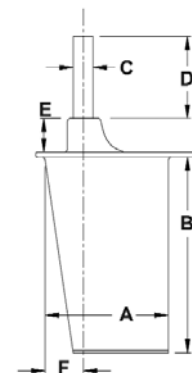
All rudders come with a stainless steel shaft* cast into the blade

Sold each

Part Number	Blade Width (A)	Blade Len. (B)	Shaft Dia. (C)	Shaft Len.** (D)	Above Flange (E)	(F)	Weight, lbs.
10r3hsfss1	9-1/4"	11-1/2"	1"	18"	1"	2"	16.00
10r4hsfss1	6"	12"	1"	15"	7"	2"	11.00
10r5hsfss1	9-1/2"	15"	1-3/8"	21-1/4"	2-1/2"	3-1/4"	28.00
10r6hsfss1	9-1/2"	15"	1-1/4"	20"	1-1/2"	3-1/4"	28.00
10r31hsfss	11"	16"	1-1/2"	20"	4-1/2"	3-1/2"	40.00
10r32hsfss	14-5/8"	18-3/4"	1-1/2"	13-1/4"	4-1/2"	3"	30.00
10r33hsfss	10-5/8"	16-3/4"	1-1/4"	13-3/4"	2-1/4"	2-5/8"	25.00
10r34hsfss	13"	20-3/4"	1-1/2"	18-1/2"	4-1/2"	4-7/16"	36.00

*Rudder shafts do not come with keyways installed. Keyways can be machined upon request.

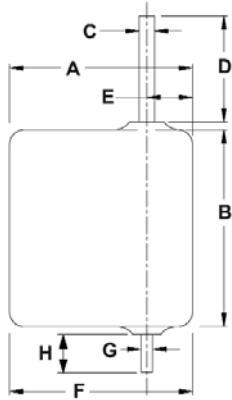
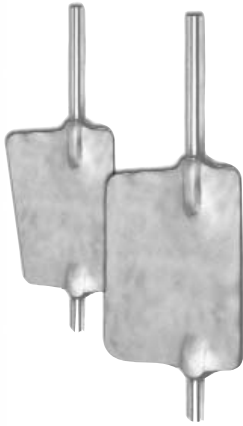
**The shafts shown are what Buck Algonquin keeps in stock. Other lengths are available upon request.



Custom Castings: We also specialize in custom castings. If you can't find the rudder you are looking for please find the reference drawings in the back of this catalog, fill in the blanks, and send it back to us by email or fax. We will find a rudder that best fits your application or quote you on a custom casting.

Bronze Skeg Rudders

All skeg rudders come with a stainless steel shaft* & pintle cast into the blade - Sold each



Part Number	Blade Top (A)	Blade Len. (B)	Shaft Dia. (C)	Shaft Len.** (D)	(E)	Blade Bottom (F)	Pintle Dia. (G)	Pintle Len. (H)	Weight, lbs.
10rs1ss1.0	9-1/2"	11-1/2"	1"	11-1/2"	2-7/8"	9-1/2"	7/8"	3-1/2"	16.00
10rs2ss1.0	11-1/2"	14-1/2"	1"	12"	2"	9-1/2"	7/8"	3-1/4"	18.00
10rs5br1.1	12"	14"	1-1/8"	18"	3-1/8"	12"	7/8"	2"	29.00
10rs8ss1.0	14"	14"	1"	12"	3"	14"	7/8"	4"	24.00
10rs8ss1.1	14"	14"	1-1/8"	12"	3"	14"	7/8"	4"	24.00
10rs9ss1.0	15"	15"	1"	12"	3"	15"	7/8"	3-3/4"	28.00
10rs12ss1	18"	18"	1"	12"	3"	18"	1"	3-3/4"	35.00
10rs13ss1	18"	20"	1-1/4"	18"	3"	18"	1"	4"	37.00
10rs17ss1	22"	22"	1-1/4"	18"	3"	22"	1"	3-5/8"	74.00
10rs19ss1	24"	22"	1-1/4"	18"	3"	24"	1"	4"	79.00
10rs19ss15	24"	22"	1-1/2"	18"	3"	24"	1"	4"	79.00
10rs20ss1	24"	24"	1-1/4"	18"	3"	24"	1"	4"	83.00
10rs20ss15	24"	24"	1-1/2"	18"	3"	24"	1"	3-3/4"	83.00

Custom Castings:

We also specialize in custom castings. If you can't find the rudder you are looking for please find the reference drawings in the back of this catalog, fill in the blanks, and send it back to us by email or fax. We will find a rudder that best fits your application or quote you on a custom casting.

*Rudder shafts do not come with keyways installed. Keyways can be machined upon request.

**The shafts shown are what Buck Algonquin keeps in stock. Other lengths are available upon request.

Bronze Skeg Bars - Sold each

Part Number	Overall Length	Weight, lbs.
10skb1	26-3/16"	6.25
10skb2	26-1/8"	10.50



Pintle holes can be machined upon request.

Bronze Skeg Bars - Sold each

Part Number	Skeg Bar Thickness	Skeg Bar Width	Skeg Bar Length	Weight, lbs.
10skb3a	1/2"	2"	24"	10.00
10skb3b	1/2"	2"	30"	12.00
10skb3c	1/2"	2"	36"	13.00
10skb3d	1/2"	2"	42"	14.00
10skb3e	1/2"	2-1/2"	42"	18.00
10skb3f	1/2"	2-1/2"	48"	20.00
10skb3g	1/2"	3"	36"	18.00
10skb3h	1/2"	3"	42"	20.00
10skb3i	1/2"	3"	48"	23.00
10skb3j	5/8"	4"	48"	45.00
10skb3k	5/8"	4"	60"	60.00



Pintle holes can be machined upon request.

Bronze Skeg Bearings - Sold each

Part Number	Bore Diameter	Bore Depth	Hub Diameter	Overall Height	Flange Width	Flange Length	Flange Thickness	Weight, lbs.
83100	1"	1"	2-3/16"	1-3/8"	2-7/8"	3-7/8"	5/16"	2.50
83112	1-1/8"	1"	2-3/16"	1-3/8"	2-7/8"	3-7/8"	5/16"	2.50
83125	1-1/4"	1"	2-3/16"	1-3/8"	2-7/8"	3-7/8"	5/16"	2.50
83138	1-3/8"	1"	2-3/16"	1-3/8"	2-7/8"	3-7/8"	5/16"	2.50
83150	1-1/2"	1-1/2"	2-3/8"	2-1/16"	3-5/8"	5"	7/16"	3.80
83175	1-3/4"	1-3/4"	2-3/8"	2-1/16"	3-5/8"	5"	7/16"	5.75
83200	2"	1-3/4"	2-3/8"	2-1/16"	3-5/8"	5"	7/16"	5.70
83225	2-1/4"	2-1/2"	3"	2-15/16"	6"	6"	7/16"	11.20
83250	2-1/2"	2-1/2"	3"	2-15/16"	6"	6"	7/16"	11.15



Bronze Reverse Skeg Bearings - Sold each

Part Number	Bore Diameter	Bore Depth	Hub Diameter	Overall Height	Flange Width	Flange Length	Flange Thickness	Weight, lbs.
83100r	1"	1"	2-3/16"	1-3/8"	2-7/8"	3-7/8"	5/16"	2.50
83112r	1-1/8"	1"	2-3/16"	1-3/8"	2-7/8"	3-7/8"	5/16"	2.50
83125r	1-1/4"	1"	2-3/16"	1-3/8"	2-7/8"	3-7/8"	5/16"	2.50
83138r	1-3/8"	1"	2-3/16"	1-3/8"	2-7/8"	3-7/8"	5/16"	2.50
83150r	1-1/2"	1-1/2"	2-3/8"	2-1/16"	3-5/8"	5"	7/16"	3.80
83175r	1-3/4"	1-3/4"	2-3/8"	2-1/16"	3-5/8"	5"	7/16"	5.75
83200r	2"	1-3/4"	2-3/8"	2-1/16"	3-5/8"	5"	7/16"	5.70
83225r	2-1/4"	2-1/2"	3"	2-15/16"	6"	6"	7/16"	11.20
83250r	2-1/2"	2-1/2"	3"	2-15/16"	6"	6"	7/16"	11.15



G

STEERING HARDWARE

Bronze Rudder Collars

Each collar comes complete w/ a setscrew - Sold each



Part Number	Shaft Size	Outside Diameter	Overall Height	Weight, lbs.
00rc100	1"	1-3/4"	1"	.45
00rc113	1-1/8"	1-3/4"	1"	.75
00rc125	1-1/4"	2"	1"	.65
00rc138	1-3/8"	2-1/4"	1"	1.20
00rc150	1-1/2"	2-5/16"	1-3/16"	1.15
00rc175	1-3/4"	2-11/16"	1-11/16"	1.15
00rc200	2"	2-15/16"	1-5/8"	2.90
00rc225	2-1/4"	3-3/8"	1-5/8"	3.00
00rc250	2-1/2"	3-3/8"	1-5/8"	2.80
00rc275	2-3/4"	4-1/2"	2"	6.00
00rc300	3"	4-1/2"	2"	5.50

Bronze Rudder Bearing Flanges - Round Flange - Sold each



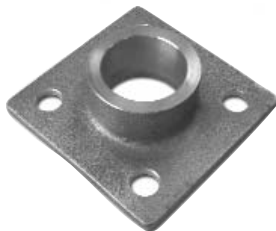
Part Number	Shaft Size	Outside Diameter	Overall Height	Bolt Circle	Screw Size	Weight, lbs.
00rbf100	1"	3-3/16"	1-7/16"	2-9/16"	#10	.90
00rbf113	1-1/8"	3-3/16"	1-7/16"	2-9/16"	#10	.80
00rbf125	1-1/4"	3-3/16"	1-7/16"	2-9/16"	#10	.70
00rbf138	1-3/8"	3-3/16"	1-7/16"	2-9/16"	#10	.75

Bronze Rudder Bearing Flanges - Oval Flange - Sold each



Part Number	Shaft Size	Flange Size W x L	Overall Height	Bolthole C to C	Bolt Size	Weight, lbs.
00rbof125	1-1/4"	2-1/16" x 5-3/8"	1-5/16"	4-5/16"	3/8"	.90
00rbof138	1-3/8"	2-1/16" x 5-3/8"	1-5/16"	4-5/16"	3/8"	.85
00rbof150	1-1/2"	2-9/16" x 5-9/16"	1-13/16"	4-13/32"	3/8"	1.50

Bronze Rudder Bearing Flanges - Square Flange - Sold each



Part Number	Shaft Size	Flange Size, Sq.	Overall Height	Bolthole C to C	Bolt Size	Weight, lbs.
00rbf150	1-1/2"	3-3/4"	1-3/8"	2-7/8"	1/2"	1.05
00rbf175	1-3/4"	3-3/4"	1-3/8"	2-7/8"	1/2"	1.90
00rbf200	2"	3-3/4"	1-3/8"	2-7/8"	1/2"	1.65
00rbf225	2-1/4"	4-5/8"	1-1/4"	3-1/4"	1/2"	2.60
00rbf250	2-1/2"	4-5/8"	1-1/4"	3-1/4"	1/2"	2.80
00rbf275	2-3/4"	5-3/4"	1-5/16"	4-1/4"	1/2"	6.50
00rbf300	3"	5-3/4"	1-5/16"	4-1/4"	1/2"	6.20

Dripless Rudder Port Spuds - Fits Standard Rudder Ports

Made of cast bronze & comes complete w/ retaining ring, lip seal, and o-ring - Sold complete

Part Number	Shaft Size	Outside Diameter	Hex Size	Overall Length
00pb125Ls	1-1/4"	2-1/2"	2-3/16"	1-7/8"
00pb150Ls	1-1/2"	2-7/8"	2-3/16"	2-1/8"
00pb175Ls	1-3/4"	3-1/2"	3-1/4"	2-1/2"
00pb200Ls	2"	3-5/8"	3-1/8"	2-7/16"



Bronze Rudder Ports - Inside Mount - Square Flange

Complete w/ packing nut and lock nut - Sold complete

Part Number	Shaft Size	Packing Size	Length Under Flange	Flange Size, Sq.	Bolthole C to C	Bolt Size	Weight, lbs.
00rp100	1"	1/4"	4"	3-7/8"	2-3/4"	3/8"	3.15
00rp100L	1"	1/4"	2-1/8"	3-1/2"	2-3/8"	3/8"	2.45
00rp113	1-1/8"	3/16"	4"	3-7/8"	2-3/4"	3/8"	3.00
00rp125	1-1/4"	1/4"	4"	4-1/4"	3-1/16"	3/8"	5.00
00rp125L	1-1/4"	1/4"	3"	4-1/4"	3-1/16"	3/8"	4.00
00rp12506	1-1/4"	1/4"	6"	4-1/4"	3-1/16"	3/8"	6.00
00rp150s	1-1/2"	1/4"	5"	4-1/2"	3-3/8"	1/2"	12.00
00rp225L*	2-1/4"	3/8"	3-1/2"	6"	n/a	n/a	11.00

* Comes without baseholes machined.



Replacement Parts for Inside Mount Rudder Ports

Lock Nuts - Sold each

Part Number	Use With Part Numbers
00100pbn	00rp100, 00rp100L & 00rp113
00125pbn	00rp125, 00rp125L & 00rp12506
00138pbn	00rp150s
00rpn225	00rp225L

Packing Spuds - Sold each

Part Number	Use With Part Numbers
00100pbs	00rp100 & 00rp100L
00113pbs	00rp113
00125pbs	00rp125, 00rp125L, & 00rp12506
00150pbs	00rp150s
00rps225	00rp225L

Backing Plates for Inside Mount Rudder Ports - Sold each

Part Number	Use With Part Numbers	Weight, lbs.
00rpbp100	00rp100 & 00rp113	.65
00rpbp100a	00rp100L	.65
00rpbp125	00rp125, 00rp125L & 00rp12506	1.15
00rpbp150s	00rp150s	.65





TOURNAMENT MARINE PRODUCTS **Bronze Rudder Ports - Inside Mount - Square Flange**
Complete w/ packing nut and lock nut - Sold complete

Part Number	Shaft Size	Packing Size	Length Under Flange	Flange Size, Sq.	Bolthole C to C	Bolt Size	Weight, lbs.
2902	1-1/4"	1/4"	3-1/2"	4"	2-7/8"	3/8"	4.40
2903	1-3/8"	5/16"	3-1/2"	4"	2-7/8"	3/8"	4.20
2904	1-1/2"	1/4"	3-1/2"	4"	2-7/8"	3/8"	4.20

Replacement Parts for Tournament Rudder Ports

Lock Nuts - Sold each

Part Number	Use With Part Numbers
00125pbn	2902
00138pbn	2903 & 2904

Packing Spuds - Sold each

Part Number	Use With Part Numbers
00125pbs	2902
00138pbs	2903
00150pbs	2904

Backing Plate for Tournament Rudder Ports - Sold each



Part Number	Use With Part Numbers	Weight, lbs.
2902bp	2902, 2903, & 2904	.85



TOURNAMENT MARINE PRODUCTS **Bronze Rudder Ports - Inside Mount - Rectangular Flange**
Complete w/ packing nut and lock nut - Sold complete

Part Number	Shaft Size	Packing Size	Length Under Flange	Flange Size W x L	Bolthole C to C	Bolt Size	Weight, lbs.
290520m	1-1/4"	3/4"	5"	4-1/8" x 7-1/8"	2-1/2" x 5-1/2"	1/2"	18.00
290522m	1-3/8"	5/8"	5"	4-1/8" x 7-1/8"	2-1/2" x 5-1/2"	1/2"	17.50
290524m	1-1/2"	9/16"	5"	4-1/8" x 7-1/8"	2-1/2" x 5-1/2"	1/2"	17.00

Replacement Parts for Inside Mount Rudder Ports

Lock Nuts - Sold each

Part Number	Use With Part Numbers
00175pbn	290520m, 290522m, & 290524m

Packing Spuds - Sold each

Part Number	Use With Part Numbers
00175pbs20	290520m
00175pbs22	290522m
00175pbs24	290524m

Backing Plates for Inside Mount Rudder Ports - Sold each

Part Number	Use With Part Numbers	Weight, lbs.
00rpbp175	290520m, 290522m, & 290524m	2.00



TOURNAMENT MARINE PRODUCTS **Bronze Rudder Ports**
Inside Mount - Oval Flange - Low Profile - Gland Style

Complete w/ packing gland and two nuts on each stud - Sold complete

Part Number	Shaft Size	Packing Size	Length Under Flange	Flange Width	Flange Length	Barrel Diameter	Weight, lbs.
88100	1"	5/16"	1-1/2"	3"	5-3/4"	2-1/8"	5.00
88112	1-1/8"	1/4"	1-1/2"	3"	5-3/4"	2-1/8"	4.90
88125	1-1/4"	3/16"	1-1/2"	3"	5-3/4"	2-1/8"	4.80


TOURNAMENT MARINE PRODUCTS **Bronze Rudder Ports**
Inside Mount - Square Flange - Low Profile - Gland Style

Complete w/ packing gland and two nuts on each stud - Sold complete

Part Number	Shaft Size	Packing Size	Length Under Flange	Flange Size, Sq.	Barrel Diameter	Weight, lbs.
88138	1-3/8"	5/16"	1-5/8"	4-3/4"	2-5/8"	8.70
88150	1-1/2"	1/4"	1-5/8"	5-5/8"	2-5/8"	8.60
88175	1-3/4"	1/2"	1-5/8"	5-5/8"	3-3/4"	15.80
88200	2"	3/8"	1-5/8"	5-5/8"	3-3/4"	15.70


Bronze Rudder Ports - Inside Mount - Oval Flange

Complete w/ packing nut and lock nut - Sold complete

Part Number	Shaft Size	Packing Size	Length Under Flange	Flange Size W x L	Bolthole C to C	Bolt Size	Weight, lbs.
00rpo100	1"	1/4"	3"	2-5/8" x 4-5/16"	3"	3/8"	3.00
00rpo113	1-1/8"	3/16"	3"	2-5/8" x 4-5/16"	3"	3/8"	2.85
00rpo125	1-1/4"	1/4"	4-1/4"	3" x 5-7/8"	4-1/4"	1/2"	5.00
00rpo138	1-3/8"	3/16"	4-1/4"	3" x 5-7/8"	4-1/4"	1/2"	5.00
00rpo150	1-1/2"	1/4"	3-3/4"	3-1/2" x 6-5/8"	5-1/8"	1/2"	6.00


Replacement Parts for Oval Flange Inside Mount Rudder Ports
Lock Nuts - Sold each

Part Number	Use With Part Numbers
00100pbn	00rpo100 & 00rpo113
00125pbn	00rpo125, 00rpo138, 00rpo150

Packing Spuds - Sold each

Part Number	Use With Part Numbers
00100pbs	00rpo100
00113pbs	00rpo113
00125pbs	00rpo125
00125pbs38	00rpo138
00150pbs	00rpo150

G
STEERING HARDWARE



Bronze Rudder Ports - Inside Mount - Rectangular Flange

Complete w/ packing nut and lock nut - Sold complete

Part Number	Shaft Size	Packing Size	Length Under Flange	Flange Size W x L	Bolthole C to C	Bolt Size	Weight, lbs.
00rp138	1-3/8"	5/16"	5"	3-3/4" x 7"	2-1/4" x 5-1/4"	1/2"	9.15
00rp150	1-1/2"	1/4"	5"	3-3/4" x 7"	2-1/4" x 5-1/4"	1/2"	8.70
00rp175	1-3/4"	7/16"	5"	4-1/8" x 7-1/8"	2-1/2" x 5-1/2"	1/2"	13.30
00rp200	2"	3/8"	5"	4-1/8" x 7-1/8"	2-1/2" x 5-1/2"	1/2"	13.00
00rp225*	2-1/4"	3/8"	7"	6" x 10"	n/a	n/a	25.00
00rp250*	2-1/2"	3/8"	8-1/2"	6" x 12"	n/a	n/a	43.00
00rp275	2-3/4"	9/16"	5"	6-1/4" x 10-3/4"	4-1/4" x 8-3/4"	1/2"	40.00
00rp300	3"	11/16"	5"	6-1/4" x 10-3/4"	4-1/4" x 8-3/4"	1/2"	38.00

* Comes without baseholes machined.

Replacement Parts for Inside Mount Rudder Ports

Lock Nuts - Sold each

Part Number	Use With Part Numbers
00138pbn	00rp138 & 00rp150
00175pbn	00rp175 & 00rp200
00rpn225	00rp225
00225pbn	00rp250
00300pbn	00rp275 & 00rp300

Packing Spuds - Sold each

Part Number	Use With Part Numbers
00138pbs	00rp138
00150pbs	00rp150
00175pbs	00rp175
00200pbs	00rp200
00rps225	00rp225
00250pbs	00rp250
00275pbs	00rp275
00300pbs	00rp300

Backing Plates for Inside Mount Rudder Ports - Sold each



Part Number	Use With Part Numbers	Weight, lbs.
00rbp150	00rp138 & 00rp150	1.80
00rbp175	00rp175 & 00rp200	2.00
00rbp225	00rp225, 00rp275, & 00rp300	6.00
00rbp250	00rp250	7.00

TOURNAMENT MARINE PRODUCTS **Bronze Rudder Ports - Inside Mount - Rectangular Flange**

Complete w/ packing nut and lock nut - Sold complete

Part Number	Shaft Size	Packing Size	Length Under Flange	Flange Width	Flange Length	Barrel Diameter	Weight, lbs.
82125	1-1/4"	1/4"	3"	4-1/4"	4-1/4"	1-5/8"	10.00
82138	1-3/8"	9/16"	1-1/4"	4-1/2"	6-1/8"	2-1/8"	14.25
82150	1-1/2"	7/16"	1-1/4"	4-1/2"	6-1/8"	2-1/8"	14.20
82175	1-3/4"	1/2"	1-5/8"	4-1/2"	6-5/8"	2-1/2"	22.50
82200	2"	3/8"	1-5/8"	4-1/2"	6-5/8"	2-5/8"	22.45
82225	2-1/4"	9/16"	1-3/4"	4-1/2"	6-5/8"	3-1/4"	22.40
82250	2-1/2"	5/16"	1-3/4"	4-7/8"	9"	3-1/4"	32.00


Replacement Parts for Inside Mount Rudder Ports
Lock Nuts - Sold each

Part Number	Use With Part Numbers
00125pbn	82125
82138n	82138 & 82150
00175pbn	82175 & 82200
82225n	82225
00225pbn	82250

Packing Spuds - Sold each

Part Number	Use With Part Numbers
86125s	82125
82138s	82138
82150s	82150
82175s	82175
82200s	82200
82225s	82225
82250s	82250

TOURNAMENT MARINE PRODUCTS **Bronze Rudder Ports - Inside Mount - Rectangular Flange**

Complete w/ packing nut and lock nut - Sold complete

Part Number	Shaft Size	Packing Size	Length Under Flange	Flange Width	Flange Length	Barrel Diameter	Weight, lbs.
86125	1-1/4"	1/4"	3"	4"	4"	1-3/4"	7.00
86138	1-3/8"	9/16"	3"	4"	7-1/8"	2-1/4"	16.50
86150	1-1/2"	7/16"	3"	4"	7-1/8"	2-1/4"	16.20
86200	2"	3/8"	4-3/8"	4-1/2"	8-1/4"	3"	24.00
86225	2-1/4"	9/16"	4-3/8"	4-1/2"	8-1/4"	3-1/4"	23.90


Replacement Parts for Inside Mount Rudder Ports
Lock Nuts - Sold each

Part Number	Use With Part Numbers
00125pbn	86125
82138n	86138 & 86150
00175pbn	86200
82225n	86225

Packing Spuds - Sold each

Part Number	Use With Part Numbers
86125s	86125
82138s	86138
82150s	86150
82200s	86200
82225s	86225



Bronze Rudder Ports - Outside Mount - Rectangular Flange

Complete w/ packing nut and lock nut - Sold complete

Part Number	Shaft Size	Packing Size	Length Above Flange	Flange Size W x L	Bolthole C to C	Bolt Size	Weight, lbs.
10rp100acc	1"	1/4"	4-1/8"	3-1/4" x 4"	2-1/4" x 3"	3/8"	3.65
10rp125acc	1-1/4"	1/4"	4-3/8"	3-1/4" x 4"	2-1/4" x 3"	3/8"	4.00

Replacement Parts for Outside Mount Rudder Ports

Lock Nuts - Sold each

Part Number	Use With Part Numbers
00100pbn	10rp100acc
00125pbn	10rp125acc

Packing Spuds - Sold each

Part Number	Use With Part Numbers
00100pbs	10rp100acc
00125pbs	10rp125acc

Backing Plates for Outside Mount Rudder Ports - Sold each



Part Number	Use With Part Numbers	Weight, lbs.
00rbpb12cc	10rp100acc & 10rp125acc	1.25

Bronze Rudder Ports - Outside Mount - Square Flange - Angled

Complete w/ packing nut and lock nut - Sold complete



Part Number	Shaft Size	Packing Size	Length Above Flange	Flange Size, Sq.	Flange Angle, Deg.	Bolthole C to C	Bolt Size	Weight, lbs.
00rp125b	1-1/4"	1/4"	6"	4-1/2"	85	3-1/16"	3/8"	6.00
00rp125b12	1-1/4"	1/4"	6-1/8"	4-1/8"	12	2-7/8"	1/2"	6.25
00rp125b17	1-1/4"	1/4"	4-5/16"	5-1/8"	17	3-1/4"	7/16"	11.00
00rp125b18	1-1/4"	1/4"	4-5/8"	4-1/4"	18-1/2	3-1/8"	3/8"	6.20
00rp125b19	1-1/4"	1/4"	2-1/4"	4"	19	3"	3/8"	3.50
00rp125b23	1-1/4"	1/4"	4-1/2"	4-1/4"	23	3-1/16"	3/8"	6.00
00rp138b	1-3/8"	3/16"	6"	4-1/2"	85	3-1/16"	3/8"	6.00
00rp150a12	1-1/2"	1/4"	7"	4-1/8"	12	2-7/8"	1/2"	6.90

Replacement Parts for Outside Mount Rudder Ports

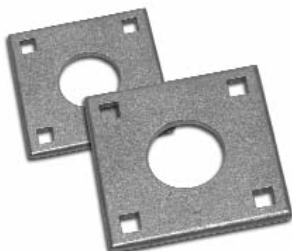
Lock Nuts - Sold each

Part Number	Use With Part Numbers
00125pbn	00rp125b, 00rp125b12, 00rp125b17, 00rp125b18, 00rp125b19 & 00rp125b23 & 00rp138b
00138pbn	00rp150a12

Packing Spuds - Sold each

Part Number	Use With Part Numbers
00125pbs	00rp125b, 00rp125b12, 00rp125b17, 00rp125b18, 00rp125b19 & 00rp125b23
00125pbs38	00rp138b
00150pbs	00rp150a12

Backing Plates for Outside Mount Rudder Ports - Sold each



Part Number	Use With Part Numbers	Weight, lbs.
00rbpb125	00rp125b, 00rp125b23, 00rp138b	1.15
2902bp	00rp125b12, 00rp125b18	.85
320028bp	00rp125b17	1.15
00rbpb1b19	00rp125b19	1.20
00rbpb150s	00rp150a12	.65

Bronze Rudder Ports - Outside Mount - Square Flange

Complete w/ packing nut and lock nut - Sold complete

Part Number	Shaft Size	Packing Size	Length Above Flange	Flange Size, Sq.	Bolthole C to C	Bolt Size	Weight, lbs.
00rp100a	1"	1/4"	3-3/4"	3-1/2"	2-3/8"	3/8"	4.00
00rp113a	1-1/8"	3/16"	3-3/4"	3-1/2"	2-3/8"	3/8"	4.00
00rp125a	1-1/4"	1/4"	6"	4-1/2"	3-1/16"	3/8"	6.00
00rp138a	1-3/8"	3/16"	6"	4-1/2"	3-1/16"	3/8"	6.00
00rp150a	1-1/2"	1/4"	5"	5-1/8"	3-1/4"	3/8"	14.30
00rp175a	1-3/4"	5/16"	5"	5-1/8"	3-1/4"	3/8"	15.00
00rp200a	2"	3/8"	5"	5-1/8"	3-1/4"	1/2"	18.00
00rp225a	2-1/4"	7/16"	6-7/16"	6"	4-1/2"	1/2"	22.50
00rp250a	2-1/2"	5/16"	6-7/16"	6"	4-1/2"	1/2"	21.00
00rp275a	2-3/4"	11/16"	6-1/2"	6-3/4"	4-3/4"	1/2"	32.00
00rp300a	3"	9/16"	6-1/2"	6-3/4"	4-3/4"	1/2"	30.00



Replacement Parts for Outside Mount Rudder Ports

Lock Nuts - Sold each

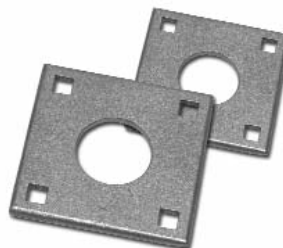
Part Number	Use With Part Numbers
00100pbn	00rp100a & 00rp113a
00125pbn	00rp125a & 00rp138a
00138pbn	00rp150a
00175pbnoy	00rp175a
00175pbn	00rp200a
00225pbn	00rb225a & 00rb250a
00300pbn	00rb275a & 00rp300a

Packing Spuds - Sold each

Part Number	Use With Part Numbers
00100pbs	00rp100a
00113pbs	00rp113a
00125pbs	00rp125a
00125pbs38	00rp138a
00150pbs	00rp150a
00175pbsoy	00rp175a
00200pbs	00rp200a
00225pbs	00rp225a
00250pbs	00rp250a
00275pbs	00rp275a
00300pbs	00rp300a

Backing Plates for Outside Mount Rudder Ports - Sold each

Part Number	Use With Part Numbers	Weight, lbs.
00rbp100a	00rp100a	.40
00rbp113a	00rp113a	.90
00rbp125a	00rp125a & 00rp138a	1.15
00rbp150a	00rp150a	1.75
00rbp175200a	00rp175a & 00rp200a	1.75
00rbp250a	00rp250a	6.00
00rbp275a	00rp250a	6.00
00rbp300a	00rp250a	6.00

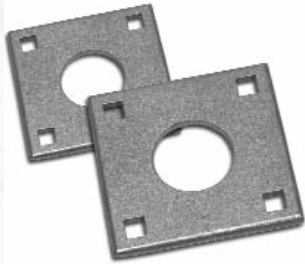


G

STEERING HARDWARE

Bronze Rudder Port Backing Plate

Square Flange - Sold each



Part Number	Plate Dimensions	Weight, lbs.
00rpbp100a	3-1/4" x 3-1/4"	.40
00rpbp100	3-3/4" x 3-3/4"	.65
2902bp	4" x 4"	.85
00rpbp125	4-3/8" x 4-3/8"	1.15
00rpbp150s	4-1/2" x 4-1/2"	.65
00rpbp150a	5" x 5"	1.75
00rpbp175200a	5" x 5"	1.75
00rpbp250a	6" x 6"	6.00

Bronze Rudder Port Backing Plate

Rectangular Flange - Sold each



Part Number	Plate Dimensions	Weight, lbs.
00rpbp150	3-3/4" x 6-3/4"	1.80
00rpbp175	4-1/8" x 7-1/4"	2.00
00rpbp225	6" x 10"	6.00
00rpbp250	6" x 12-1/8"	7.00

TOURNAMENT Bronze Tiller Arms

Complete w/ pinch bolt, nut, and a setscrew - Sold each



Part Number	Shaft Size	Overall Length	Max C to C	Keyway Size	Weight, lbs.
81100	1"	11"	8-5/8"	1/4"	5.00
81125	1-1/4"	11"	8-5/8"	1/4"	5.00
81138	1-3/8"	11-3/4"	9-1/2"	1/4"	7.30
81150	1-1/2"	11-3/4"	9-1/2"	3/8"	7.20
81175	1-3/4"	20"	8-9/16"	3/8"	7.10
81200	2"	20"	8-9/16"	3/8"	7.00

Bronze Tiller Arms

Complete w/ pinch bolt, nut, and a setscrew - Sold each

Part Number	Shaft Size	Overall Length	Max C to C	Keyway Size	Weight, lbs.
10fa10x700	1"	9-1/4"	7"	1/4"	1.45
10fa11x700	1-1/8"	9-1/4"	7"	1/4"	1.40
10fa12x700	1-1/4"	9-1/4"	7"	1/4"	2.60
mackayta125x700	1-1/4"	9-1/4"	7"	5/16"	2.60
10fa12x900	1-1/4"	11-1/2"	9"	1/4"	2.80
10fa13x700	1-3/8"	9-1/4"	7"	1/4"	2.60
mackayta138x700	1-3/8"	9-1/4"	7"	5/16"	2.60
10fa13x900	1-3/8"	11-1/2"	9"	1/4"	2.80
10fa15x100	1-1/2"	15-3/4"	12"	3/8"	5.00
10fa17x100	1-3/4"	15-3/4"	12"	3/8"	5.00
mackayta175x100	1-3/4"	15-3/4"	12"	7/16"	5.00
10fa20x100	2"	15-3/4"	12"	3/8"	5.50
mackayta200x100	2"	15-3/4"	12"	1/2"	5.50
10fa22x170	2-1/4"	17"	13"	1/2"	7.00
mackayta225x170	2-1/4"	17"	13"	9/16"	7.00
10fa25x170	2-1/2"	17"	13"	1/2"	7.00
mackayta250x170	2-1/2"	17"	13"	5/8"	7.00



Bronze Heavy Duty Tiller Arms

Complete w/ two pinch bolts, nuts, and a setscrew - Sold each

Part Number	Shaft Size	Overall Length	Max C to C	Keyway Size	Weight, lbs.
10fa20x14h	2"	20-3/4"	13"	3/8"	17.00
10fa22x14h	2-1/4"	20-3/4"	16"	1/2"	17.80
10fa25x14h	2-1/2"	20-3/4"	16"	5/8"	17.10
10fa27x16hd	2-3/4"	21-1/8"	16"	5/8"	24.00
10fa30x16hd	3"	21-1/8"	16"	3/4"	23.50



Bronze Tiller Arm - w/ Dual Arms

Complete w/ two pinch bolts, nuts, and a setscrew - Sold each

Part Number	Shaft Size	Overall Length	Max C to C	Keyway Size	Weight, lbs.
10fa30x12h	3"	24"	10-3/4"	3/4"	24.00



G

STEERING HARDWARE

TOURNAMENT Bronze Offset Tiller Arms
MARINE PRODUCTS

Complete w/ pinch bolt, nut, and a setscrew - Sold each



Part Number	Shaft Size	Overall Length	Offset	Max C to C	Keyway Size	Weight, lbs.
89100	1"	11-1/2"	3-1/2"	8-3/4"	1/4"	6.35
89112	1-1/8"	11-1/2"	3-1/2"	8-3/4"	1/4"	6.30
89125	1-1/4"	11-1/2"	3-1/2"	8-3/4"	1/4"	6.25
89138	1-3/8"	11-1/2"	3-1/2"	8-3/4"	1/4"	6.20
89150	1-1/2"	11-1/2"	3-1/2"	8-3/4"	3/8"	6.15
89175	1-3/4"	11-1/2"	3-1/2"	8-3/4"	3/8"	6.10

G

Bronze Tiller Arms - Machined for a Square Shaft

Complete w/ pinch bolt & nut - Sold each

Part Number	Shaft Size, Sq.	Overall Length	Max C to C	Weight, lbs.
10ta12x71s*	1"	10-1/2"	6" & 8"	2.20
10ta12x91s	1-1/4"	13-1/4"	9-1/4"	7.00
10ta16x91s	1-5/8"	14-3/4"	11-1/4"	8.00

**This tiller arm includes two stainless steel balls at 6" & 8" centers. It is available without balls upon request.*

Bronze Tiller Arms - Split Head

Complete w/ two pinch bolts & nuts - Sold each

Part Number	Shaft Size	Overall Length	Max C to C	Keyway Size	Weight, lbs.
10ta12x130	1-1/4"	15-1/2"	13"	1/4"	6.40
10ta13x130	1-3/8"	15-1/2"	13"	1/4"	6.20
10ta15x130	1-1/2"	15-1/2"	13"	3/8"	6.00
10ta17x130	1-3/4"	15-1/2"	13"	3/8"	10.00
10ta20x130	2"	15-1/2"	13"	3/8"	10.00

Bronze Clevises

Complete w/ stainless steel clevis & cotter pin - Sold each



Part Number	Thread Size	Overall Length	Pin Hole Diameter	Between Jaw Size	Weight, lbs.
00cL50lt	1/2"-14 NPT	3-3/8"	1/2"	9/16"	.55
00cL50	1/2"-14 NPT	3-1/2"	1/2"	3/4"	.70
00cL75	3/4"-14 NPT	4-1/4"	1/2"	1/2"	1.15
00cL75e	3/4"-14 NPT	4-1/4"	1/2"	5/8"	1.15
00cL100	1"-11-1/2 NPT	4-1/4"	1/2"	7/8"	1.80
00cL100hd	1"-11-1/2 NPSM	6"	3/4"	7/8"	3.00

Bronze Clevis - Eye type

Complete w/ stainless steel clevis & cotter pin - Sold each

Part Number	Thread Size	Overall Length	Pin Hole Diameter	Between Jaw Size	Weight, lbs.
00cL75weye	3/4"-14 NPSM	4-3/4"	1/2"	11/16"	1.20



Bronze Clevis

Complete w/ stainless steel clevis & cotter pin - Sold each

Part Number	Thread Size	Overall Length	Pin Hole Diameter	Between Jaw Size	Weight, lbs.
00cL75lt	3/4"-14 NPSM	4-3/4"	1/2"	11/16"	1.10



304 Stainless Steel Clevis Pins - Sold each

Part Number	Pin Diameter	Pin Length	Weight, lbs.
70cLpin150	1/2"	1-1/2"	.10
70cLpin175	1/2"	1-3/4"	.10
70cLpin200	1/2"	2"	.15
70cLpin225	1/2"	2-1/4"	.15
70cL100hdp	3/4"	2"	.15



Bronze Swivel Sockets

Complete w/ cotter pin & setscrew - Sold each

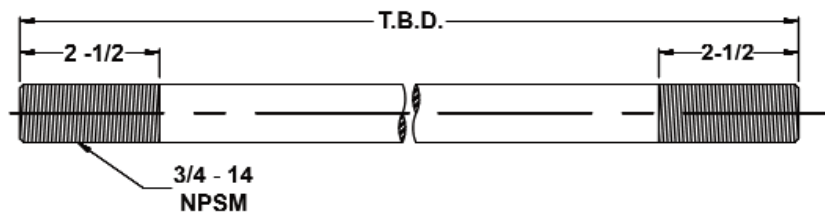
Part Number	Thread Size	Overall Length	Ball Opening	Weight, lbs.
00sws50	1/2"-14 NPSM	5"	1"	1.10
00sws75	3/4"-14 NPSM	5"	1"	1.10



304 Stainless Steel Threaded Ball

Complete w/ two nuts - Sold each

Part Number	Ball Diameter	Overall Length	Thread Size	Weight, lbs.
70thdball	1"	3-1/8"	1/2" x 2"	1.20



304 Stainless Steel Tie Bars - Machined to the requested length and threaded on both ends. Available in either 1/2" or 3/4" - Sold by the foot

Part Number	Max Overall Length	Thread Size, NPSM	Thread Length
tiebar3ft	3'	1/2" - 14 OR 3/4" - 14	2-1/2"
tiebar4ft	4'	1/2" - 14 OR 3/4" - 14	2-1/2"
tiebar5ft	5'	1/2" - 14 OR 3/4" - 14	2-1/2"
tiebar6ft	6'	1/2" - 14 OR 3/4" - 14	2-1/2"



Strainers

H

Basket Strainers.....102-103	Navy Pump Strainers.....108
Raw Water Strainers.....104	Scoop Strainers.....108
Low Profile Intake Strainers.....105	Round Strainers.....109
Rectangular Scoop Strainers...106-107	Intake Strainers.....109
Positive Flow Scoop Strainers106-107	Skimmers.....109
Slotted Scoop Strainers.....107	

In order to ensure proper function of products, it is strongly recommended that each part is inspected and serviced monthly. Inspection should include, but not be limited to; visible damage,excessive wear,and proper bonding. Service should include, but not be limited to; cleaning and removal of debris that may impede proper function. To avoid potential damage, all strainers should be properly winterized. Failure to properly maintain your product may result in catastrophic failure and/or loss of life.

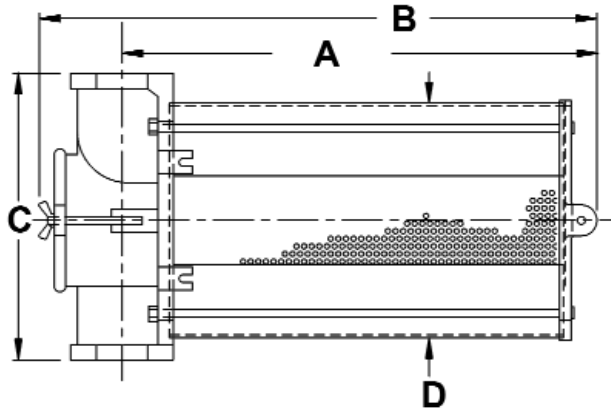
Bronze Basket Strainers

Complete w/ stainless steel & polycarbonate cylinder for easy viewing - Sold each



Bronze Part Number	Thread Size, N.P.T.	C to E (A)	Overall Len. (B)	Overall Width (C)	Dia. of Cylinder (D)	Weight, lbs.
00isb50	1/2"	7-1/2"	9-5/8"	4-3/8"	3-1/2"	4.60
00isb75	3/4"	7-1/2"	9-5/8"	4-3/8"	3-1/2"	4.60
00isb100	1"	8"	10-1/4"	5-3/8"	4-1/4"	7.30
00isb125	1-1/4"	8"	10-1/2"	5-1/2"	4-1/2"	7.30
00isb150	1-1/2"	10-1/2"	12-3/4"	7-1/4"	5-1/2"	13.20
00isb200	2"	14-3/4"	18"	7-1/2"	5-3/4"	17.60
00isb250	2-1/2"	14-3/4"	18"	7-1/2"	5-3/4"	17.60

Failure to properly winterize may cause damage to strainer.



304 Stainless Steel Replacement Baskets - ISB Series - Sold each



Part Number	Use With Part Numbers	Overall Height (includes Handle)	Diameter of Basket	Height of Basket
70isbwsb50	00isb50	7-3/4"	1-11/16"	6-1/4"
70isbwsb75	00isb75	7-3/4"	1-11/16"	6-1/4"
70isbwsb100	00isb100	8"	2-7/16"	5-7/8"
70isbwsb125	00isb125	8-5/16"	2-7/16"	6-3/16"
70isbwsb150	00isb150	11"	3-3/16"	8-5/16"
70isbwsb200	00isb200	15-3/4"	3-3/16"	12-3/8"
70isbwsb250	00isb250	15-3/4"	3-3/16"	12-3/8"

Replacement Parts for Basket Strainers

Cover Casting - Sold each

Part Number	Use With Part Numbers
00isbwsc050	00isb50
00isbwsc075	00isb75
00isbwsc100	00isb100
00isbwsc125	00isb125
00isbwsc150	00isb150
00isbwsc200	00isb200
00isbwsc250	00isb250

Bottom Casting - Sold each

Part Number	Use With Part Numbers
00isbwsbc50	00isb50
00isbwsbc75	00isb75
00isbwsbc100	00isb100
00isbwsbc125	00isb125
00isbwsbc150	00isb150
00isbwsbc200	00isb200
00isbwsbc250	00isb250

Cylinder Bolt - Complete w/ wing nut & washer - Sold each

Part Number	Use With Part Numbers
00isbwscbol150	00isb50
00isbwscbol175	00isb75
00isbwscbol1100	00isb100
00isbwscbol1125	00isb125
00isbwscbol1150	00isb150
00isbwscbol1200	00isb200
00isbwscbol1250	00isb250

Cylinder Gasket - Sold each

Part Number	Use With Part Numbers
c0isbwscgc50	00isb50
c0isbwscgc75	00isb75
c0isbwscgc100	00isb100
c0isbwscgc125	00isb125
c0isbwscgc150	00isb150
c0isbwscgc200	00isb200
c0isbwscgc250	00isb250

Top Casting - Sold each

Part Number	Use With Part Numbers
00isbwstc50	00isb50
00isbwstc75	00isb75
00isbwstc100	00isb100
00isbwstc125	00isb125
00isbwstc150	00isb150
00isbwstc200	00isb200
00isbwstc250	00isb250

Cylinder - Sold each

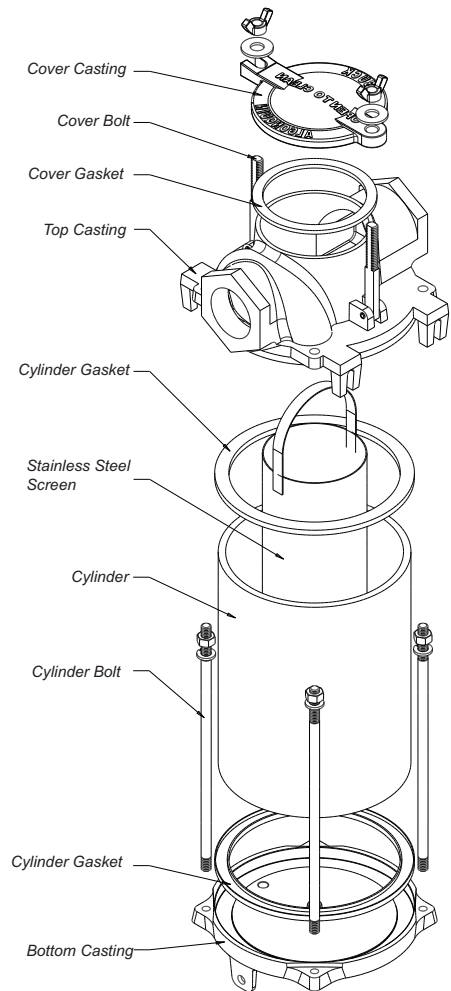
Part Number	Use With Part Numbers
d0isbwsc50	00isb50
d0isbwsc75	00isb75
d0isbwsc100	00isb100
d0isbwsc125	00isb125
d0isbwsc150	00isb150
d0isbwsc200	00isb200
d0isbwsc250	00isb250

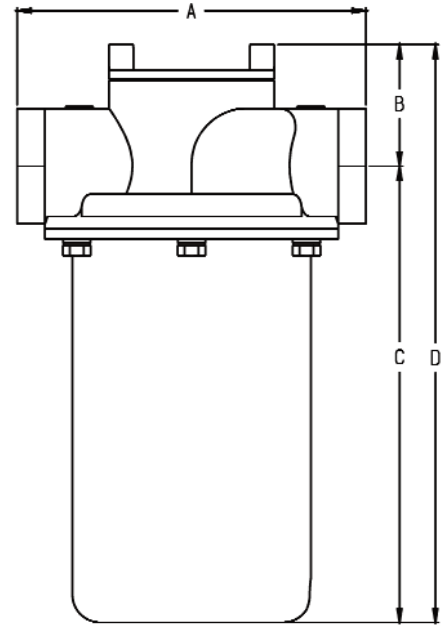
Cover Bolt - Complete w/ wing nut & washer - Sold each

Part Number	Use With Part Numbers
00isbwscb50	00isb50
00isbwscb75	00isb75
00isbwscb100	00isb100
00isbwscb125	00isb125
00isbwscb150	00isb150
00isbwscb200	00isb200
00isbwscb250	00isb250

Cover Gasket - Sold each

Part Number	Use With Part Numbers
c0isbwscg50	00isb50
c0isbwscg75	00isb75
c0isbwscg100	00isb100
c0isbwscg125	00isb125
c0isbwscg150	00isb150
c0isbwscg200	00isb200
c0isbwscg250	00isb250





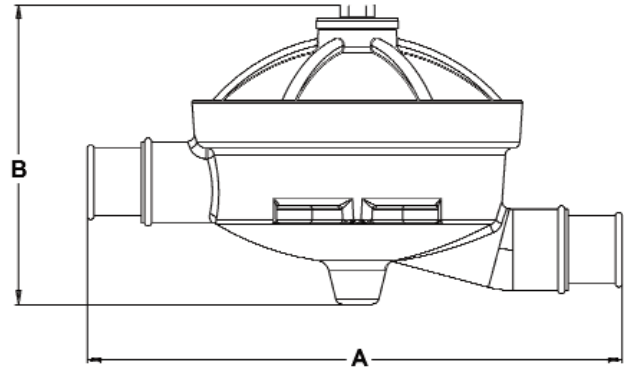
Raw Water Strainers

Complete w/ stainless steel basket & polycarbonatc cylinder for easy viewing - Sold each

- 316 Stainless Steel or 85-5-5-5 Red Brass
- Polycarbonatc Globe
- Drain Plug
- Mounting Bracket

Bronze Part Number	Stainless Steel Part Number	Thread Size, N.P.T.	Overall Width (A)	Center to Top (B)	Center to Bottom (C)	Overall Height (D)	Weight, lbs.
00rws75	70rws75	3/4"	5-1/2"	2"	5-1/2"	7-1/2"	5.50
00rws100	70rws100	1"	5-1/2"	2"	5-1/2"	7-1/2"	5.30
00rws125	70rws125	1-1/4"	6-1/2"	2-1/4"	8-1/4"	10-1/2"	6.70
00rws150	70rws150	1-1/2"	6-1/2"	2-1/4"	8-1/4"	10-1/2"	6.50
00rws200	70rws200	2"	8"	2-5/8"	13-7/8"	11-1/4"	12.20
00rws250	70rws250	2-1/2"	8"	2-5/8"	13-7/8"	11-1/4"	12.00

Failure to properly winterize may cause damage to strainer.



Bronze Intake Water Strainers - Low Profile - Sold each

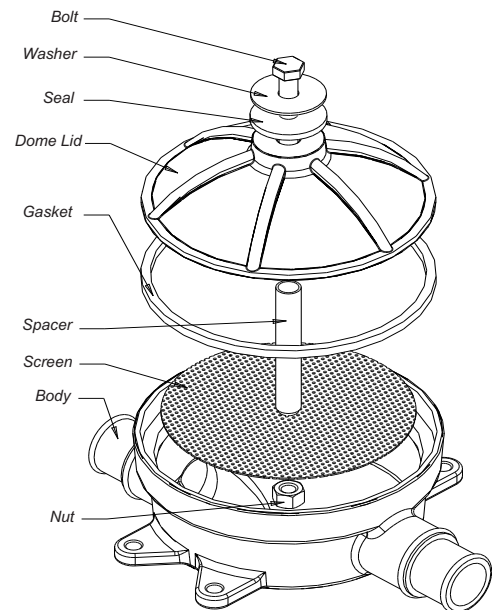
Part Number	Overall Length (A)	Overall Height (B)	Hose Size	Tapped N.P.T.	Outside Diameter	Weight, lbs.
00iws1215dome	10-1/8"	5-7/16"	1-1/4" & 1-1/2"	3/4"	6-1/8"	6.55
00iws150dome	8-1/8"	5-7/16"	1-1/2"	1"	6-1/8"	6.40
00iws200dome	10-1/4"	6-7/8"	2"	N/A	6-1/8"	8.45

Failure to properly winterize may cause damage to strainer.

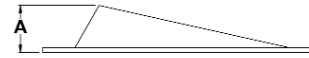
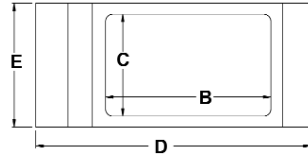
Kit Replacement Parts for Low Profile Intake Water Strainers

IWS Part Kit - Part kit includes a dome lid, lid gasket, spacer, o-ring, washer, center bolt & nut - Sold complete

Part Number	Use With Part Numbers
d0iws1215kit	00iws1215dome & 00iws150dome
d0iws200kit	00iws200dome



STRAINERS

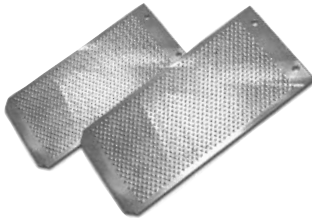


Rectangular Scoop Strainers - Slide Out Screens

Complete w/ brass or stainless steel perforated screens - Sold each

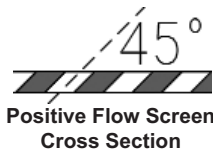
Part Number Bronze Screen	Part Number Stainless Screen	Max Thru Hull	A	B	C	D	E	Weight, lbs.
2349	2349sp	1-1/4"	1-1/16"	3-3/8"	2-1/8"	6-5/8"	3-3/4"	1.40
00rss655p	00rss655sp	2"	1-3/4"	5"	3-1/16"	10-5/16"	4-5/8"	3.05
00rss1100p	00rss110sp	3"	2-1/8"	9"	4-3/16"	12-3/4"	5-7/8"	4.55
2352	2352sp	4"	2-3/16"	9-7/16"	5-3/8"	13-15/16"	7-1/16"	6.40
2353	n/a	6"	3-11/16"	15-1/2"	8-1/16"	21-1/2"	10-13/32"	21.05

Replacement Screens for Rectangular Scoop Strainers - Slide Out Screens - Sold each



Part Number Brass Screen	Part Number Stainless Screen	Overall Width	Overall Length	Weight, lbs.
2349s	2349sps	2-7/16"	4-3/8"	.30
00rss655ps	70rss65sps	3-1/2"	7-3/16"	.50
00rss110ps	70rss11sps	4-3/4"	10-1/4"	.95
2352s	2352sps	6"	11-5/16"	1.25
2353s	n/a	8-11/16"	16-3/4"	2.80

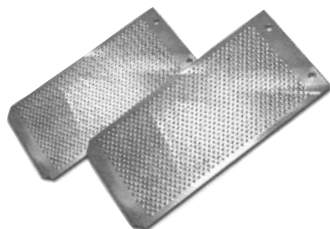
Positive Flow* Rectangular Scoop Strainers - Slide Out Screens - Complete w/ brass positive flow* screens - Sold each



Part Number	Max Thru Hull	A	B	C	D	E	Weight, lbs.
2349pf	1-1/4"	1-1/16"	3-3/8"	2-1/8"	6-5/8"	3-3/4"	1.80
00rss655pf	2"	1-3/4"	5"	3-1/16"	10-5/16"	4-5/8"	3.10
00rss110pf	3"	2-1/8"	9"	4-3/16"	12-3/4"	5-7/8"	4.50
2352pf	4"	2-3/16"	9-7/16"	5-3/8"	13-15/16"	7-1/16"	6.50
2355	4"	3-1/2"	15-5/8"	6-1/8"	21-1/2"	8-1/2"	21.10
2353pf	6"	3-11/16"	15-1/2"	8-1/16"	21-1/2"	10-13/32"	21.26

*Holes are drilled 1/8" on a 45 degree angle.

Replacement Screens for Positive Flow* Rectangular Scoop Strainers - Slide Out Screens - Sold each

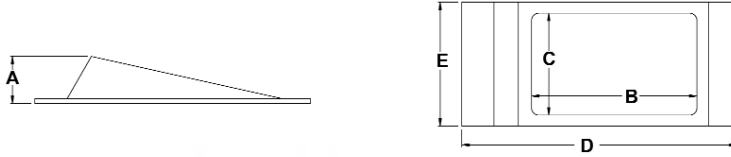


Part Number	Overall Width	Overall Length	Weight, lbs.
2349pfs	2-7/16"	4-3/8"	.30
00rss655pfs	3-1/2"	7-3/16"	.50
00rss11pfs	4-3/4"	10-1/4"	.95
2352spf	6"	11-5/16"	1.25
2355pfs	6-7/8"	17"	2.00
2353spfbars	8-11/16"	16-3/4"	2.80

*Holes are drilled 1/8" on a 45 degree angle.

H

STRAINERS



Rectangular Scoop Strainers - Surface Mount Screens

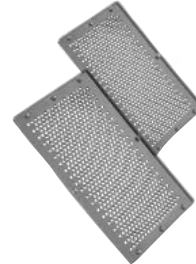
Complete w/ stainless steel perforated screens - Sold each

Part Number	Max Thru Hull	A	B	C	D	E	Weight, lbs.
00rss650p	2"	1-3/4"	5-9/16"	3"	10"	4-1/2"	2.70
00rss1000p	3"	2"	8-3/8"	4-1/2"	13-7/8"	6"	4.20



Replacement Screens for Rectangular Scoop Strainers - Surface Mount Screens

Part Number	Overall Width	Overall Length	Weight, lbs.
00rss650ps	4-1/8"	6-1/2"	.40
00rss100ps	5-1/2"	9-1/2"	.70



Positive Flow* Rectangular Scoop Strainers

Surface Mount Screens - Complete w/ brass positive flow screens
Sold each

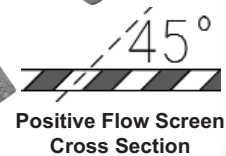
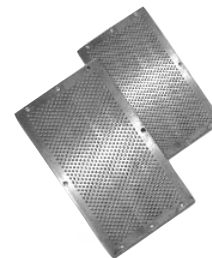
Part Number	Max Thru Hull	A	B	C	D	E	Weight, lbs.
00rss100pf	3"	2"	8-3/8"	4-1/2"	13-7/8"	6"	4.20



Replacement Screens for Positive Flow* Rectangular Scoop Strainers - Surface Mount Screens

Sold each

Part Number	Overall Width	Overall Length	Weight, lbs.
00rss10pfs	5-1/2"	9-1/2"	.70

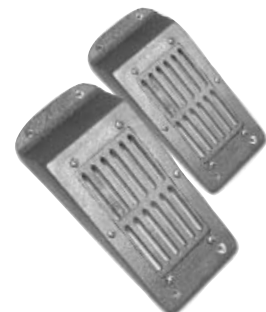


*Holes are drilled 1/8" on a 45 degree angle.

Rectangular Scoop Strainers - Surface Mount Slotted Screens

Complete w/ cast bronze slotted screens - Sold each

Part Number	Max Thru Hull	A	B	C	D	E	Weight, lbs.
00rss650s	2"	1-3/4"	5-9/16"	3"	10"	4-1/2"	2.70
00rss1000s	3"	2"	8-3/8"	4-1/2"	13-7/8"	6"	4.20



Replacement Screens for Rectangular Scoop Strainers - Surface Mount Slotted Screens

Part Number	Overall Width	Overall Length	Weight, lbs.
00rss650ss	4-1/8"	6-1/2"	1.00
00rss100ss	5-1/2"	9-1/2"	2.00



STRAINERS



Bronze Navy Pump Strainers

Complete w/ cast bronze screens - Sold each

Part Number	Thread Size, N.P.T.	Overall Width	Overall Height	Overall Length	Weight, lbs.
00nps100	1"	2-1/2"	2"	4-3/4"	2.00
00nps125	1-1/4"	2-1/2"	2"	4-3/4"	2.00
00nps150	1-1/2"	3-1/2"	2"	5"	3.00
00nps200	2"	3-1/2"	2"	5"	3.00

Aluminum Navy Pump Strainers

Complete w/ cast aluminum screens - Sold each

Part Number	Thread Size, N.P.T.	Overall Width	Overall Height	Overall Length	Weight, lbs.
20npsb100	1"	2-1/2"	2"	4-3/4"	.75
20npsb125	1-1/4"	2-1/2"	2"	4-3/4"	.75
20npsb150	1-1/2"	3-1/2"	2"	5"	1.50
20npsb200	2"	3-1/2"	2"	5"	1.50

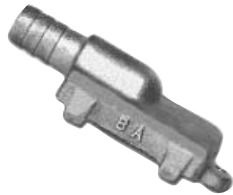
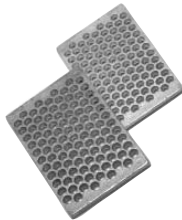
Replacement Screens for Navy Pump Strainers

Bronze Screen - Sold each

Part Number	Use With Part Numbers	Weight, lbs.
00nps100c	00nps100 & 00nps125	.40
00nps150c	00nps150 & 00nps200	.90

Aluminum Screen - Sold each

Part Number	Use With Part Numbers	Weight, lbs.
20npsb100c	20nps100 & 20nps125	.15
20npsb150c	20nps150 & 20nps200	.20

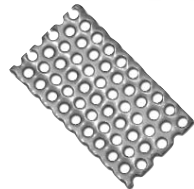


Bronze Navy Pump Strainer - w/ Hose End

Complete w/stainless steel screen - Sold each

Part Number	Hose Size	Overall Width	Overall Height	Overall Length	Weight, lbs.
00nps63h	1"	1-1/2"	1-3/16"	2-1/2"	.40

Replacement Screens for Navy Pump Strainers - w/ Hose End



Stainless Steel Screen - Sold each

Part Number	Use With Part Number	Weight, lbs.
00nps63hc	00nps63h	.10

Bronze Scoop Strainers - Sold each



Part Number	Outside Width	Overall Length	Max Thru Hull	C.S. Screw Size	Weight, lbs.
00ss450	3"	4-1/4"	1/2"	#6	.65
00ss500	3-1/4"	5"	3/4"	#8	.75
00ss600	4"	6"	1"	#8	1.00
00ss650	4-1/4"	6-1/2"	1-1/4"	#8	1.45
00ss850	5-1/4"	8-1/8"	1-1/2"	#10	2.80
00ss1050	8"	13-1/8"	4"	1/4"	6.40
00ss1100	7-1/2"	11"	3"	1/4"	4.60

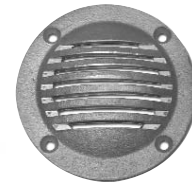
Bronze Round Strainers - Sold each

Part Number	Outside Diameter	Max Thru Hull	C.S. Screw Size	Weight, lbs.
00sr350	3-1/2"	3/4"	#6	.40
00sr400	4"	1"	#8	.55
00sr500	5"	1-1/2"	#8	.65
00sr600	6"	2-1/2"	#8	1.00
00sr800	8"	3"	#10	2.35



Bronze Round Strainers - Slotted - Sold each

Part Number	Outside Diameter	Max Thru Hull	C.S. Screw Size	Weight, lbs.
00sr400s	4"	1"	#8	.55



Bronze Intake Strainers - Web Base - Thru Hull Style

Complete w/ flange nut - Sold each

Part Number	Thread Size, N.P.S.	Stem Length	Base Width	Base Length	C.S. Screw Size	Weight, lbs.
00is50	1/2"	2-1/2"	2-3/4"	3-3/4"	#8	.80
00is75	3/4"	2-1/2"	2-3/4"	3-3/4"	#8	.95
00is100	1"	2-1/2"	2-3/4"	3-3/4"	#8	1.05



Bronze Intake Strainers - Oval Base - Thru Hull Style

Complete w/ flange nut - Sold each

Part Number	Thread Size, N.P.S.	Stem Length	Base Width	Base Length	C.S. Screw Size	Weight, lbs.
00is75L	3/4"	3-1/4"	2-3/8"	3-1/8"	#8	.90
00is100L	1"	3-1/2"	3-1/4"	4-1/4"	#8	1.20
00is125	1-1/4"	3"	3-7/8"	5-3/4"	#10	2.34
00is150	1-1/2"	3-1/2"	3-7/8"	5-3/4"	#10	2.80
00is200	2"	3-1/2"	4"	6"	#10	3.70



Strainers and Skimmers



Figure 1



Figure 2



Figure 3



Figure 4



Figure 5

Part Number* Zinc Plated Steel (Fig. 1)	Part Number 304 Stainless Steel (Fig. 1)	Part Number Zinc Plated Steel (Fig. 2)	Part Number Zinc Plated Steel (Fig. 3)	Part Number Zinc Plated Steel (Fig. 4)	Part Number Black Polyethylene (Fig. 5)	Thread Size, N.P.T.
rhs20	rrhs20	rss20	dst20	dsb20	60tss20	1-1/2"
rhs25	rrhs25	rss25	dst25	dsb25	60tss25	2"
rhs30	n/a	rss30	n/a	n/a	n/a	2-1/2"
rhs35	rrhs35	rss35	dst35	dsb35	60tss35	3"
rhs40	rrhs40	rss40	n/a	n/a	n/a	4"
rhs50	n/a	n/a	n/a	n/a	n/a	5"
rhs100	n/a	n/a	n/a	n/a	n/a	10"
rhs120	n/a	n/a	n/a	n/a	n/a	12"

*Also available in 2-1/2" NST. The part number is rhs3075



Thru Hulls

Standard Thru Hulls.....	110	Drain Plugs - Thru Hull Style.....	114
Thru Hulls w/ Hose End.....	111	Drain Plugs - Flange Style.....	115-116
Flush Type Thru Hulls.....	112	Thru Hull Wrenches.....	116
Water Outlet Thru Hulls.....	113	Fresh Water Washdown.....	117
Drip Lip Thru Hull.....	113	Gas Tank Vents.....	117
Drip Lip Thru Hull w/ Hose End.....	113	Gas Tank Vents w/ Elbow.....	117
High Speed Pick-Ups.....	113	Gas Tank Vents W/ Hose End.....	117

In order to ensure proper function of products, it is strongly recommended that each part is inspected and serviced monthly. Inspection should include, but not be limited to, visible damage, excessive wear, and proper bonding. Service should include, but not be limited to, cleaning and removal of debris that may impede proper function. Failure to properly maintain your product may result in catastrophic failure and/or loss of life.

Bronze Thru Hulls

Machined finish - Complete w/ flange nut - Sold each



Part Number	Thread Size, N.P.S.	Stem Length Under Flange	Flange Diameter	Weight, lbs.
00th38	3/8"	2-1/4"	1-9/16"	.35
00th50	1/2"	2-1/8"	1-13/16"	.35
00th75	3/4"	2-3/8"	2-1/16"	.50
00th100	1"	2-3/4"	2-3/8"	.70
00th125	1-1/4"	3-1/4"	3-1/16"	1.60
00th150	1-1/2"	3-1/2"	3-3/8"	2.25
00th200	2"	4"	3-5/8"	2.75
00th250	2-1/2"	4"	4-1/32"	3.25
00th300	3"	5"	4-11/16"	5.00
00th400	4"	5-1/4"	5-3/4"	13.70

Bronze Thru Hulls - Extra Long

Machined finish - Complete w/ flange nut - Sold each

Part Number	Thread Size, N.P.S.	Stem Length Under Flange	Flange Diameter	Weight, lbs.
00th75xL	3/4"	5-9/16"	2"	.80
00th100xL	1"	5-9/16"	2-1/2"	1.20
00th125xL	1-1/4"	5-9/16"	3-1/16"	2.30
00th150xL	1-1/2"	5-9/16"	3-3/8"	2.40
00th200xL	2"	5-9/16"	3-5/8"	3.30

Replacement Flange Nuts for Bronze Thru Hulls - Sold each



Part Number	Use With Part Numbers	Weight, lbs.	Part Number	Use With Part Numbers	Weight, lbs.
00thn38	00th38	.10	00thn150	00th150 & 00th150xL	.45
00thn50	00th50	.10	00thn200	00th200 & 00th200xL	.50
00thn75	00th75 & 00th75xL	.15	00thn250	00thn250	.55
00thn100	00th100 & 00th100xL	.20	00thn300	00thn300	.85
00thn125	00th125 & 00th125xL	.35	00thn400	00thn400	1.90

316 Stainless Steel Thru Hulls

Polished finish - Complete w/ nut & grounding washer - Sold each



Part Number	Thread Size, N.P.S.	Stem Length Under Flange	Flange Diameter	Weight, lbs.
70th050gs	1/2"	2-3/8"	1-5/8"	.30
70th075gs	3/4"	2-3/4"	1-7/8"	.50
70th100gs	1"	2-7/8"	2-1/4"	.70
70th125gs	1-1/4"	3-1/8"	2-1/2"	.90
70th150gs	1-1/2"	3-1/8"	2-5/8"	1.25
70th200gs	2"	4-1/8"	3-1/4"	2.00
70th300gs	3"	5-3/8"	4-3/4"	4.75
70th400gs*	4"	6"	5-3/4"	4.90

* Does not come with grounding washer.

Bronze Thru Hulls - w/ Hose End

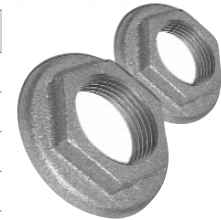
Machined finish - Complete w/ flange nut - Sold each

Part Number	Hose I. D.	Thread Size, N.P.S.	Stem Length Under Flange	Flange Diameter	Weight, lbs.
00thh062	5/8"	1/2"	3-3/8"	1-3/4"	.50
00thh75	3/4"	3/4"	3-1/4"	2-1/16"	.60
00thh100	1"	1"	3-1/4"	2-3/8"	.80
00thh1125	1-1/8"	1"	3-3/8"	2-3/8"	.90
00thh150	1-1/2"	1-1/2"	3-7/8"	3-5/32"	2.00
00thh200	2"	2"	3-1/4"	3-1/4"	2.50
00thh250	2-1/2"	2-1/2"	4-3/8"	4"	5.00
00thh300	3"	3"	5-1/2"	4-3/4"	8.60
00thh400	4"	4"	6"	5-3/4"	13.00



Replacement Flange Nuts for Bronze Thru Hulls w/ Hose End - Sold each

Part Number	Use With Part Numbers	Weight, lbs.	Part Number	Use With Part Numbers	Weight, lbs.
00thn50	00thh062	.10	00sLn100fg	00thh200	1.10
00thn75	00thh75	.10	00sLn138fg	00thh250	1.15
00thn100	00thh100 & 00thh1125	.20	00thn300	00thh300	.85
00thn150	00thh150	.45	00sLn275fg	00thh400	2.50



316 Stainless Steel Thru Hulls - w/ Hose End

Polished finish - Complete w/ flange nut - Sold each

Part Number	Hose I. D.	Stem Length Under Flange	Flange Diameter	Weight, lbs.
70thh625	5/8"	3"	1-1/2"	.40
70thh75	3/4"	3"	1-1/2"	.60
70thh100	1"	3-13/64"	2"	.75
70thh112	1-1/8"	3-13/32"	2"	.70
70thh125	1-1/4"	3-19/32"	2-45/64"	1.30
70thh150	1-1/2"	3-51/64"	2-3/4"	1.20
70thh200	2"	4"	2-13/32"	1.80



Nylon/Fiberglass Thru Hulls - w/ Hose End

Complete w/ polished stainless steel cap & nylon/fiberglass flange nut - Sold each

Part Number	Hose I. D.	Stem Length Under Flange	Flange Diameter	Weight, lbs.
60thh625ss	5/8"	3"	1-5/8"	.15
60thh75ss	3/4"	3"	1-5/8"	.15
60thh100ss	1"	3-13/64"	2"	.20
60thh112ss	1-1/8"	3-13/32"	2"	.20
60thh125ss	1-1/4"	3-29/32"	2-35/64"	.25
60thh150ss	1-1/2"	3-29/32"	2-35/64"	.25



Bronze Thru Hulls - Flush Type

Machined finish - Complete w/ flange nut - Sold each



Part Number	Thread Size, N.P.S.	Stem Length Under Flange	Flange Diameter	Flange Thickness	Flange Angle, Deg.	Weight, lbs.
00th50f	1/2"	2-5/16"	2-1/2"	3/8"	45	.60
00th75f	3/4"	2-5/16"	2-1/2"	3/8"	45	.80
00th100f	1"	2-1/2"	3"	3/8"	45	1.10
00th125f	1-1/4"	3-1/8"	3"	3/8"	45	1.50
00th150f	1-1/2"	3-3/8"	3-1/4"	3/8"	45	1.75

Bronze Thru Hulls - Flush Type - w/ Perforated Screen

Machined finish - Complete w/ flange nut - Sold each



Part Number	Thread Size, N.P.S.	Stem Length Under Flange	Flange Diameter	Flange Thickness	Flange Angle, Deg.	Weight, lbs.
00th50fs	1/2"	2-5/16"	2-1/2"	3/8"	45	.60
00th75fs	3/4"	2-5/16"	2-1/2"	3/8"	45	.80
00th100fs	1"	2-1/2"	3"	3/8"	45	1.10
00th125fs	1-1/4"	3-1/8"	3"	3/8"	45	1.50
00th150fs	1-1/2"	3-3/8"	3-1/4"	3/8"	45	1.75

Replacement Flange Nuts for Bronze Thru Hulls Flush Type - Sold each



Part Number	Use With Part Numbers	Weight, lbs.
00thn50	00th50f & 00th50fs	.10
00thn75	00th75f & 00th75fs	.15
00thn100	00th100f & 00th100fs	.20
00thn125	00th125f & 00th125fs	.35
00thn150	00th150f & 00th150fs	.45

Water Outlet Thru Hulls

Available in a cast bronze, white powder coated, or polished stainless steel finish - Complete w/ flange nut - Sold each

Part Number Cast Bronze	Part Number Powder Coated	Part Number Stainless Steel	Thread Size, N.P.S.	Stem Length Under Flange	Flange Diameter	Weight, lbs.
00th75wo	370037	70th75wo	3/4"	4"	2-5/8"	1.35



316 Stainless Steel Thru Hull - w/ Drip Lip

Polished finish - Complete w/ flange nut - Sold each

Part Number	Thread Size, N.P.S.	Stem Length Under Flange	Flange Diameter	Weight, lbs.
70th200dL	2"	3-3/4"	3-1/4"	1.70



316 Stainless Steel Thru Hull - w/ Drip Lip & Hose End

Polished Finish - Complete w/ flange nut - Sold each

Part Number	Hose I. D.	Thread Size, N.P.S.	Stem Length Under Flange	Flange Diameter	Weight, lbs.
70thh200dL	2"	2"	4-1/2"	3-1/4"	1.85



Bronze High Speed Pick Ups

Machined finish - Complete w/ flange nut - Sold each

Part Number	Thread Size, N.P.S.	Stem Length Under Flange	Flange Diameter	Weight, lbs.
00th75hs	3/4"	2-3/8"	2-1/16"	.45
00th100hs	1"	2-3/4"	2-3/8"	.60
00th150hs	1-1/2"	3-1/2"	3-3/8"	2.20



Replacement Flange Nuts for Bronze High Speed Pick ups - Sold each

Part Number	Use With Part Numbers	Weight, lbs.
00thn75	00th75hs	.15
00thn100	00th100hs	.20
00thn150	00th150hs	.45





Bronze Drain Plugs - Thru Hull Style

Complete w/ flange nut & T-handle - Sold complete

Part Number	Plug Size, N.P.T.	Stem Length Under Flange	Flange Diameter	Weight, lbs.
00dpn84Lt	1/2"	1-1/8"	2-3/16"	.65
00dpn84et	1/2"	1-5/8"	2-1/4"	.75

Replacement Parts for Bronze Drain Plugs - Thru Hull Style



T-Handle - Sold each

Part Number	Use With Part Numbers
00dp84th	00dpn84Lt & 00dpn84et



Flange Nut - Sold each

Part Number	Use With Part Numbers
00thn75	00dpn84Lt & 00dpn84et



Bronze Drain Plug - Thru Hull Style

Complete w/ flange nut & T-handle - Sold complete

Part Number	Plug Size, N.P.T.	Stem Length Under Flange	Flange Diameter	Weight, lbs.
00dpn105t	3/4"	1-1/4"	2-1/2"	1.15

Replacement Parts for Bronze Drain Plug - Thru Hull Style



T-Handle - Sold each

Part Number	Use With Part Number
00dp105th	00dpn105t



Flange Nut - Sold each

Part Number	Use With Part Number
00thn100	00dpn105t



Bronze Drain Plugs - Thru Hull Style

Complete w/ flange nut & "Tuff-Lite" plug - Sold complete

Part Number	Plug Size, N.P.T.	Stem Length Under Flange	Flange Diameter	Weight, lbs.
00dpn84L	1/2"	1-1/8"	2-3/16"	.50
00dpn84e	1/2"	1-5/8"	2-1/4"	.70

Replacement Parts for Bronze Drain Plugs - Thru Hull Style



"Tuff-Lite" Plug - Sold each

Part Number	Use With Part Numbers
60tps4	00dpn84L & 00dpn84e



Flange Nut - Sold each

Part Number	Use With Part Numbers
00thn75	00dpn84L & 00dpn84e



Bronze Drain Plug - Thru Hull Style

Complete w/ flange nut & "Tuff-Lite" plug - Sold complete

Part Number	Plug Size, N.P.T.	Stem Length Under Flange	Flange Diameter	Weight, lbs.
00dpn105	3/4"	1-1/4"	2-1/2"	.75

Replacement Parts for Bronze Drain Plug - Thru Hull Style



"Tuff-Lite" Plug - Sold each

Part Number	Use With Part Number
60tps6	00dpn105



Flange Nut - Sold each

Part Number	Use With Part Number
00thn100	00dpn105

Bronze Drain Plug - Flange Style

Complete w/ T-handle - Sold complete

Part Number	Plug Size, N.P.T.	Hub Length Under Flange	Flange Diameter	Overall Height	C.S. Screw Size	Weight, lbs.
00dp84t	1/2"	3/4"	2"	3"	#8	.65



Replacement T-Handles for Bronze Drain Plug - Flange Style - Sold each

Part Number	Use With Part Number
00dp84th	00dp84t



Bronze Drain Plug - Flange Style

Complete w/ "Tuff-Lite" plug - Sold complete

Part Number	Plug Size, N.P.T.	Hub Length Under Flange	Flange Diameter	Overall Height	C.S. Screw Size	Weight, lbs.
00dp84	1/2"	3/4"	2"	1-1/4"	#8	.25



Replacement "Tuff-Lite" Plug for Bronze Drain Plug - Flange Style - Sold each

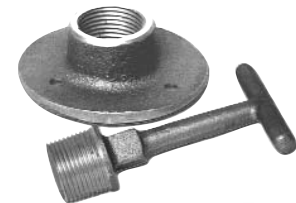
Part Number	Use With Part Number
60tps4	00dp84



Bronze Drain Plug - Flange Style

Complete w/ T-handle - Sold complete

Part Number	Plug Size, N.P.T.	Hub Length Under Flange	Flange Diameter	Overall Height	C.S. Screw Size	Weight, lbs.
00dp105t	3/4"	3/4"	2-7/8"	4-3/8"	#8	.80



Replacement T-Handles for Bronze Drain Plug - Flange Style - Sold each

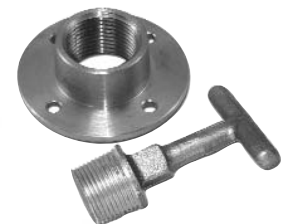
Part Number	Use With Part Number
00dp105th	00dp105t



Bronze Drain Plug - Flange Style

Complete w/ T-handle - Sold complete

Part Number	Plug Size, N.P.T.	Hub Length Under Flange	Flange Diameter	Overall Height	C.S. Screw Size	Weight, lbs.
00dp105ts	3/4"	3/4"	2-7/8"	3-3/4"	#8	.75



Replacement T-Handles for Bronze Drain Plug - Flange Style - Sold each

Part Number	Use With Part Number
00dp105tsh	00dp105ts





Bronze Drain Plug - Flange Style

Complete w/ bronze plug & wrench - Sold complete

Part Number	Plug Size, N.P.T.	Hub Length Under Flange	Flange Diameter	Screw Size	Weight, lbs.
00dp100	1"	7/8"	3-1/8"	#8	1.20

Replacement parts for Bronze Drain Plug - Flange Style



Bronze Plug - Sold each

Part Number	Use With Part Number
00dp100p	00dp100



Wrench - Sold each

Part Number	Use With Part Number
bbsw50	00dp100



Bronze Drain Plug - Flange style

Complete w/ hex plug - Sold complete

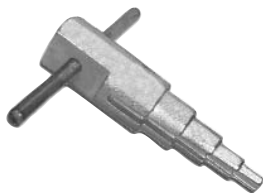
Part Number	Plug Size, N.P.T.	Hub Length Under Flange	Flange Diameter	Screw Size	Weight, lbs.
sigarpLug5	1/2"	7/8"	2-5/8"	#8	.25

Replacement parts for Bronze Drain Plug - Flange Style



Hex Plug - Sold each

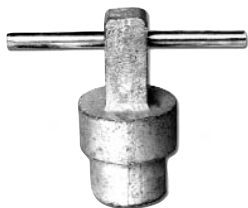
Part Number	Use With Part Number
00tps4	sigarpLug5



Thru Hull Step Wrench

Plated malleable iron - Sold each

Part Number	Fits Thru Hulls Min to Max	Overall Length	Weight, lbs.
3bthw50150	1/2" to 1-1/2"	6-1/4"	2.90



Thru Hull Step Wrench

Plated malleable iron - Sold each

Part Number	Fits Thru Hulls Min to Max	Overall Length	Weight, lbs.
3bthw20250	2" to 2-1/2"	4-1/2"	2.25



Thru Hull Step Wrench

Plated malleable iron - Sold each

Part Number	Fits Thru Hull	Overall Length	Weight, lbs.
3bthw300	3"	2-3/4"	2.60

Chrome Plated Bronze Fresh Water Washdown

Polished finish - Complete w/ nylon fitting, cap, & cast bronze flanged lock nut - Sold each

Part Number	Thru Hull Size, N.P.T.	Cap Thread Size, G.H.T.	Nylon Fitting Thread, G.H.T.	Overall Height	Weight, lbs.
02thtr0625	3/4"	5/8"	5/8"	3-3/4"	.75



Gas Tank Vents - Available in a cast bronze or polished 316 stainless steel finish - Complete w/ flanged nut - Sold each

Part Number Cast Bronze	Part Number Stainless Steel	Thread Size, N.P.S.	Stem Length Under Flange	Flange Diameter	Weight, lbs.
00gtvn38	70gtvn38	3/8"	1-1/2"	1-1/2"	.30
00gtvn50	70gtvn50	1/2"	1-1/2"	1-1/2"	.35



Gas Tank Vents - w/ Elbow - Available in a cast bronze or polished 316 stainless steel finish - Complete w/ flanged nut & bronze elbow - Sold each

Part Number Cast Bronze	Part Number Stainless Steel	Thru Hull Thread Size, N.P.S.	Elbow Thread Size, N.P.T.	Stem Length Under Flange	Flange Diameter	Weight, lbs.
00gtvf38	70gtvf38	3/8"	3/8"	1-1/2"	1-1/2"	.30
00gtvf50	70gtvf50	1/2"	1/2"	1-1/2"	1-1/2"	.35



Gas Tank Vents - w/ Hose End - Available in a cast bronze or polished 316 stainless steel finish - Complete w/ flanged nut - Sold each

Part Number Cast Bronze	Part Number Stainless Steel	Thru Hull Thread Size, N.P.S.	Hose I. D.	Stem Length Under Flange	Flange Diameter	Weight, lbs.
00gtvn50h	70gtvn50h	1/2"	5/8"	2"	1-1/2"	.40



316 Stainless Steel Gas Tank Vents - w/ Hose End

Complete w/ rubber gasket, star washer & nut - Sold each

Part Number	Thru Hull Thread Size, N.P.S.	Hose I. D.	Stem Length Under Flange	Flange Diameter	Weight, lbs.
70gtvn58hs	1/2"	5/8"	2-1/4"	1"	.25



316 Stainless Steel Gas Tank Vents - w/ 90 Deg. Hose End

Complete w/ rubber gasket, star washer & nut - Sold each

Part Number	Thru Hull Thread Size, N.P.S.	Hose I. D.	Stem Length Under Flange	Flange Diameter	Weight, lbs.
70gtvn58ehs	1/2"	5/8"	3"	1"	.25





In order to ensure proper function of products, it is strongly recommended that each part is inspected and serviced monthly. Inspection should include, but not be limited to, visible damage, excessive wear, and proper bonding. Service should include, but not be limited to, cleaning and removal of debris that may impede proper function, as well as all valve handles should be exercised. To avoid potential damage, all valves should be properly winterized. Failure to properly maintain your product may result in catastrophic failure and/or loss of life.

Valves

Inverted Check Valves.....	122
Ball Valves.....	123
Ball Type Seacocks.....	124
Low Profile Ball Valves.....	125
Gate Valves.....	126
Swing Check Valves.....	126
Mini Valves.....	127
Stainless Ball Valves.....	127

Venting improves the efficiency of loading and unloading cargo by eliminating dangerous pressure of vacuum buildup. Inverted vent check valves add a measure of security, preventing deck wash, deck fire and debris from traveling through the vent.

Inverted Vent Check Valves - Available in cast iron, bronze and aluminum - Sold complete



Part Number Iron	Part Number Bronze	Part Number Aluminum	Thread Size, N.P.T.	Overall Height	Overall Diameter
53icv150	00bcv150	20acv150	1-1/2"	5-1/4"	3-7/16"
53icv200	00bcv200	20acv200	2"	6"	4-1/8"
53icv250	00bcv250	20acv250	2-1/2"	7"	4-7/8"
53icv300	00bcv300	20acv300	3"	8-3/8"	5-1/2"
53icv400	00bcv400	20acv400	4"	9-1/2"	7-1/8"

Inverted Vent Check Valves - Standard Components

Parts for Iron Valves - Sold each

Size	Float	Float Stop	Fire Screen	Debris Screen	Retaining Ring
1-1/2"	00cv150cf	53icv150fs	70cv150fs	3bcv150sds	53bcv150rr
2"	00cv200cf	53icv200fs	70cv200fs	3bcv200sds	53bcv200rr
2-1/2"	00cv250cf	53icv250fs	70cv250fs	3bcv250sds	53bcv250rr
3"	00cv300cf	53icv300fs	70cv300fs	3bcv300sds	53bcv300rr
4"	00cv400cf	53icv400fs	70cv400fs	3bcv400sds	53bcv400rr

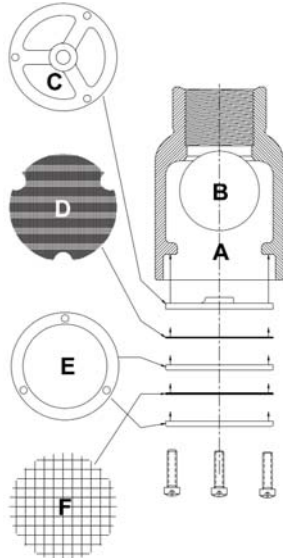
Parts for Bronze Valves - Sold each

Size	Float	Float Stop	Fire Screen	Debris Screen	Retaining Ring
1-1/2"	00cv150cf	00bcv150fs	70cv150fs	3bcv150sds	00bcv150rr
2"	00cv200cf	00bcv200fs	70cv200fs	3bcv200sds	00bcv200rr
2-1/2"	00cv250cf	00bcv250fs	70cv250fs	3bcv250sds	00bcv250rr
3"	00cv300cf	00bcv300fs	70cv300fs	3bcv300sds	00bcv300rr
4"	00cv400cf	00bcv400fs	70cv400fs	3bcv400sds	00bcv400rr

Parts for Aluminum Valves - Sold each

Size	Float	Float Stop	Fire Screen	Debris Screen	Retaining Ring
1-1/2"	70acv150sf	20acv150fs	70cv150fs	70cv150sds	20acv150rr
2"	70acv200sf	20acv200fs	70cv200fs	70cv200sds	20acv200rr
2-1/2"	70acv250sf	20acv250fs	70cv250fs	70cv250sds	20acv250rr
3"	70acv300sf	20acv300fs	70cv300fs	70cv300sds	20acv300rr
4"	70acv400sf	20acv400fs	70cv400fs	70cv400sds	20acv400rr

Inverted Vent Check Valves - Standard Component Breakdown



- (A) **Body** - Available in cast iron, bronze, or aluminum with internal N.P.T. threads.
- (B) **Float** - Available in spun copper for the iron and bronze valves. Stainless steel floats are available for the aluminum valves.
- (C) **Float Stop** - Precision cast iron, bronze or aluminum to locate the ball.
- (D) **Fire Screen** - Stainless steel 30 x 30 x .12 fine mesh screen.
- (E) **Retaining Ring** - Available in cast iron, bronze or aluminum. The retaining ring is also used for a spacer between the fire screen and debris screen.
- (F) **Debris Screen** - Galvanized screens for iron and bronze valves. Stainless steel screens for the aluminum valves with a coarse #4 mesh x .029 opening.

Bronze Ball Valves - Sold each

- Full flow
- Rated to 600 P.S.I.
- Can be used for water, oil & gas
- Hard chromed ball
- Stainless steel vinyl coated handle
- Aluminum handles for larger sizes

Part Number	Thread Size, N.P.T.	Overall Height of Casting	Weight, lbs.
00bbv25fss	1/4"	2"	.45
00bbv38fss	3/8"	2-1/16"	.45
00bbv50fss	1/2"	2-1/2"	.65
00bbv75fss	3/4"	2-3/4"	.95
00bbv100fs	1"	3-1/8"	1.50
00bbv125fs	1-1/4"	3-7/16"	2.30
00bbv150fs	1-1/2"	3-7/8"	3.10
00bbv200fa*	2"	4-7/16"	4.95
00bbv250fa*	2-1/2"	5-5/8"	10.00
00bbv300fa*	3"	6-5/8"	16.00
00bbv400fa*	4"	7-1/2"	29.00

* Only available in a black coated aluminum handle.
Failure to properly winterize may cause damage to valve.



Replacement Handles for the Bronze Ball Valves

Complete w/ vinyl coated stainless steel handle and nut - Sold each

Part Number	Overall Length of Handle	Size of Mounting Hole	Use With Part Numbers
bbvkit25	4-3/8"	3/16" x 9/32"	00bbv25fss
bbvkit38	4-3/8"	3/16" x 9/32"	00bbv38fss
bbvkit50	4-3/8"	3/16" x 9/32"	00bbv50fss
bbvkit75	5-3/8"	1/4" x 3/8"	00bbv75fss
bbvkit100	5-3/8"	1/4" x 3/8"	00bbv100fs
bbvkit125	6-3/4"	5/16" x 1/2"	00bbv125fs
bbvkit150	6-3/4"	5-16" x 1/2"	00bbv150fs
bbvkit200*	7-1/2"	13/32" x 5/8"	00bbv200fa
bbvkit250*	9"	1/2" x 1/2"	00bbv250fa
bbvkit300*	9"	1/2" x 1/2"	00bbv300fa
bbvkit400*	11-1/2"	3/4" X 3/4"	00bbv400fa

* Does not come with a vinyl coated handle. Only available in a black coated aluminum handle.



Bronze Ball Type Seacocks - Sold each

- Drain plug & grounding screw
- Full flow
- Low profile
- Hard chromed ball.
- Stainless steel vinyl coated handle
- Rated to 600 P.S.I.
- Can be used for water, oil & gas
- UL listed (1121)



Part Number	Thread Size	Overall Height of Casting	Bolt Circle	Weight, lbs.
00asc75Lp	3/4"	2-11/16"	3-1/8"	1.60
00asc100Lp	1"	3-19/64"	3-3/8"	2.15
00asc125Lp	1-1/4"	3-3/4"	3-5/8"	4.00
00asc150Lp	1-1/2"	4-3/64"	4-1/2"	5.50
00asc200Lp	2"	4-9/16"	5"	10.90
00asc250Lp*	2-1/2"	6-9/64"	5-7/8"	11.30
00asc300Lp*	3"	6-31/32"	7"	19.80
00asc400Lp*	4"	8-3/8"	8-1/2"	34.00

* Does not come with a vinyl coated handle. Only available in cast stainless steel.
Failure to properly winterize may cause damage to valve.
Failure to regularly exercise valve handle may result in valve failure.

Replacement Handles for the Ball Type Seacocks

Complete w/ vinyl coated stainless steel handle and nut - Sold each



Part Number	Overall Length of Handle	Size of Mounting Hole	Use With Part Numbers
bbvkit75Lp	4-1/4"	3/16" x 5/16"	00asc75Lp
bbvkit100Lp	4-1/4"	3/16" x 5/16"	00asc100Lp
bbvkit125Lp	5"	5/16" x 7/16"	00asc125Lp
bbvkit150Lp	7"	3/8" x 1/2"	00asc150Lp
bbvkit200Lp	7"	1/2" x 11/16"	00asc200Lp
bbvkit250Lp*	9-1/4"	5/8" x 5/8"	00asc250Lp
bbvkit300Lp*	9-1/4"	5/8" x 5/8"	00asc300Lp
bbvkit400Lp*	9-1/4"	5/8" x 5/8"	00asc400Lp

* Does not come with a vinyl coated handle. Only available in cast stainless steel.

Bronze Low Profile Ball Valves - Sold each

- Drain plug
- Grounding screw
- Full flow
- Low profile
- Hard chromed ball
- Stainless steel vinyl coated handle
- 600 P.S.I.
- Can be used for water, oil & gas

Part Number	Thread Size, N.P.T.	Overall Height of Casting	Weight, lbs.
00bbv38Lp	3/8"	1-7/8"	.45
00bbv50Lp	1/2"	2-7/16"	.70
00bbv75Lp	3/4"	2-11/16"	.95
00bbv100Lp	1"	3-1/4"	1.60
00bbv125Lp	1-1/4"	3-5/8"	2.50
00bbv150Lp	1-1/2"	4-1/16"	3.30
00bbv200Lp	2"	4-3/4"	4.95
00bbv250Lp*	2-1/2"	6-1/4"	9.50
00bbv300Lp*	3"	6-3/4"	13.20



* Does not come with a vinyl coated handle. Only available in cast stainless steel.
Failure to properly winterize may cause damage to valve.
Failure to regularly exercise valve handle may result in valve failure.

Replacement Handles for the Low Profile Ball Valves

Complete w/ vinyl coated stainless steel handle and nut - Sold each

Part Number	Overall Length of Handle	Size of Mounting Hole	Use With Part Numbers
bbvkit38Lp	4"	3/16" x 5/16"	00bbv38Lp
bbvkit50Lp	4"	3/16" x 5/16"	00bbv50Lp
bbvkit75Lp	4-1/4"	3/16" x 5/16"	00bbv75Lp
bbvkit100Lp	4-1/4"	3/16" x 5/16"	00bbv100Lp
bbvkit125Lp	5"	5/16" x 7/16"	00bbv125Lp
bbvkit150Lp	7"	3/8" x 1/2"	00bbv150Lp
bbvkit200Lp	7"	1/2" x 11/16"	00bbv200Lp
bbvkit250Lp*	9-1/4"	5/8" x 5/8"	00bbv250Lp
bbvkit300Lp*	9-1/4"	5/8" x 5/8"	00bbv300Lp
bbvkit400Lp*	9-1/4"	5/8" x 5/8"	00bbv400Lp



* Does not come with a vinyl coated handle. Only available in cast stainless steel.

Bronze Gate Valves - Sold each



- Rated to 200 P.S.I.
- Non-rising stem
- Solid wedge disc
- Iron handle
- Threaded bonnet
- Integral seat
- Can be used for water, oil & gas
- Adjustable packing nut

Part Number	Thread Size, N.P.T.	Overall Length of Casting	Weight, lbs.
00gv38	3/8"	1-5/8"	.55
00gv50	1/2"	1-11/16"	.65
00gv75	3/4"	1-7/8"	1.00
00gv100	1"	2-3/16"	1.80
00gv125	1-1/4"	2-1/4"	2.00
00gv150	1-1/2"	2-7/16"	2.75
00gv200	2"	2-3/4"	4.00
00gv250	2-1/2"	3-3/4"	6.50
00gv300	3"	4"	9.50

Failure to properly winterize may cause damage to valve.
Failure to regularly exercise valve handle may result in valve failure.

Bronze Swing Check Valves - Sold each

Swing check valves are designed to prevent back flow in plumbing and liquid piping systems, while offering full flow performance with minimum turbulence or pressure loss.

A positive seating disc allows flow only in one direction and a screw-in cap provides easy access for periodic cleaning.



- Horizontal or vertical use
- Rated to 200 P.S.I.
- Can be used for water, oil & gas
- Temperature range -20EF to 150EF

Part Number	Thread Size, N.P.T.	Overall Length of Casting	Weight, lbs.
00scv50	1/2"	2-1/16"	.40
00scv75	3/4"	2-7/16"	.55
00scv100	1"	2-9/16"	.75
00scv125	1-1/4"	3-1/4"	1.35
00scv150	1-1/2"	3-3/4"	1.95

Nickel Plated Brass Mini Valves - Sold each

- Rated to 150 P.S.I.
- Can be used for water & gas
- Teflon seats
- Buna-N stem seal
- Blow-out proof stem
- Temperature up to 150EF

Part Number	Thread Size, N.P.T.	Overall Length of Casting	Weight, lbs.
mbv25	1/4"	1-1/16"	.20
mbv38	3/8"	1-11/16"	.20
mbv50	1/2"	2-3/16"	.35

Failure to properly winterize may cause damage to valve.
Failure to regularly exercise valve handle may result in valve failure.



316 Stainless Steel Ball Valves - Sold each

- Full flow
- Rated to 800 P.S.I.
- Can be used for water, oil & gas
- 316 Stainless ball, stem, & body
- Teflon seat, joint gasket, & washer
- Temperature range -60EF to 450EF

Part Number	Thread Size, N.P.T.	Overall Height of Casting	Weight, lbs.
70ssbv25	1/4"	2-1/8"	.70
70ssbv38	3/8"	2-1/8"	.65
70ssbv50	1/2"	2-1/2"	1.05
70ssbv75	3/4"	3"	1.30
70ssbv100	1"	3-1/2"	2.35
70ssbv125	1-1/4"	4"	3.40
70ssbv150	1-1/2"	4-3/8"	5.10
70ssbv200	2"	4-15/16"	7.50
70ssbv250	2-1/2"	6-3/8"	15.00
70ssbv300	3"	7"	28.00

Failure to properly winterize may cause damage to valve.
Failure to regularly exercise valve handle may result in valve failure.





In order to ensure proper function of products, it is strongly recommended that each part is inspected and serviced monthly. Inspection should include, but not be limited to, visible damage, excessive wear, and proper bonding. Failure to properly maintain your product may result in catastrophic failure and/or loss of life.

Misc. Hardware

K

Standard Oar Locks.....	130	Side & Top Mount Brackets.....	130
Ring Style Oar Locks.....	130	Davis Style Oar Lock.....	131
North River Oar Locks.....	130	Swordfish Dart & Shank.....	131
Top Mount Brackets.....	130	Bronze Backing Plate for Hull Zinc....	131
Side Mount Brackets.....	130	Door Stop.....	131



Oar Locks - Standard Style

Available in malleable iron & cast bronze - Sold in pairs

Part Number Iron	Part Number Bronze	Oar Lock Size #	Horn I. D.	Overall Height	Stem Length Under Flange	Shank O. D.	Weight, lbs.
33oL4h	00oL4hb	0	2-1/8"	5"	2"	1/2"	.90



Oar Locks - Ring Style

Available in malleable iron & cast bronze - Sold in pairs

Part Number Iron	Part Number Bronze	Oar Lock Size #	Ring I. D.	Overall Height	Stem Length Under Flange	Shank O. D.	Weight, lbs.
33oL5ro	00oL5rob	0	2"	5-1/4"	2-1/8"	1/2"	.75
33oL5r1	00oL5rib	1	2-1/4"	5-1/2"	2-1/8"	1/2"	1.00



Cast Bronze Oar Lock - North River Style - Sold in pairs

Part Number	Oar Lock Size #	Horn I. D.	Overall Height	Stem Length Under Flange	Shank O. D.	Weight, lbs.
00oL1hb	0	2"	5"	2-1/4"	1/2"	1.00

K



Oar Lock Brackets - Top Mount

Available in malleable iron & cast bronze - Sold in pairs

Part Number Iron	Part Number Bronze	Flange Width	Flange Length	Length Under Flange	Hole I. D.	Screw C to C	C.S. Screw Size	Weight, lbs.
33oL1f	00oL5fb	1-1/8"	3-1/4"	1-1/4"	1/2"	2-1/2"	#10	.50



Bronze Oar Lock Brackets - Side Mount - Sold in pairs

Part Number	Flange Width	Flange Length	Hub Length	Hole I. D.	C.S. Screw Size	Weight, lbs.
00oL5sb	7/8"	3-7/8"	1-3/8"	1/2"	#10	.70



Bronze Oar Lock Brackets - Side & Top Mount - Sold in pairs

Part Number	Overall Width	Overall Height	Hole I. D.	C.S. Screw Size	Weight, lbs.
00oL5ab	4"	1-1/4"	1/2"	#10	.50

Malleable Iron Oar Locks - Davis Style

Complete w/ bracket - Sold in complete pairs

Part Number	Horn I. D.	Overall Height	Stem Length Under Flange	Shank O. D.	Base Height	Base Width	Screw C to C	C.S. Screw Size	Weight, lbs.
33ol2	2-1/8"	5-1/2"	2-1/8"	5/8"	2-1/4"	3-1/4"	2-1/4" x 1"	#10	2.10



Swordfish Dart & Shank Set - Complete w/ cast bronze dart, steel shank, & cast bronze socket - Sold in complete sets

Part Number	Overall Length	Length of Dart	Diameter of Hole in Dart	Socket Diameter	Weight, lbs.
00ds500	28"	4-3/4"	5/16"	1-3/8"	1.50



Parts for Swordfish Dart & Shank Set

Bronze Dart - Sold each

Part Number	Weight, lbs.
00sfd500	1.50



Steel Shank - Sold each

Part Number	Weight, lbs.
80ds500r	1.50



Bronze Socket - Sold each

Part Number	Weight, lbs.
00ds500f	1.50



Bronze Backing Plate for Hull Zinc - Sold each

Part Number	Overall Length	Overall Width	Overall Thickness	Screw C to C	Screw Size, C.S.	Center Bolt Thread Size	Weight, lbs.
10zp900bp	9-1/2"	4-1/2"	7/16"	5-1/4"	5/16"	3/8"-16 NC2	3.50



316 Stainless Steel Door Stop

Complete w/ grooved rubber foot pad - Sold each

Part Number	Overall Length	Base W x L	Diameter of Foot Pad	Screw Size, C.S.	Weight, lbs.
70doorstop	6"	1-5/8" x 2"	1"	#8	.50



K

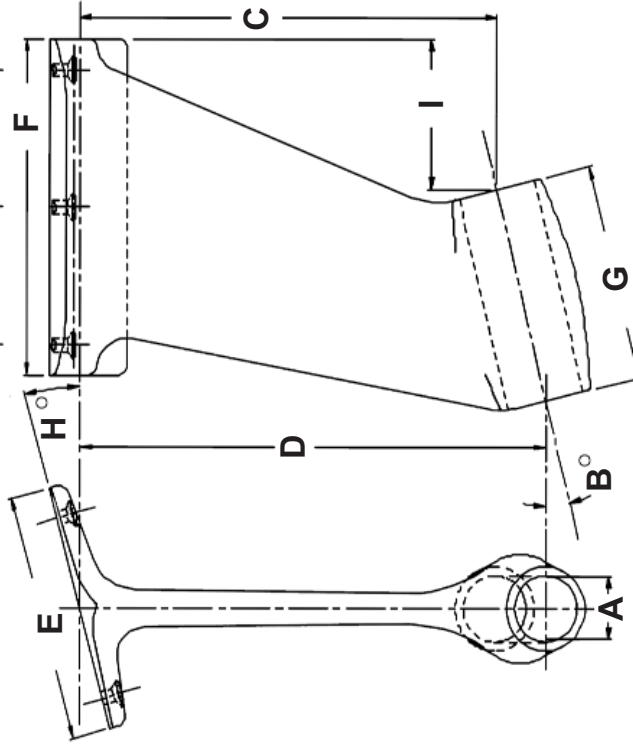
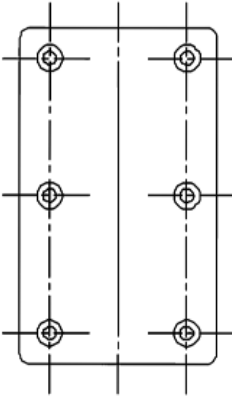
MISC HARDWARE



Port & Starboard Main Strut

- (A) - Bore Size: _____
- (B) - Shaft Angle: _____
- (C) - Fwd Drop: _____
- (D) - Aft Drop: _____
- (E) - Base Width: _____
- (F) - Base Length: _____
- (G) - Barrel Length: _____
- (H) - Dead Rise Angle: _____
- (I) - Offset: _____

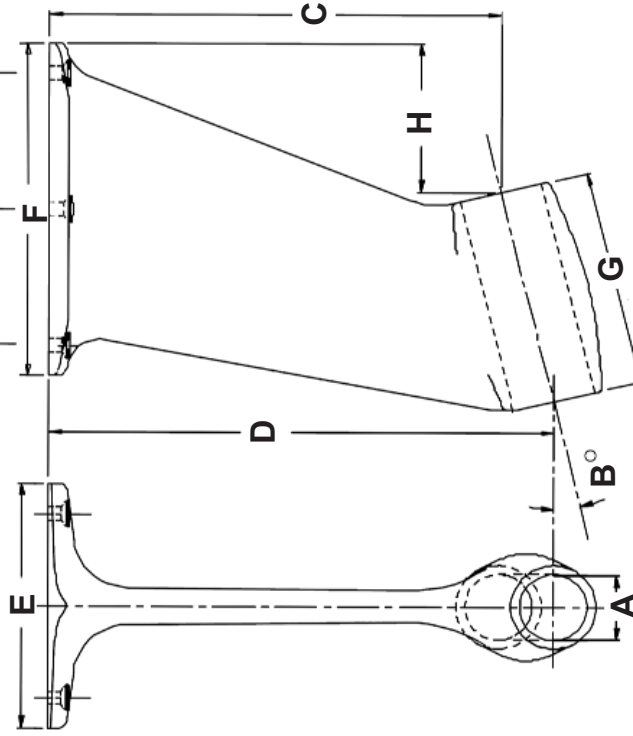
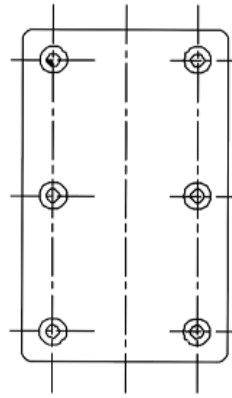
Describe bolthole layout:
size, style, locations, quantity, etc.



90 Degree Main Strut

- (A) - Bore Size: _____
- (B) - Shaft Angle: _____
- (C) - Fwd Drop: _____
- (D) - Aft Drop: _____
- (E) - Base Width: _____
- (F) - Base Length: _____
- (G) - Barrel Length: _____
- (H) - Offset: _____

Describe bolthole layout:
size, style, locations, quantity, etc.

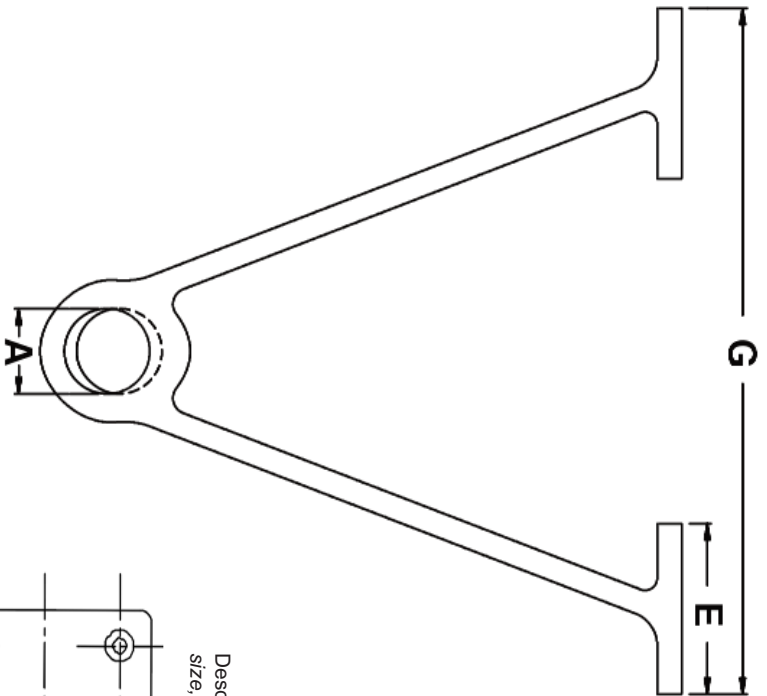
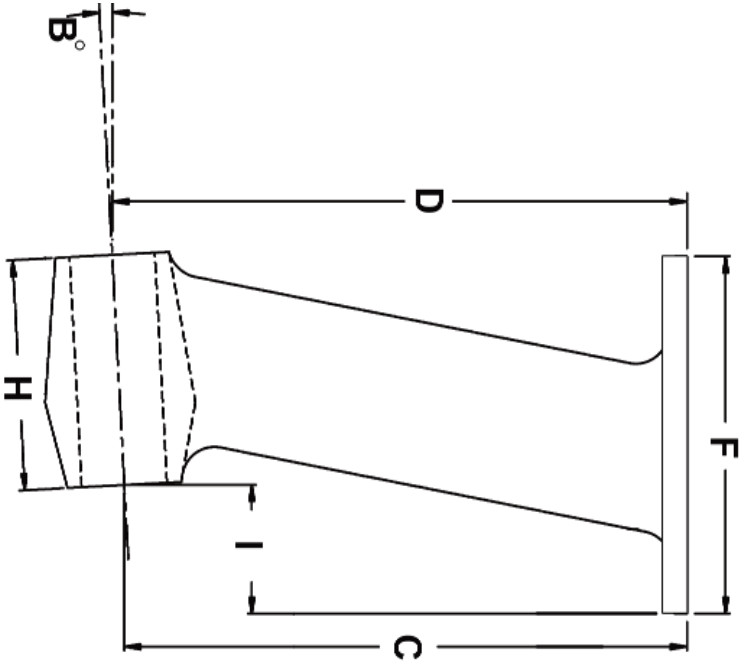


Buck Algonquin specializes in custom castings. If you would like us to quote on a special strut or you only have the dimensions of the existing strut you are trying to match please find the diagram above that would best fit your application. Fill in the blanks with the dimensions you are looking for and fax it back to us at (410) 643-7777 or simply email it to us at sales@buckalgonquin.com. We will do our best to find a strut that we currently have in stock that best matches the dimensions given or quote you on a custom strut. If you have any questions or concerns please contact our knowledgeable sales staff to help guide you through the process.

Company: _____
 Phone#: _____
 Fax#: _____
 Contact: _____
 Replacement Part? _____
 Custom Casting? _____
 Manufacturer: _____
 Year: _____
 Shaft Diameter: _____

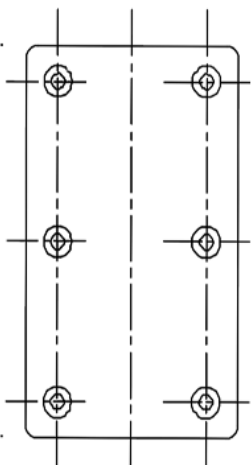
Strut Reference Diagrams

Vee Strut



- (A) - Bore Size: _____
- (B) - Shaft Angle: _____
- (C) - Fwd Drop: _____
- (D) - Aft Drop: _____
- (E) - Base Width: _____
- (F) - Base Length: _____
- (G) - Overall Base Width: _____
- (H) - Barrel Length: _____
- (I) - Offset: _____

Describe bolt-hole layout:
size, style, locations, quantity, etc.



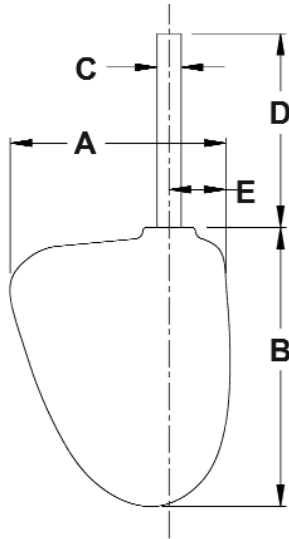
Company: _____
 Phone#: _____
 Fax#: _____
 Contact: _____
 Replacement Part? _____
 Custom Casting? _____
 Manufacturer: _____
 Year: _____
 Shaft Diameter: _____

Buck Algonquin specializes in custom castings. If you would like us to quote on a special strut or you only have the dimensions of the existing strut you are trying to match please find the diagram above and fill in the blanks with the dimensions you are looking for and fax it back to us at (410) 643-7777 or simply email it to us at sales@buckalgonquin.com. We will do our best to find a strut that we currently have in stock that best matches the dimensions given or quote you on a custom strut. If you have any questions or concerns please contact our knowledgeable sales staff to help guide you through the process.



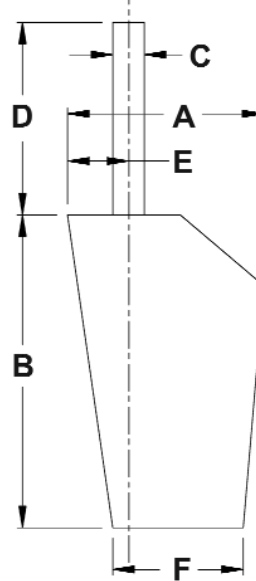
Standard Rudder

A: _____
B: _____
C: _____
D: _____
E: _____



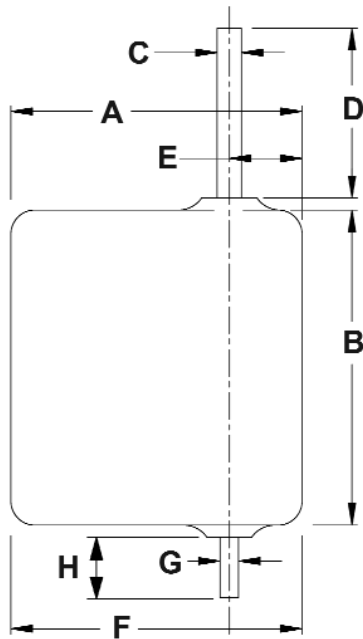
Spade Rudder

A: _____
B: _____
C: _____
D: _____
E: _____
F: _____



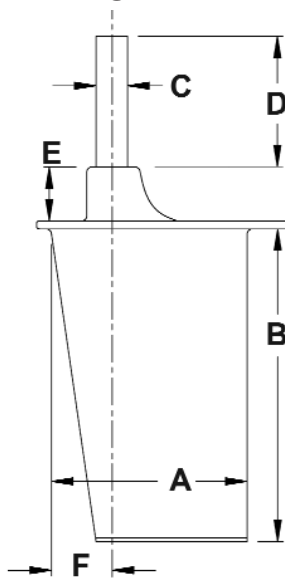
Skeg Rudder

A: _____
B: _____
C: _____
D: _____
E: _____
F: _____
G: _____
H: _____



**High Speed Rudder
w/ Flange**

A: _____
B: _____
C: _____
D: _____
E: _____
F: _____



Buck Algonquin specializes in custom castings.

If you would like us to quote on a special rudder or you only have the dimensions of the existing rudder you are trying to match please find the diagram above that would best fit your application. Fill in the blanks with the dimensions you are looking for and fax it back to us at (410) 643-7777 or simply email it to us at sales@buckalgonquin.com. We will do our best to find a rudder that we currently have in stock that best matches the dimensions given or quote you on a custom rudder. If you have any questions or concerns please contact our knowledgeable sales staff to help guide you through the process.

Company: _____

Phone#: _____

Fax#: _____

Contact: _____

Replacement Part? _____

Custom Casting? _____

Manufacturer: _____

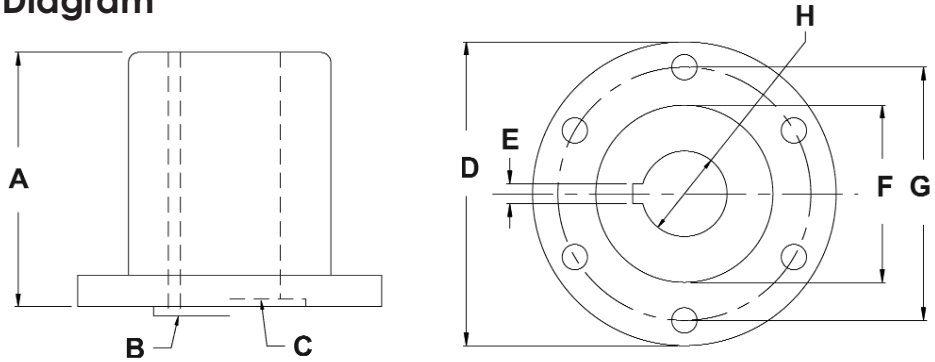
Year: _____

Reference Diagrams



Coupler Reference Diagram

- A - Overall Length
- B - Male Pilot (M type)
- C - Female Pilot (F type)
- D - Flange Diameter
- E - Keyway Width
- F - Pilot Diameter
- G - Bolt Circle Diameter
- H - Shaft Diameter



Please circle which type of coupler you are looking for below:

- Reverse Taper
- Solid Split
- Standard Taper

Company: _____

Phone#: _____

Fax#: _____

Contact: _____

Overall Length: _____

Pilot: **M or F**

Pilot Depth or Height: _____

Flange Diameter: _____

Keyway Width: _____

Pilot Diameter: _____

Bolt Circle: _____

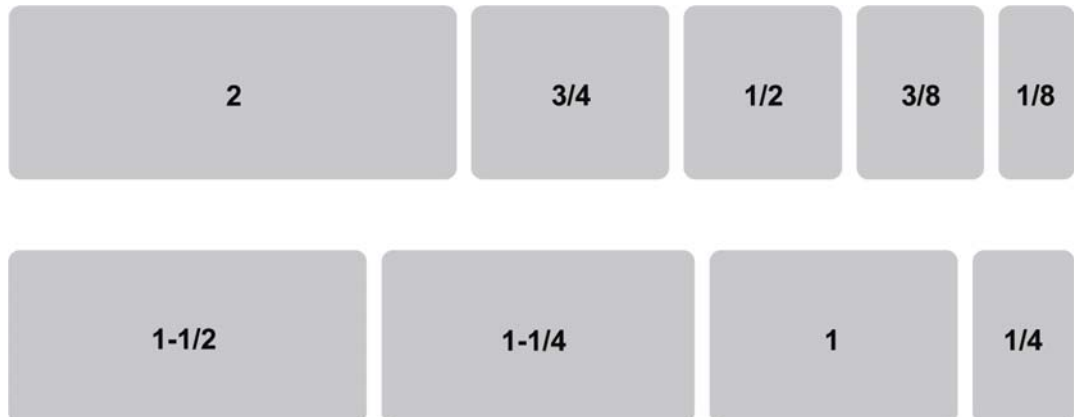
Number of Bolts: _____

Shaft Diameter: _____

Small End Taper:
(Taper Couplers Only) _____

Buck Algonquin specializes in custom castings. If you would like us to quote you on a special coupler or you only have the dimensions of the existing coupler you are trying to match please fill in the blanks with the dimensions you are looking for and fax it back to us at (410) 643-7777 or simply email it to us at sales@buckalgonquin.com. We will do our best to find a coupler that we currently have in stock that best matches the dimensions given or quote you on a custom coupler. If you have any questions or concerns please contact our knowledgeable sales staff to help guide you through the process.

Fittings Size Chart Male NPT Thread Sizes



Fraction - Decimal Conversion Chart

	<u>Inches</u>	<u>Millimeters</u>		<u>Inches</u>	<u>Millimeters</u>
$\frac{1}{32}$	$\frac{1}{64}$.015625	.3969	$\frac{17}{32}$	$\frac{33}{64}$.515625	13.0969
$\frac{1}{16}$	$\frac{3}{64}$.046875	1.1906	$\frac{9}{16}$	$\frac{35}{64}$.546875	13.8907
$\frac{3}{32}$	$\frac{5}{64}$.078125	1.9844	$\frac{19}{32}$	$\frac{37}{64}$.578125	14.6844
$\frac{1}{8}$	$\frac{7}{64}$.109375	2.7781	$\frac{5}{8}$	$\frac{39}{64}$.609375	15.4782
$\frac{3}{16}$	$\frac{9}{64}$.140625	3.5719	$\frac{21}{32}$	$\frac{41}{64}$.640625	16.2719
$\frac{1}{4}$	$\frac{11}{64}$.171875	4.3656	$\frac{11}{16}$	$\frac{43}{64}$.671875	17.0657
$\frac{5}{32}$	$\frac{13}{64}$.203125	5.1594	$\frac{23}{32}$	$\frac{45}{64}$.703125	17.8594
$\frac{3}{8}$	$\frac{15}{64}$.234375	5.9531	$\frac{13}{16}$	$\frac{47}{64}$.734375	18.6532
$\frac{7}{16}$	$\frac{17}{64}$.265625	6.7469	$\frac{3}{4}$	$\frac{49}{64}$.765625	19.4470
$\frac{1}{2}$	$\frac{19}{64}$.296875	7.5406	$\frac{25}{32}$	$\frac{51}{64}$.796875	20.2407
	$\frac{21}{64}$.328125	8.3344	$\frac{13}{16}$	$\frac{53}{64}$.828125	21.0345
	$\frac{23}{64}$.359375	9.1282	$\frac{27}{32}$	$\frac{55}{64}$.859375	21.8282
	$\frac{25}{64}$.390625	9.9219	$\frac{7}{8}$	$\frac{57}{64}$.890625	22.6220
	$\frac{27}{64}$.421875	10.7157	$\frac{29}{32}$	$\frac{59}{64}$.921875	23.4157
	$\frac{29}{64}$.453125	11.5094	$\frac{15}{16}$	$\frac{61}{64}$.953125	24.2095
	$\frac{31}{64}$.484375	12.3032	$\frac{31}{32}$	$\frac{63}{64}$.984375	25.0032
			1	1.000	25.4001

PRODUCT INDEX



Listing	Page No.	Listing	Page No.	Listing	Page No.
B		D		H (Cont.)	
Ball Valves		Deck Plates		Hose Adapters	
<i>See Valves</i>		Rope Circular	14	Hose to Hose	58
Ball, Threaded	99	Rope Oval	13	Hose to Hose Elbows	58
Bearings		Pipe	12	Menders	58,65
Brass Sleeve	26	Standard	13	Pipe to Hose	56,59,66
Non-Metalic	27	Door Stop	131	Pipe to Hose Elbows	57,66
Bearing Housings		Drain Plugs		J	
Sailboat Shaft Log	31	Flange Style	117-118	Jam Nuts	71
Stern Albin	29	Thru Hull Style	116	K	
Stern Oval Base	30			Keystock	72
Stern Rectangular Base	30			King Combination Nipples	59
Bits		E		L	
Mooring	2	Elbows		Latch, Transom Door	7
Bollard	3	Exhaust Connections	48	Lock, Wood Rail	6
Boarding Ladder Hardware	9	Exhaust Water Cooled	48		
Bollard Bitt	3	Female to Female	61	M	
Bolts,		Hose To Hose	58	Mooring Bits	2
Tran. Coup. Bolts	80	Pipe to Hose	57		
Strut	28	Street	60,62	N	
Bow Eyes	9	Sump Pump Pick -Up	67	Nipples	
Brackets		Engine Air Intake	14	Hose	56,59,66
Ladder	6			Hose Elbow	57,66
		Exhaust		King Combination	59
C		Collectors	47	Long	64
Chocks, Skene	3	Connections	48	Close	64
Clamps		Transom	46	Nuts	
Iron Double Bolt	53	Water Cooled Elbows	48	Full	71
Iron Single Bolt	53	F		Jam	71
T-Bolt	52	Fins, Ski Boat	38	O	
Worm Gear	51	Full Nuts	71	Oar Locks	
Worm Gear Miniature	51	G		Brackets	131
Cleats		Gas Tank Vents	119	Davis Style	130
Dock	3			North River	130
Euro	5	H		Ring Style	130
Open Base	4	Handle, Stern Lifting	14	Standard Style	130
Tapped	5	Hatch Lifts	6	P	
Stud	5	Hawse Pipe(s)		Packing	
Weld-On	5	Cleat Style	11	Dripless Moldable	44
Clevis(es)		Mating	10	Extractor	44
Pins	99	Standard	10	Flax	44
Standard	98-99	Triangular	11	Packing Box(es)	
w/ Eye	99	Hinges		Hose	50
Collars		Transom Door	6	Studs	38
Rudder	88	Wood Rail	6	Gland Style	32-37
Shaft	72	Hose, Packing Box	50	Spud Type	35-38
Couplers or Couplings				Stern Tube	31
<i>See Transmission Couplers</i>				Wrenches	38

Listing	Page No.	Listing	Page No.	Listing	Page No.
P (Cont.)		S (Cont.)		T (Cont.)	
Pipe Fittings		Shaft Logs		Tiller Arms	
Couplings	62	Angled	41	Dual Arm	97
Coupling Reducers	63	Offset	40	Heavy Duty	97
Crosses	62	Oval Base	42	Offset	98
Elbows	61	Rectangular Base	42	Pinch Bolt Style	96-97
Hex Bushings	63	Square Base	43	Split Head	98
Nipples, Close	64	Thru Hull Style	39	Square Head	98
Nipples, Long	64	Triangular	43	Transmission	
Plugs	65	Shafting	70	Couplers	73-77
Street Elbows	60,62	Skeg		Coupler Transmission	
Tees	62,67	Bars	87	Guide	78-79
Plugs		Bearings	87	Coupler Flange Bolts	80
"Tuff-Lite"	65	Step(s)		Coupler Flange Puller	80
Cored	65	Boarding	8	Coupler Pinch Bolts	80
Drain, Flange Styl	117-118	Covers	8	Coupler Setscrews	80
Drain, Thru Hull Style	116	Fly Bridge Ladder	8	Transom Door Latches	7
Solid	65	Strainers		V	
Propeller		Basket	102-103	Valves	
Full Nuts	71	Intake Thru Hull	109	Ball	123,125,127
Jam Nuts	71	Low Profile Basket	105	Gate	126
Knockers	72	Navy Pump	108	Inverted Vent Check	122
Shaft Kits	71	Positive Flow	106-107	Low Profile Ball	125
		Raw Water Strainer	104	Mini	127
		Rectangular Scoop	106-107	Seacock Ball Type	124
		Round	109	Swing Check	126
		Scoop	106-108	Vents	
		Skimmer	109	Check Valve	122
R		Strut(s)		Gas Tank	119
Rail Fittings	9	Bolts	28	Vented Loops	67
Rudder(s)		Adjustable	24-25	W	
Bearing Flanges	88	Intermediate	22	Wood Rail	
Collars	88	Main	18-19	Hinge	6
High Speed	85	Main Port & Star	20	Lock	6
High Speed w/ Flange	85	Sailboat	23		
Skeg	86	Skeg	23		
Spade	83	Universal	23		
Special	84	Vee	21		
Standard	82	Stuffing Boxes			
Stepped Shaft	84	See Packing Boxes or			
Rudder Port(s)		Rudder Ports			
Backing Plates	89-96	Swivel Sockets	99		
Dripless Spud	89	Swordfish Dart Set	131		
Inside Mount	89-94	T			
Outside Mount	94-96	Thru Hull(s)			
S		All Thread	114		
Scupper(s)		Drip Lip	115		
Cockpit	15	Flush Type	114		
Cockpit w/ Hose	15	Flush Type w/ Screen	114		
Plate	15	Fresh Water Washdown	119		
Setscrews	80	High Speed Pick-Up	115		
Shaft Collars	72	w/ Hose End	113		
		Step Wrenches	118		
		Tiebars	99		

A	<i>Deck Hardware</i>
B	<i>Drivetrain</i>
C	<i>Exhaust Fittings</i>
D	<i>Hose & Clamps</i>
E	<i>Plumbing Fittings</i>
F	<i>Shaft & Accessories</i>
G	<i>Steering Hardware</i>
H	<i>Strainers</i>
I	<i>Thru Hulls</i>
J	<i>Valves</i>
K	<i>Misc. Hardware</i>



BUCK ALGONQUIN CO.

DIV. OF HYDRASEARCH CO., INC.

100 Log Canoe Circle
Stevensville, MD 21666, U.S.A.

Ph. 410-643-7145 Fx. 410-643-7777
www.buckalgonquin.com