

**Valves** ..... 110 - 114

Ball valves ..... 110

Ball type seacocks.....111

Low profile ball valves ..... 112

Gate valves..... 113

Mini valves..... 113

316 stainless ball valves..... 114



## Ball Valves


**Application:**

- full flow ball valve used for water, oil or gas

**Materials:**

- valve: bronze
- ball: chrome
- handle: vinyl coated 430 stainless steel, aluminum handles for larger sizes

**Specifications:**

- 600 PSI
- failure to properly winterize may cause damage to valve

Thread Size NPT	Overall Height of Casting	Weight lbs.	Bronze Part #
1/4"	2"	0.45	<b>00BBV25FSS</b>
3/8"	2 <sup>1</sup> / <sub>16</sub> "	0.45	<b>00BBV38FSS</b>
1/2"	2 <sup>1</sup> / <sub>2</sub> "	0.65	<b>00BBV50FSS</b>
3/4"	2 <sup>3</sup> / <sub>4</sub> "	0.95	<b>00BBV75FSS</b>
1"	3 <sup>1</sup> / <sub>8</sub> "	1.50	<b>00BBV100FS</b>
1 <sup>1</sup> / <sub>4</sub> "	3 <sup>7</sup> / <sub>16</sub> "	2.30	<b>00BBV125FS</b>
1 <sup>1</sup> / <sub>2</sub> "	3 <sup>7</sup> / <sub>8</sub> "	3.10	<b>00BBV150FS</b>
2"	4 <sup>7</sup> / <sub>16</sub> "	4.95	<b>00BBV200FA</b> <sup>1</sup>
2 <sup>1</sup> / <sub>2</sub> "	5 <sup>5</sup> / <sub>8</sub> "	10.00	<b>00BBV250FA</b> <sup>1</sup>
3"	6 <sup>5</sup> / <sub>8</sub> "	16.00	<b>00BBV300FA</b> <sup>1</sup>
4"	7 <sup>1</sup> / <sub>2</sub> "	29.00	<b>00BBV400FA</b> <sup>1</sup>

<sup>1</sup> only available in a black coated aluminum handle.

### Replacement Handles

- vinyl coated stainless steel handle and nut included



Overall Handle Length	Mounting Hole Size	Use With Part #	Part #
4 <sup>3</sup> / <sub>8</sub> "	3/16" x 9/32"	00BBV25FSS	<b>BBVKIT25</b>
4 <sup>3</sup> / <sub>8</sub> "	3/16" x 9/32"	00BBV38FSS	<b>BBVKIT38</b>
4 <sup>3</sup> / <sub>8</sub> "	3/16" x 9/32"	00BBV50FSS	<b>BBVKIT50</b>
5 <sup>3</sup> / <sub>8</sub> "	1/4" x 3/8"	00BBV75FSS	<b>BBVKIT75</b>
5 <sup>3</sup> / <sub>8</sub> "	1/4" x 3/8"	00BBV100FS	<b>BBVKIT100</b>
6 <sup>3</sup> / <sub>4</sub> "	5/16" x 1/2"	00BBV125FS	<b>BBVKIT125</b>
6 <sup>3</sup> / <sub>4</sub> "	5/16" x 1/2"	00BBV150FS	<b>BBVKIT150</b>
7 <sup>1</sup> / <sub>2</sub> "	13/32" x 5/8"	00BBV200FA*	<b>BBVKIT200</b> <sup>1,2</sup>
9"	1/2" x 1/2"	00BBV250FA*	<b>BBVKIT250</b> <sup>1,2</sup>
9"	1/2" x 1/2"	00BBV300FA*	<b>BBVKIT300</b> <sup>1,2</sup>
11 <sup>1</sup> / <sub>2</sub> "	3/4" x 3/4"	00BBV400FA*	<b>BBVKIT400</b> <sup>1,2</sup>

<sup>1</sup> only available in a black coated aluminum handle

<sup>2</sup> does not come with a vinyl coated handle

## Ball Type Seacocks

### Application:

- can be used for water, oil or gas

### Materials:

- handle: vinyl coated 304 stainless steel
- ball: chrome

### Features:

- drain plug and grounding screw
- full flow
- low profile

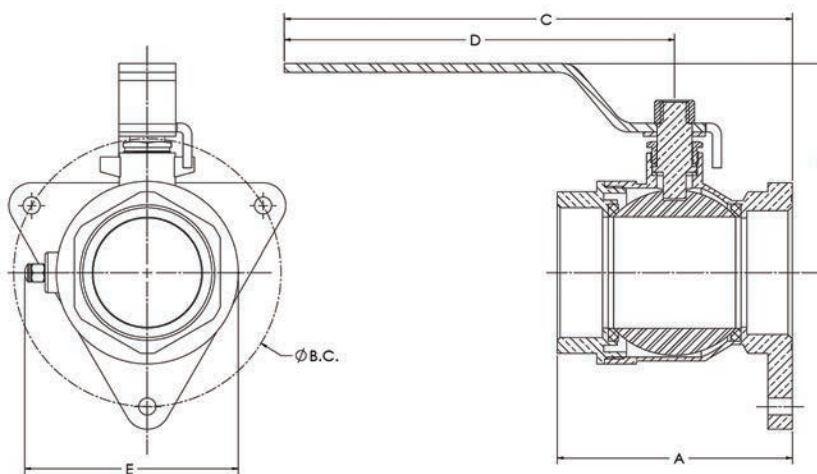
### Specifications:

- **600 PSI**
- failure to properly winterize may cause damage to valve
- failure to regularly exercise valve handle may result in valve failure

### Approval:

- UL listed (1121)

Thread Size NPT	Dimensions					Bolt Circle	Weight lbs.	Bronze Part #
	A	B	C	D	E			
3/4"	2.677	1.968	4.961	3.622	2.248	3 1/8"	1.60	<b>00BBV75LP</b>
1"	3.307	2.086	5.276	3.622	2.614	3 3/8"	2.15	<b>00BBV100LP</b>
1 1/4"	3.740	2.716	6.279	4.409	3.094	3 5/8"	4.00	<b>00BBV125LP</b>
1 1/2"	4.055	3.149	8.130	6.102	3.508	4 1/2"	5.50	<b>00BBV150LP</b>
2"	4.566	3.385	8.385	6.102	4.315	5"	10.90	<b>00BBV200LP</b>
2 1/2"	6.141	4.842	11.535	8.464	5.398	5 7/8"	11.30	<b>00BBV250LP</b>
3"	6.653	5.157	11.791	8.464	6.145	7"	19.80	<b>00BBV300LP</b>
4"	8.369	5.826	12.649	8.464	7.839	8 1/2"	34.00	<b>00BBV400LP</b>



### Replacement Handles

#### Feature:

- complete with vinyl coated stainless steel handle and nut

Overall Handle Length	Mounting Hole Size	Use With Part #	Part #
4 1/4"	3/16" x 5/16"	00ASC75LP	<b>BBVKIT75LP</b>
4 1/4"	3/16" x 5/16"	00ASC100LP	<b>BBVKIT100LP</b>
5"	5/16" x 7/16"	00ASC125LP	<b>BBVKIT125LP</b>
7"	3/8" x 1/2"	00ASC150LP	<b>BBVKIT150LP</b>
7"	1/2" x 11/16"	00ASC200LP	<b>BBVKIT200LP</b>
9 1/4"	5/8" x 5/8"	00ASC250LP	<b>BBVKIT250LP</b> <sup>1,2</sup>
9 1/4"	5/8" x 5/8"	00ASC300LP	<b>BBVKIT300LP</b> <sup>1,2</sup>
9 1/4"	5/8" x 5/8"	00ASC400LP	<b>BBVKIT400LP</b> <sup>1,2</sup>



**Low Profile Ball Valves**

Valves

**Application:**

- can be used for water, oil or gas

**Materials:**

- handle: vinyl coated 304 stainless steel
- ball: chrome

**Features:**

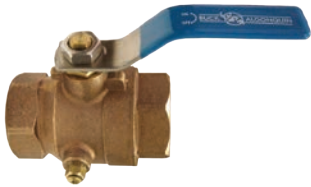
- drain plug and grounding screw
- full flow
- low profile

**Specification:**

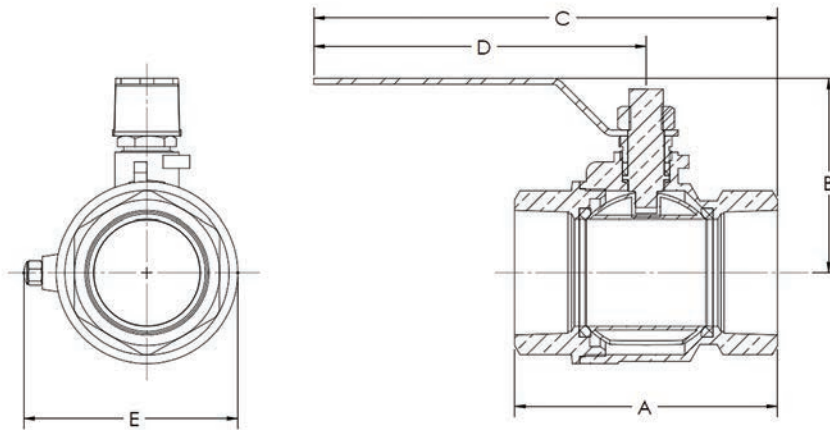
- **600 PSI**
- failure to properly winterize may cause damage to valve
- failure to regularly exercise valve handle may result in valve failure

**Approval:**

- UL listed (1121)



Thread Size NPT	Dimensions					Weight lbs.	Bronze Part #
	A	B	C	D	E		
3/8"	1.811	0.496	4.252	3.346	1.516	0.45	<b>00BBV38LP</b>
1/2"	2.377	1.732	4.811	3.622	1.972	0.70	<b>00BBV50LP</b>
3/4"	2.677	1.968	4.961	3.622	2.248	0.95	<b>00BBV75LP</b>
1"	3.307	2.086	5.276	3.622	2.614	1.60	<b>00BBV100LP</b>
1 1/4"	3.740	2.716	6.279	4.409	3.094	2.50	<b>00BBV125LP</b>
1 1/2"	4.055	3.149	8.130	6.102	3.508	3.30	<b>00BBV150LP</b>
2"	4.566	3.385	8.385	6.102	4.315	4.95	<b>00BBV200LP</b>
2 1/2"	6.141	4.842	11.535	8.464	5.398	9.50	<b>00BBV250LP</b>
3"	6.653	5.157	11.791	8.464	6.145	13.20	<b>00BBV300LP</b>
4"	8.369	5.826	12.649	8.464	7.839	18.80	<b>00BBV400LP</b>



**Replacement Handles**

**Feature:**

- complete with vinyl coated stainless steel handle and nut

Overall Handle Length	Mounting Hole Size	Use With Part #	Part #
4"	3/16" X 5/16"	00BBV38LP	<b>BBVKIT38LP</b>
4"	3/16" X 5/16"	00BBV50LP	<b>BBVKIT50LP</b>
4 1/4"	3/16" X 5/16"	00BBV75LP	<b>BBVKIT75LP</b>
4 1/4"	3/16" X 5/16"	00BBV100LP	<b>BBVKIT100LP</b>
5"	5/16" X 7/16"	00BBV125LP	<b>BBVKIT125LP</b>
7"	3/8" X 1/2"	00BBV150LP	<b>BBVKIT150LP</b>
7"	1/2" X 11/16"	00BBV200LP	<b>BBVKIT200LP</b>
9 1/4"	5/8" X 5/8"	00BBV250LP	<b>BBVKIT250LP</b> <sup>1,2</sup>
9 1/4"	5/8" X 5/8"	00BBV300LP	<b>BBVKIT300LP</b> <sup>1,2</sup>
9 1/4"	5/8" X 5/8"	00BBV400LP	<b>BBVKIT400LP</b> <sup>1,2</sup>

## Gate Valves

**Application:**

- can be used for water, oil or gas

**Materials:**

- valve: bronze
- handle: iron

**Features:**

- non-rising stem
- solid wedge disc
- threaded bonnet
- integral seat
- adjustable packing nut

**Specifications:**

- **200 PSI**
- failure to properly winterize may cause damage to valve
- failure to regularly exercise valve handle may result in valve failure

Thread Size NPT	Overall Height of Casting	Weight lbs.	Bronze Part #
3/8"	1 5/8"	0.55	<b>00GV38</b>
1/2"	1 11/16"	0.65	<b>00GV50</b>
3/4"	1 7/8"	1.00	<b>00GV75</b>
1"	2 3/16"	1.80	<b>00GV100</b>
1 1/4"	2 1/4"	2.00	<b>00GV125</b>
1 1/2"	2 7/16"	2.75	<b>00GV150</b>
2"	2 3/4"	4.00	<b>00GV200</b>
2 1/2"	3 3/4"	6.50	<b>00GV250</b>
3"	4"	9.50	<b>00GV300</b>



Valves

## Mini Valves

**Application:**

- can be used for water and gas

**Materials:**

- valve: nickle plated brass
- seats: Teflon™
- stem seal: Buna-N

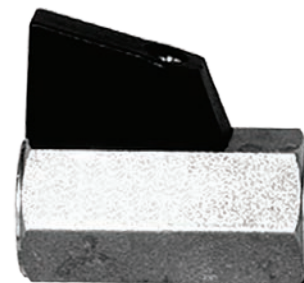
**Feature:**

- blow-out proof stem

**Specifications:**

- **150 PSI**
- temperature up to 150°F
- failure to properly winterize may cause damage to valve
- failure to regularly exercise valve handle may result in valve failure

Thread Size NPT	Overall Length of Casting	Weight lbs.	Nickle Plated Brass Part #
1/4"	1 1/16"	0.20	<b>MBV25</b>
3/8"	1 11/16"	0.20	<b>MBV38</b>
1/2"	2 3/16"	0.20	<b>MBV50</b>



316 Stainless Steel

Valves



**Application:**

- can be used for water, oil or gas

**Materials:**

- body & stem: 316 stainless steel
- seat, joint gasket & washer: Teflon™

**Feature:**

- full-flow

**Specifications:**

- **800 PSI**
- temperature range -60°F to 450°F
- failure to properly winterize may cause damage to valve
- failure to regularly exercise valve handle may result in valve failure

Thread Size NPT	Overall Height of Casting	Weight lbs.	316 Stainless Steel Part #
1/4"	2 1/8"	0.70	<b>70SSBV25</b>
3/8"	2 1/8"	0.65	<b>70SSBV38</b>
1/2"	2 1/2"	1.05	<b>70SSBV50</b>
3/4"	3"	1.30	<b>70SSBV75</b>
1"	3 1/2"	2.35	<b>70SSBV100</b>
1 1/4"	4"	3.40	<b>70SSBV125</b>
1 1/2"	4 3/8"	5.10	<b>70SSBV150</b>
2"	4 15/16"	7.50	<b>70SSBV200</b>
2 1/2"	6 3/8"	15.00	<b>70SSBV250</b>
3"	7"	28.00	<b>70SSBV300</b>

