

Drivetrain 18 to 41

Struts

Main 18-19

Intermediate 18

Sailboat 19

Port and starboard 20

Vee 21

Universal 21

Adjustable 22-23

 Cut off type 22

 Swivel type 23

Strut bolts 24

Naval brass sleeve bearings 25

Stern bearing housings..... 26

 Oval flange 26

 Rectangular flange 26

Sailboat shaft logs 26

Albin stern bearing housings 27

 Oval flange 27

 Oval flange with tube 27

 Flange type

 Tournament 28

Stern tube packing boxes 29

Self-aligning gland type (with space) 30

 Heavy duty 30

Studs..... 31

 Tournament (with space) 32

Self-aligning gland type (without space) 32

Spud type

 Tournament water cooled 33

 Right hand thread..... 35

Shaft logs..... 36-40

 Thru hull style..... 36

 Offset style 37

 Angled style 38

 Oval base..... 39

 Rectangular base..... 39

 Square base..... 40

 Triangular base 40

Ski boat fins 40

Wrenches 41

Packing accessories..... 41

 Flax packing..... 41

 Dripless moldable packing 41

 Packing extractors 41



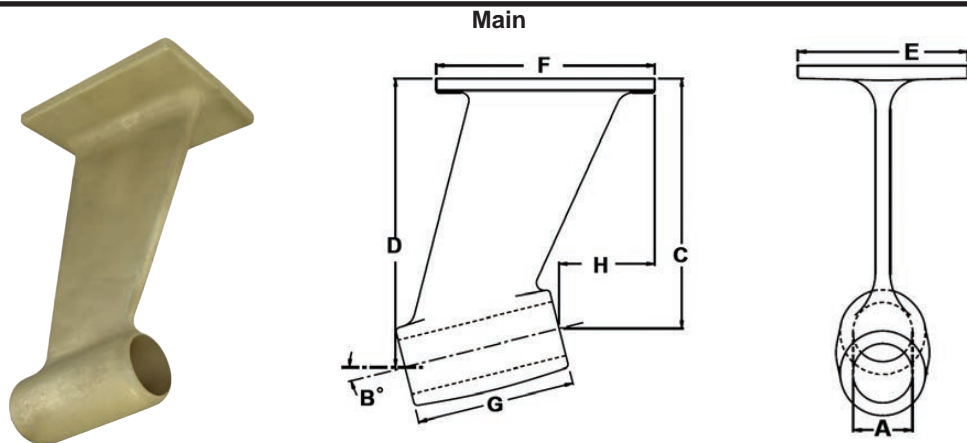
In order to ensure proper function of products, it is strongly recommended that each part is inspected and serviced monthly. Inspection should include, but not be limited to, visible damage,excessive wear,and proper bonding. Failure to properly maintain your product may result in catastrophic failure and/or loss of life.

Struts

Features:

- all struts come bored (shaft bearings and baseholes can be installed upon request) to accept a shaft bearing with set screws installed
- We also specialize in custom castings. If you can't find the strut you are looking for please find the reference drawings in the back of this catalog, fill in the blanks, and send it back to us by email or fax. We will find a strut that best fits your application or quote you on a custom casting.

Drivetrain



Dimensions								Original OEM	Cast Number	Weight lbs.	Bronze Part #
Bore Size (A)	Shaft Ang. (B Deg.)	Fwd. Drop (C)	Aft. Drop (D)	Base Width (E)	Base Length (F)	Barrel Length (G)	Offset (H)				
1 1/4"	12°	5 1/16"	6 3/32"	3 3/8"	5 3/4"	5"	1 5/16"	FORESBURG	16FT	5.00	MS1 125
2"	12°	7 3/4"	8 3/4"	4 5/8"	6 1/4"	5"	1 23/32"	ALGONQUIN	A-125	11.00	MS2 200
2"	21°	5 1/4"	7 1/16"	4 7/8"	6"	4 7/8"	0"	ALGONQUIN	A-113, 1236 33FT	11.00	MS4 200
2"	11°	8 31/32"	9 15/16"	7"	7"	5"	7"	WHEELER	#258	19.00	MS5 200
2 3/8"	10 1/2°	10 3/4"	11 25/32"	7 3/4"	8 1/4"	5 5/8"	4 3/32"	WHEELER	#175	29.00	MS6 2375
1 1/2"	12°	6 15/16"	7 15/16"	4"	6"	4 3/4"	5/8"	PETERSON BOAT	38FT	8.00	MS8 150
1 1/2"	19°	5 5/8"	6 29/32"	3 1/4"	5 1/2"	4"	3 3/32"	CRESTLINER	N/A	7.00	MS10 150
2"	14°	6 7/16"	7 5/8"	5"	6"	5"	1 9/16"	JEFFERSON/ALRIO	4/74	9.00	MS10X200BH
2"	15°	7 7/16"	8 11/16"	5"	6"	5"	1 11/16"	JEFFERSON/ALRIO	N/A	10.00	MS10XL200B
2"	14°	8 13/32"	9 19/32"	5"	6"	5"	1 3/4"	N/A	N/A	11.00	MS10XLW200
1 1/2"	11 1/2°	6 21/32"	7 1/16"	3 5/16"	5 5/8"	4"	2 1/4"	REVEL-CRAFT	N/A	7.00	MS14 150
2"	13°	9 9/16"	10 3/4"	5 3/4"	7"	5 1/4"	-1/16"	GREENWHICH MAIN	N/A	22.00	MS15 200
2 3/8"	13°	9 7/32"	10 25/32"	5 3/4"	7"	7"	-1 3/4"	N/A	N/A	19.00	MS15 2375
2"	23°	7 7/8"	9 25/32"	6 1/4"	9 1/4"	4 7/8"	2 7/8"	PETERSON BOAT	38FT	18.00	MS16 200
1 1/2"	15°	9 9/16"	10 7/8"	5 3/4"	8"	5"	6 11/16"	SOUTH HAMPTON	31FT BAHU	15.00	MS19 150
1 1/2"	16 1/2°	7 1/2"	8 21/32"	4 7/8"	8"	5"	2 5/8"	EGG HARBOR	30FT	14.00	MS20 150
1 3/4"	14 1/2°	8 23/32"	10 1/16"	5"	6 5/8"	5"	1 13/16"	PACEMAKER	AL-30-S 175	13.00	MS21 175
1 1/2"	15°	6 1/2"	7 9/16"	3 1/2"	6"	4"	2 1/2"	REVEL-CRAFT	6227	7.00	MS22 150
2 3/8"	11°	12 1/8"	13 7/16"	6"	8 1/2"	7"	1 7/8"	N/A	N/A	22.00	MS23 2375
1 5/8"	19°	5 3/4"	7 3/32"	4"	7"	4"	3 3/16"	ALGLASS	24T65	8.00	MS27 1625
1 3/4"	14°	9 31/32"	11 7/32"	5"	8"	5"	3 3/16"	PACEMAKER	34T66	12.00	MS28 175
1 1/2"	16 1/2°	8 5/16"	9 13/16"	5"	7"	5"	2 5/8"	NAUTALINE	N/A	13.00	MS29 150
1 1/2"	17 1/2°	6 15/16"	8 5/32"	5"	7 1/2"	4"	2 9/16"	N/A	N/A	10.00	MS30150 BH
1 3/4"	17 1/2°	8 11/32"	9 27/32"	5"	8"	5"	3 5/16"	SPLENDOR CRAFT	N/A	13.00	MS31 175

Struts

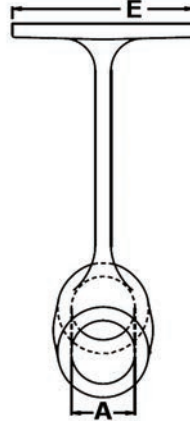
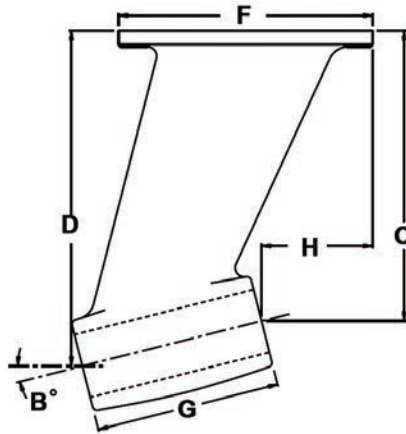
Intermediate - Half Size



Dimensions							Original OEM	Cast Number	Weight lbs.	Bronze Part #
Bore Size (A)	Shaft Ang. (B Deg.)	Fwd. Drop (C)	Aft. Drop (D)	Base Width (E)	Base Length (F)	Barrel Length (G)				
2"	9 1/2°	1 5/8"	2 1/8"	2 5/8"	5 7/8"	2 5/8"	OCEAN YACHT	N/A	4.00	IS1X 200
1 3/4"	11°	2 1/4"	2 23/32"	3 3/8"	2 7/8"	2 1/2"	OCEAN YACHT	N/A	4.00	IS2X 175
2 3/8"	12°	2 5/8"	3 3/16"	3 1/4"	4"	2 3/4"	OCEAN YACHT	N/A	6.00	IS3X 2375
2"	14°	1 5/8"	2 7/32"	4 5/8"	3 1/8"	2 7/16"	PACEMAKER	36FT 1972-36-72	3.00	IS7X 200

Struts

Main



Dimensions								Original OEM	Cast Number	Weight lbs.	Bronze Part #
Bore Size (A)	Shaft Ang. (B Deg.)	Fwd. Drop (C)	Aft. Drop (D)	Base Width (E)	Base Length (F)	Barrel Length (G)	Offset (H)				
2"	10°	11 ⁷ / ₁₆ "	12 ¹⁵ / ₁₆ "	6 ¹ / ₂ "	8"	5"	5 ⁵ / ₁₆ "	PACEMAKER	36-72 DCFB	20.00	MS32 200
2 ³ / ₈ "	8 ¹ / ₂ °	12 ²¹ / ₃₂ "	13 ¹⁷ / ₃₂ "	8"	9"	6"	6 ⁷ / ₈ "	OCEAN YACHTS	40FT SF	40.00	MS33 2375BH
2"	12°	10 ²⁹ / ₃₂ "	12 ³ / ₆₄ "	6"	8"	5 ¹ / ₂ "	5 ¹ / ₈ "	PACEMAKER	36-SF or ST-72 or EH-36	20.00	MS34 200BH
2"	11°	8 ³ / ₄ "	9 ¹³ / ₁₆ "	5"	6 ⁷ / ₈ "	5 ¹ / ₂ "	9 ⁹ / ₁₆ "	EGG HARBOR	33FT	15.00	MS39 200
2 ³ / ₈ "	14°	10 ³¹ / ₃₂ "	12 ¹¹ / ₃₂ "	7 ³ / ₄ "	8 ¹ / ₄ "	5 ¹¹ / ₁₆ "	4 ³ / ₈ "	SEA HAWK	N/A	33.00	MS42 2375
2"	15 ¹ / ₂ °	8 ⁹ / ₁₆ "	9 ¹⁵ / ₁₆ "	5 ¹ / ₄ "	10 ¹ / ₈ "	5"	5 ⁵ / ₈ "	N/A	N/A	17.00	MS43 2000
1 ³ / ₄ "	14°	7 ²³ / ₃₂ "	9 ¹ / ₈ "	5"	6 ⁷ / ₈ "	5"	3"	WELLCRAFT	WE14201882	20.00	MS50 175
2 ³ / ₈ "	13°	12 ¹⁵ / ₁₆ "	13 ²⁹ / ₃₂ "	7 ³ / ₈ "	9"	7"	4"	WELLCRAFT	WE14202404 (40FT)	39.00	MS51 2375
1 ³ / ₄ "	19°	8"	9 ²³ / ₃₂ "	4 ¹ / ₂ "	8"	5 ¹ / ₂ "	4 ³ / ₁₆ "	TOPAZ	TP24FTMAIN	15.00	MS53 175
2 ⁵ / ₈ "	15°	12"	13 ¹³ / ₁₆ "	6 ¹ / ₂ "	10 ¹ / ₄ "	7 ¹ / ₈ "	3 ¹ / ₂ "	SABRE	SLSA36	41.00	MS54 2625
1 ⁵ / ₈ "	16 ¹ / ₂ °	7 ³ / ₈ "	9 ³ / ₁₆ "	3 ⁷ / ₈ "	6 ¹ / ₂ "	4 ¹ / ₂ "	3 ³ / ₈ "	NAVSTAR-TARTAN	NS372	10.00	MS56 1625
1 ⁵ / ₈ "	18 ¹ / ₂ °	7 ¹ / ₈ "	8 ⁷ / ₁₆ "	3 ⁷ / ₈ "	5 ¹ / ₂ "	4 ¹ / ₈ "	-1"	NAVSTAR-TARTAN	NS846	14.00	MS57 1625
1 ¹ / ₄ "	15°	6 ¹¹ / ₁₆ "	7 ³ / ₄ "	3 ¹ / ₂ "	6"	4"	3 ¹ / ₈ "	TROJAN	13051	6.00	MS59 125
1 ¹ / ₄ "	16°	6 ³ / ₈ "	7 ¹⁷ / ₃₂ "	3 ¹ / ₂ "	6"	4 ¹ / ₈ "	3 ¹ / ₈ "	TROJAN	13057	6.00	MS61 125
1 ¹ / ₄ "	15 ¹ / ₂ °	7 ⁹ / ₁₆ "	8 ¹⁵ / ₁₆ "	4"	6"	4"	2 ³ / ₄ "	TROJAN	13063	7.00	MS62 125
1 ³ / ₄ "	11 ¹ / ₂ °	8 ¹⁵ / ₆₄ "	9 ⁷ / ₁₆ "	4 ¹ / ₂ "	8"	5"	4 ¹³ / ₁₆ "	N/A	N/A	13.00	MS63 175
2 ³ / ₈ "	12°	3 ³ / ₄ "	5 ¹ / ₃₂ "	4 ¹ / ₄ "	6 ¹ / ₈ "	6"	-1 ¹ / ₁₆ "	EGG HARBOR	35FT INT	10.00	MS67 2375
1 ³ / ₄ "	14 ¹ / ₂ °	10 ¹ / ₁₆ "	11 ⁵ / ₁₆ "	5 ³ / ₄ "	11 ¹ / ₂ "	5"	8 ⁹ / ₃₂ "	SILVERTON	SMS3033-3	21.00	MS74 175
1 ³ / ₄ "	14 ¹ / ₂ °	9 ⁷ / ₃₂ "	10 ¹⁵ / ₃₂ "	5 ³ / ₄ "	11 ¹ / ₂ "	5"	8 ⁹ / ₃₂ "	SILVERTON	SMS30-33	15.00	MS75 175
2"	15°	9 ¹⁷ / ₃₂ "	10 ²⁷ / ₃₂ "	6"	8"	5"	5 ²⁹ / ₃₂ "	OCEAN YACHTS	OCMS24	22.00	MS76 200

Struts

Sailboat

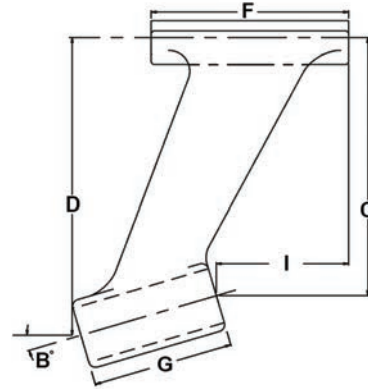
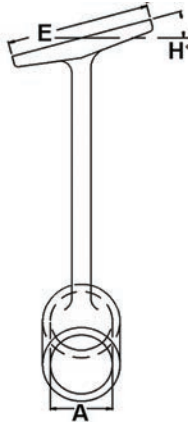
Dimensions								Weight lbs.	Bronze Part #
Bore Size (A)	Shaft Ang. (B Deg.)	Fwd. Drop (C)	Aft. Drop (D)	Base Width (E)	Base Length (F)	Barrel Length (G)	Offset (H)		
1 ¹ / ₄ "	12°	5 ⁷ / ₈ "	6 ¹¹ / ₁₆ "	3 ³ / ₈ "	5 ¹ / ₄ "	4"	1 ¹³ / ₁₆ "	4.30	MSS1 125
1 ¹ / ₄ "	18°	4 ⁷ / ₈ "	6 ¹ / ₈ "	3 ¹ / ₂ "	5 ¹ / ₂ "	4"	3"	4.00	MSS2 125
1 ¹ / ₄ "	18 ¹ / ₂ °	4 ³ / ₄ "	6 ¹ / ₃₂ "	3 ³ / ₄ "	6 ¹ / ₂ "	4"	2 ¹¹ / ₁₆ "	4.00	MSS3 125
1 ¹ / ₄ "	20°	6 ³ / ₈ "	7 ³ / ₄ "	4 ¹ / ₈ "	5 ⁵ / ₈ "	4"	2 ¹ / ₄ "	8.00	MSS4 125



Struts

Port and Starboard Struts

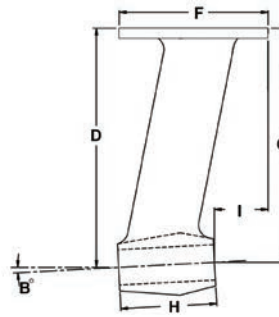
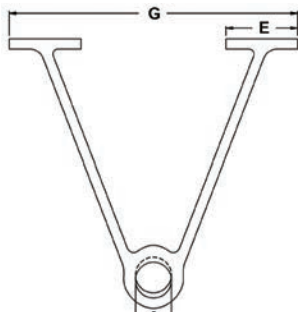
Drivetrain



Dimensions									Original OEM	Cast Number	Weight lbs.	Port Side Bronze Part #	Starboard Side Bronze Part #
Bore Size (A)	Shaft Ang. (B Deg.)	Fwd. Drop (C)	Aft. Drop (D)	Base Width (E)	Base Length (F)	Barrel Length (G)	Base Ang. (H Deg.)	Offset (I)					
1 3/4"	14°	8 17/32"	10"	5"	6 3/4"	5"	6 1/4°	1 3/16"	PACEMAKER	AL-30 P&S, 32FT PACE	11.00	MS1P&SPORT	MS1P&SSTAR
2"	16°	9 5/32"	10 9/16"	4 5/8"	7"	5"	15°	4 11/16"	WELLCRAFT	WE14202501 /2510	14.00	MS4P&SPORT	MS4P&SSTAR
2 3/8"	11 1/2°	11 7/32"	12 5/16"	6"	8"	5 1/2"	12°	7/8"	CONCORDE	133-1001-P&S	22.00	MS5P&SPORT	MS5P&SSTAR
1 3/4"	14°	8 1/2"	9 3/4"	5"	7"	5 1/8"	16°	3"	WELLCRAFT	WE14201858 /1866	17.00	MS8P&SPORT	MS8P&SSTAR
2 3/8"	16°	9 3/4"	12"	6"	11"	8 1/4"	18°	4 1/2"	TOPAZ	TO32FT	35.00	MS15P&SPOR	MS15P&SSTA
2 5/8"	15°	10 11/16"	12 7/8"	5 7/8"	11"	8 1/4"	14°	4 1/4"	TOPAZ	TC36FT	33.00	MS16P&SPOR	MS16P&SSTA
2 5/8"	10 1/2°	14 7/16"	16 3/32"	7"	12"	9"	16 1/2°	4 15/16"	TOPAZ	TO44FT	69.00	MS17P&SPOR	MS17P&SSTA
2 3/8"	14 1/2°	9 31/32"	11 5/8"	5"	9"	6 9/16"	16 1/2°	3 7/16"	TOPAZ	TP29TM	23.00	MS18P&SPOR	MS18P&SSTA
3"	13°	11 5/8"	13 19/32"	7"	12 1/4"	8 3/4"	13°	4 1/2"	TOPAZ	TP39FT	48.00	MS19P&SPOR	MS19P&SSTA
2"	13°	8 11/32"	9 5/8"	4 7/8"	9"	5 5/8"	17°	4 3/8"	TOPAZ	TPPS29	14.00	MS20P&SPOR	MS20P&SSTA
3 3/8"	11°	14 7/8"	17 1/16"	7"	12 3/16"	11"	16 1/2°	5 13/16"	TOPAZ	TP 50 FT	82.00	MS22P&SPOR	MS22P&SSTA
1 1/2"	14°	8 5/16"	9 17/32"	6"	6 3/4"	5"	5°	3 13/16"	WELLCRAFT	WE14201823 /1815	12.00	MS27P&SPOR	MS27P&SSTA
2"	14°	9 3/8"	10 7/8"	6"	9"	6 1/4"	15°	4 13/16"	WELLCRAFT	WE142315 /305	26.00	MS28P&SPOR	MS28P&SSTA
1 1/2"	14°	7 3/4"	8 23/32"	4 1/2"	5 9/16"	4"	17°	2 13/16"	WELLCRAFT	WE14201751 /831	8.00	MS29P&SPOR	MS29P&SSTA

Struts

Vee Struts

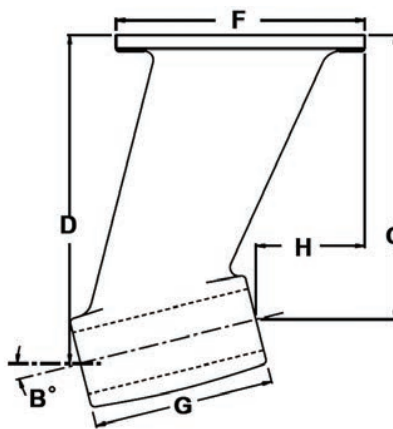
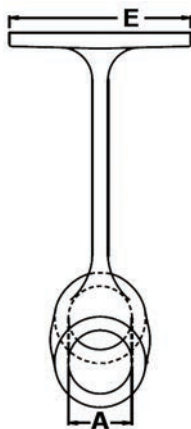


Drivetrain

Bore Size (A)	Shaft Ang. (B Deg.)	Fwd. Drop (C)	Dimensions						Weight lbs.	Bronze Part #
			Aft. Drop (D)	Base Width (E)	Base Length (F)	Outside Pads (G)	Barrel Length (H)	Offset (I)		
2"	12°	9"	10¼"	3½"	7 ⁵ / ₈ "	13¼"	6"	1 ⁵ / ₈ "	32.00	VS1 200
2 ⁵ / ₈ "	6½°	12 ⁵ / ₁₆ "	13¼"	4½"	8"	21"	8"	¼"	53.00	VS4 2375
3 ¹ / ₈ "	6°	16 ⁵ / ₃₂ "	17 ⁵ / ₃₂ "	6"	10"	24½"	10"	3 ¹ / ₁₆ "	80.00	VS9 3125
2"	14½°	10¾"	12¼"	3"	8 ⁵ / ₈ "	17 ¹ / ₈ "	6"	2 ¹ / ₈ "	40.00	VS16 200
2 ⁵ / ₈ "	14½°	10¾"	12¼"	3"	8 ⁵ / ₈ "	17 ¹ / ₈ "	6"	2 ¹ / ₈ "	40.00	VS16 2625
2 ³ / ₈ "	12½°	11 ⁵ / ₈ "	13 ³ / ₈ "	5"	8"	20¾"	7"	2 ¹¹ / ₁₆ "	48.00	VS17 2375
3"	13°	12½"	14 ¹ / ₈ "	5 ¹ / ₈ "	8"	21"	7"	2 ¹¹ / ₁₆ "	58.00	VS17X 300
2"	13°	11 ⁵ / ₃₂ "	12 ⁹ / ₃₂ "	2"	6 ⁷ / ₁₆ "	19¼"	5"	2 ¹ / ₁₆ "	15.00	VS36 200
2 ⁵ / ₈ "	11°	12 ¹¹ / ₃₂ "	13¾"	2"	10"	17 ¹ / ₈ "	7"	3 ⁹ / ₁₆ "	35.00	VS39 2625

Struts

Universal Sailboat Struts



Bore Size	Shaft Angle Degree	Barrel Length	Web Width	Overall Length	Weight lbs.	Bronze Part #
1¼"	16°	4 ¹ / ₈ "	3½"	16"	10.00	MSSU1125BO
1½"	16°	4 ¹ / ₈ "	3½"	16"	10.00	MSSU1150BO

Struts

Adjustable Cut Off Type

Drivetrain



AS3 200

Bore Size	Max Drop	Base Width	Base Length	Barrel Length	Weight lbs.	Bronze Part #
2"	13¾"	5"	6"	5"	5.00	AS3 200



AS4 200

Bore Size	Max Drop	Base Width	Base Length	Barrel Length	Weight lbs.	Bronze Part #
2"	13¾"	5"	6"	6"	20.00	AS4 200



AS5 150

Bore Size	Max Drop	Base Width	Base Length	Barrel Length	Weight lbs.	Bronze Part #
1½"	7"	3¼"	5 ⁷ / ₁₆ "	5"	9.00	AS5 150

Replacement Parts

Used on Part #	Base Part #	Barrel Part #	Foot Part #
AS3 200	AS3 BASE	AS3BARR 200	---
AS3X 200		---	---
AS4 200		AS4BARR 150	AS4 FOOT
AS5 150	AS5 BASE	AS5BARR 150	---

Struts

Adjustable Swivel Type

Bore Size	Max Drop	Base Width	Base Length	Barrel Length	Weight lbs.	Bronze Part #
1½"	5⅝"	3"	5½"	4"	6.00	AS1 150
1¾"	5⅝"	3"	5½"	4"	6.00	AS1 175
1½"	7 ³ / ₁₆ "	3½"	6½"	5"	11.00	AS2 150
1¾"	7 ³ / ₁₆ "	3½"	6½"	5"	11.00	AS2 175
1½"	9⅜"	3½"	6½"	5"	12.00	AS2X 150
1¾"	9⅜"	3½"	6½"	5"	12.00	AS2X 175



Replacement Bases

Used on Part #	Part #
AS1 150, AS1 175	AS1 BASE
AS2 150, AS2 175, AS2X 150, AS2X 175	AS2 BASE

Replacement Barrels

Used with Part #	Part #
AS1 150	AS1BARR 150
AS1 175	AS1BARR 175
AS2 150	AS2BARR 150
AS2 175	AS2BARR 175
AS2X 150	AS2XBARR 150
AS2X 175	AS2XBARR 175

Strut Bolts

Carriage

Drivetrain



Thread Size	Length Under Head	Bronze Part #
5/16"-18	5"	CAR031X550CB
3/8"-16	5 1/2"	CAR037X550CB
1/2"-13	5 1/2"	CAR050X550CB
5/8"-11	5 1/2"	CAR062X550CB

Flat Head Hex Socket



Thread Size	Length Under Head	Bronze Part #
5/16"-18	5 1/2"	FLHD031X550SH
3/8"-16	5 1/2"	FLHD037X550SH
1/2"-13	5 1/2"	FLHD050X550SH
5/8"-11	5 1/2"	FLHD062X550SH

Oval Head Slotted



Thread Size	Length Under Head	Bronze Part #
5/16"-18	5 1/2"	OVHD031X550OH
3/8"-16	5 1/2"	OVHD037X550OH
1/2"-13	5 1/2"	OVHD050X550OH
5/8"-11	5 1/2"	OVHD062X550OH

Hex Nuts

- lock nuts are available upon request



Thread Size	Bronze Part #
5/16"-18	HEXNUT031
3/8"-16	HEXNUT375
1/2"-13	HEXNUT050
5/8"-11	HEXNUT625

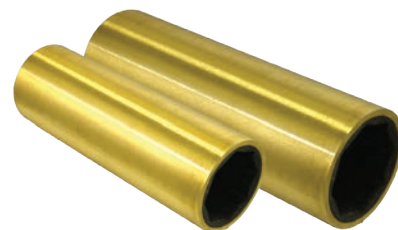
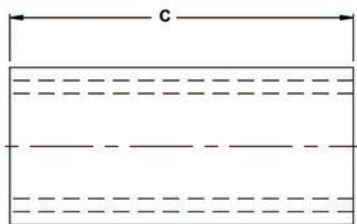
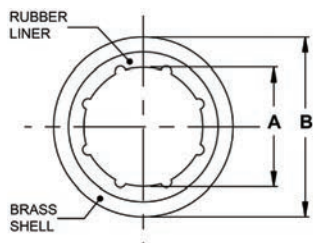
Flat Washers

- lock nuts are available upon request



Thread Size	Bronze Part #
5/16"	FLATWASHER031
3/8"	FLATWASHER375
1/2"	FLATWASHER050
5/8"	FLATWASHER625

Naval Brass Sleeve Bearings



Drivetrain

Features:

- for struts or stern tubes
- shaft bearings can be installed upon request
- for sizes not shown or for metric and flanged bearings please contact Hydrasearch at 410-643-7145

Dimensions			Weight lbs.	Duramax™ Part #	Trellex Morse™ Part #
I.D. (A)	O.D. (B)	Length (C)			
3/4"	1 1/4"	3"	0.50	ABLE	ALBACORE
7/8"	1 1/4"	3 1/2"	0.40	ACID	BLENNY
	1 3/8"	3 1/2"	0.70	APEX	BARRACUDA
	1 1/2"	3 1/2"	0.80	ATOM	BASS
1"	1 1/4"	3"	0.40	BACK	BETTA
	1 1/4"	4"	0.60	BADE	BLACKFISH
	1 3/8"	4"	0.50	BAIT	BLOATER
	1 1/2"	4"	0.70	BALE	BONITO
	1 5/8"	4"	0.90	BAND	BROADBILL
	2"	4"	1.30	BASE	BULLHEAD
1 1/8"	1 1/2"	4 1/2"	0.60	BEAM	CAMA
	1 5/8"	4 1/2"	1.00	BELT	CARP
	1 3/4"	4 1/2"	1.10	BEND	CATFISH
	2"	4 1/2"	1.40	BILL	CHOBIE
1 1/4"	1 1/2"	5"	0.60	BIND	CHOGSET
	1 3/4"	5"	1.20	BIRD	CHUB
	2"	5"	1.50	BITE	COD
	2 1/8"	5"	1.70	BLOW	CROAKER
1 3/8"	1 7/8"	5 1/2"	1.40	BOAT	DEVILFISH
	2"	5 1/2"	1.50	BOLD	DOGFISH
	2 1/8"	5 1/2"	1.80	BOND	DOLPHIN
	2 3/8"	5 1/2"	1.80	BOOT	EEL
1 1/2"	2"	4 3/8"	1.50	N/A	FLAMEN
	2"	6"	1.60	BOSS	FLATFISH
	2 3/8"	6"	2.20	BRAD	FLOUNDER
1 5/8"	2 1/8"	6 1/2"	2.00	BREW	GAR
	2 5/8"	6 1/2"	2.60	BRIM	GRAYBACK
1 3/4"	2 3/8"	7"	2.30	BROW	GROUPE
	2 5/8"	7"	2.80	BUCK	HADDO
1 7/8"	2 5/8"	7 1/2"	2.80	BULB	HAKE
	2 15/16"	7 1/2"	3.10	BULL	HALIBUT

Dimensions			Weight lbs.	Duramax™ Part #	Trellex Morse™ Part #
I.D. (A)	O.D. (B)	Length (C)			
2"	2 5/8"	8"	2.80	CALL	HERRING
	3"	8"	3.80	CALM	KINGFISH
2 1/8"	2 15/16"	8 1/2"	3.10	CAME	MACKEREL
	3 1/8"	8 1/2"	4.10	CAPE	MANTA
2 1/4"	2 15/16"	9"	3.10	CARE	MARLIN
	3 1/8"	9"	4.30	CART	MINNOW
	3 3/8"	9"	5.10	CASE	MUDFISH
2 3/8"	3 3/8"	9 1/2"	4.80	COOK	MULLET
2 1/2"	3 1/8"	10"	4.50	CORD	MUSKY
	3 3/8"	10"	5.10	CORN	PERCH
2 5/8"	3 3/8"	10 1/2"	5.20	CRAB	PICKEREL
2 3/4"	3 3/8"	11"	4.80	CROW	PICUDA
	3 3/4"	11"	6.60	CURD	PINFISH
2 7/8"	3 3/4"	11 1/2"	6.50	CURE	PORGY
3"	3 3/4"	12"	6.80	DANE	RAY
	4"	12"	7.70	DARE	REDFIN
3 1/8"	4 1/4"	12 1/2"	8.60	DARK	REDFISH
3 1/4"	4"	13"	7.80	DARN	ROCKFISH
	4 1/4"	13"	8.70	DELL	SAILFISH
3 3/8"	4 1/2"	13 1/2"	10.20	DIKE	SALMON
3 1/2"	4 1/4"	14"	8.90	DINE	SANDFISH
	4 1/2"	14"	10.30	DOCK	SAWFISH
3 5/8"	4 1/2"	14 1/2"	10.00	DOLE	SCULPIN
3 3/4"	4 1/2"	15"	9.60	DONE	SHAD
	5"	15"	16.50	DOVE	SHARK
	5 1/4"	15"	18.20	DRAW	SILVERFISH
3 7/8"	5 1/4"	15 1/2"	18.70	DULL	SMELT
4"	5"	16"	16.90	EARN	SNAPPER
	5 1/4"	16"	18.70	EASE	SOCKEYE

Oval Flange

Drivetrain



Features:

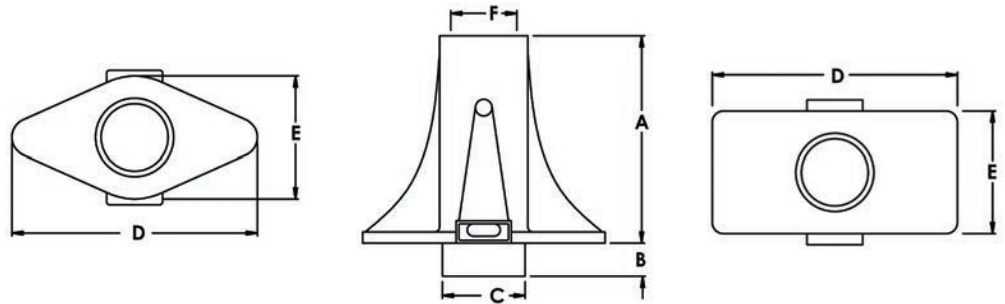
- all housings come bored (shaft bearings and flange holes can be installed upon request) to accept a shaft bearing and are internally threaded
- come complete with two setscrews

Shaft Size	Dimensions						NPSM Thread Size	Weight lbs.	Bronze Part #
	A	B	C	D	E	F			
7/8"	4"	1/2"	1 ¹⁵ / ₁₆ "	7 ³ / ₄ "	2 ³ / ₈ "	1 ¹ / ₂ "	1 ¹ / ₄ "-11 ¹ / ₂ "	2.40	00STBO88
1"	4 ⁹ / ₁₆ "	1/2"	2"	5"	2 ³ / ₈ "	1 ⁵ / ₈ "	1 ¹ / ₄ "-11 ¹ / ₂ "	3.50	00STBO100
1 ¹ / ₈ "	4 ⁹ / ₁₆ "	1/2"	2"	5"	2 ³ / ₈ "	1 ⁵ / ₈ "	1 ¹ / ₄ "-11 ¹ / ₂ "	3.50	00STBO113
1 ¹ / ₄ "	5 ⁵ / ₈ "	7/8"	2 ³ / ₈ "	6"	3"	2"	1 ¹ / ₂ "-11 ¹ / ₂ "	5.00	00STBO125
1 ³ / ₈ "	5 ⁵ / ₈ "	7/8"	2 ³ / ₈ "	6"	3"	2"	1 ¹ / ₂ "-11 ¹ / ₂ "	5.00	00STBO138
1 ¹ / ₂ "	5 ⁵ / ₈ "	7/8"	2 ³ / ₈ "	6"	3"	2"	1 ¹ / ₂ "-11 ¹ / ₂ "	5.00	00STBO150

Rectangular Flange

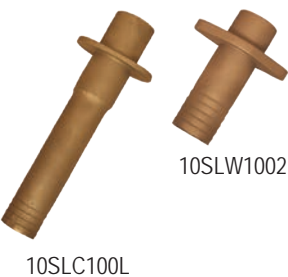
Features:

- all housings come bored (shaft bearings and flange holes can be installed upon request) to accept a shaft bearing and are internally threaded
- come complete with two setscrews



Shaft Size	Dimensions						NPSM Thread Size	Weight lbs.	Bronze Part #
	A	B	C	D	E	F			
1 ³ / ₈ "	6 ⁷ / ₈ "	1"	2 ⁷ / ₈ "	7"	3 ¹ / ₂ "	2 ³ / ₈ "	2"-11 ¹ / ₂ "	12.50	00STBR138
1 ¹ / ₂ "	6 ⁷ / ₈ "	1"	2 ⁷ / ₈ "	7"	3 ¹ / ₂ "	2 ³ / ₈ "	2"-11 ¹ / ₂ "	12.50	00STBR150
1 ³ / ₄ "	7 ⁷ / ₈ "	1 ¹ / ₈ "	3 ³ / ₈ "	8"	4"	2 ⁵ / ₈ "	2 ¹ / ₂ "-8	17.00	00STBR175
2"	8 ⁷ / ₈ "	1 ¹ / ₄ "	3 ⁵ / ₈ "	9 ¹ / ₄ "	4 ⁵ / ₈ "	3"	2 ¹ / ₂ "-8	22.00	00STBR200
2 ¹ / ₄ "	8 ⁷ / ₈ "	1 ¹ / ₄ "	3 ⁵ / ₈ "	9 ¹ / ₄ "	4 ⁵ / ₈ "	3 ¹ / ₈ "	2 ¹ / ₂ "-8	22.00	00STBR225
2 ¹ / ₂ "	11"	1 ⁵ / ₈ "	4 ¹ / ₁₆ "	11 ¹ / ₂ "	5 ³ / ₄ "	3 ³ / ₈ "	3"-8	31.50	00STBR250
2 ³ / ₄ "	11"	1 ⁵ / ₈ "	4"	11 ¹ / ₂ "	5 ³ / ₄ "	3 ³ / ₈ "	3"-8	31.50	00STBR275
3"	13"	2"	4 ⁷ / ₈ "	14"	7"	3 ³ / ₄ "	n/a	57.50	00STBR300

Sailboat Shaft Logs



Features:

- come bored (shaft bearings and flange holes can be installed upon request) to accept a shaft bearing
- come complete with two setscrews

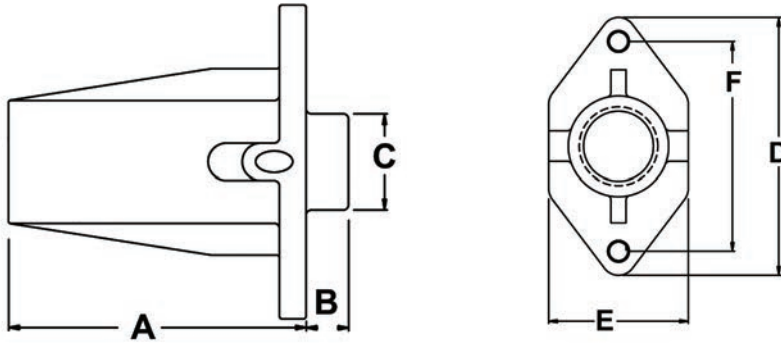
Bore Size	Hose I.D.	Length Below Flange	Length Above Flange	Flange Dimension	Weight lbs.	Bronze Part #
1 ¹ / ₂ "	1 ³ / ₄ "	9"	2"	2 ¹ / ₂ " x 4"	5.00	10SLC100L
1 ¹ / ₂ "	2"	4 ⁵ / ₈ "	1 ¹ / ₂ "	2 ⁷ / ₈ " x 5"	3.75	10SLW1002

Albin Stern Bearing Housings

Oval Flange

Feature:

- all Albin stern castings come complete with a shaft bearing and two setscrews installed



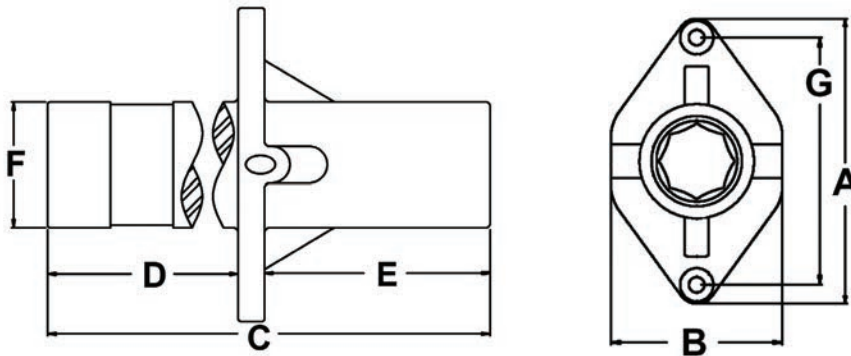
Shaft Size	Bore Size	Dimensions						Bolt Hole Size	Weight lbs.	Bronze Part #
		A	B	C	D	E	F			
1½"	2⅝"	4½"	1"	2¼"	7⅜"	3⅝"	6"	½"	15.00	M24034

Note: 1¼" shaft size is available upon request

Oval Flange with Tube

Feature:

- all Albin stern castings come complete with a shaft bearing and two setscrews installed



Shaft Size	Bore Size	Dimensions							Bolt Hole Size	Weight lbs.	Bronze Part #
		A	B	C	D	E	F	G			
1¾"	2⅝"	7½"	4½"	9"	4¾"	3⅝"	3"	6½"	½"	11.00	M24115
1¾"	2⅝"	7½"	4½"	18¾"	14"	3⅝"	3"	6½"	½"	17.30	M24127
1¾"	2⅝"	7½"	4½"	25¼"	21"	3⅝"	3"	6½"	½"	26.00	M24131

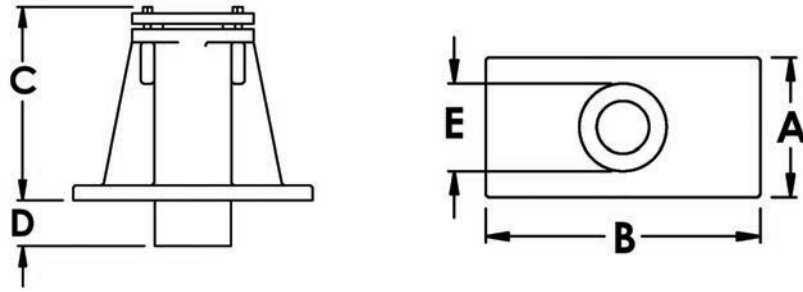
Note: 2" shaft size is available upon request

TOURNAMENT Rectangular Flange
MARINE PRODUCTS

Feature:

- comes complete with a packing gland and two nuts for each stud

Drivetrain



Shaft Size	Packing Size	Dimensions					Weight lbs.	Bronze Part #
		A	B	C	D	E		
1½"	¼"	4"	8"	6 ¹ / ₁₆ "	1 ⁵ / ₈ "	2 ⁷ / ₁₆ "	14.00	10224
1¾"	⅜"	4 ⁵ / ₈ "	9¼"	7 ¹ / ₁₆ "	1 ⁷ / ₈ "	3 ³ / ₈ "	18.70	10228
2"	⅜"	5¼"	10½"	7 ¹³ / ₁₆ "	2 ¹ / ₈ "	3 ⁵ / ₁₆ "	23.90	10232
2¼"	½"	6"	12"	8¾"	2 ⁷ / ₁₆ "	3 ⁵ / ₁₆ "	34.10	10236

Replacement Packing Glands

Feature:

- packing glands stud holes can be drilled upon request
- box studs come with two nuts per stud



packing glands



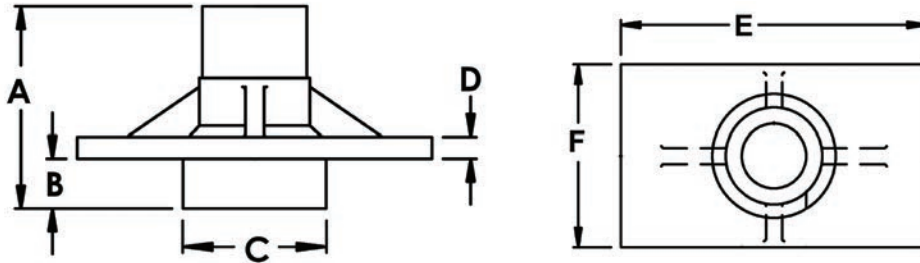
packing box studs

Used with Part #	Packing Glands Part #	Packing Box Studs Part #
10220	10220G	STUDS
10222	10222G	
10224	10224G	
10228	10228G	
10232	10232G	STUDS62
10236	10236G	
10240	10240G	

Stem Tube Packing Boxes

Features:

- all stem tube packing boxes are internally threaded
- come complete with lock nut and packing spud



Shaft Size	Bore Size	Dimensions						Bolt Hole Size	Weight lbs.	Bronze Part #
		A	B	C	D	E	F			
1 1/4"	1/4"	4 5/8"	1 9/16"	2 1/2"	5/16"	5 3/8"	3 1/2"	1 1/2" - 11 1/2"	5.75	00STPB125
1 3/8"	5/16"	4 5/8"	1 9/16"	2 1/2"	5/16"	5 3/8"	3 1/2"	1 1/2" - 11 1/2"	5.60	00STPB138
1 1/2"	1/4"	4"	1"	2 7/8"	1/2"	7 1/8"	4 1/4"	2" - 11 1/2"	7.60	00STPB150
1 3/4"	1/2"	5 1/2"	1"	3 3/8"	1/2"	8 1/2"	5 1/4"	2 1/2" - 8"	15.75	00STPB175
2"	3/8"	5 1/2"	1"	3 3/8"	1/2"	8 1/2"	5 1/4"	2 1/2" - 8"	14.10	00STPB200
2 1/4"	7/16"	5 3/4"	1"	3 3/8"	5/8"	8 1/2"	5 1/4"	2 1/2" - 8"	18.85	00STPB225
2 1/2"	5/16"	5 15/16"	1"	4 1/16"	5/8"	8 1/2"	5 1/4"	3" - 8"	18.00	00STPB250

Replacement Parts

Used with Part #	Packing Spuds Part #	Lock Nuts Part #
00STPB125	00125PBS	00125PBN
00STPB138	00125PBS38	00125PBN
00STPB150	00150PBS	00138PBN
00STPB175	00175PBS	00175PBN
00STPB200	00200PBS	00175PBN
00STPB225	00225PBS	00225PBN
00STPB250	00250PBS	00225PBN



Heavy Duty Self Aligning - Gland Type

Drivetrain



Features:

- complete with hose, four clamps, a packing gland and two nuts for each stud
- sold complete

Shaft Size	Hose I.D.	Overall Length	Packing Size	Weight lbs.	Bronze Part #
2"	3½"	14¾"	½"	22.00	00PB200GH
2¼"	3½"	14⅞"	⅜"	22.00	00PB225GH
2½"	3½"	14¾"	¼"	22.00	00PB250GH
2½"	4"	16¼"	¼"	25.00	00PB250GHN
2¾"	4"	17½"	½"	31.00	00PB275GH
3"	4"	17½"	⅜"	31.00	00PB300GH
3"	4½"	13"	⅜"	31.00	00PB300GH45

Replacement Packing Box Spuds

Features:

- complete with two nuts per stud
- sold in pairs

Used with Part #	Part #
00PB125G, 00PB138G, 00PB150G	STUDS37
00PB175G, 00PB200G, 00PB225G, 00PB250G	STUDS
00PB200GH, 00PB250GH, 00PB250GHN, 00PB225GH, 00PB275GH, 00PB300GH	STUDS62

Replacement Clamps



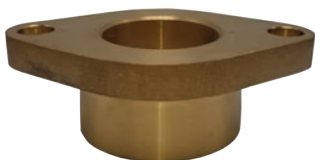
Used with Part #	Part #
00PB125G	70HSS44C
00PB138G & 00PB150G	70STBC325
00PB175G & 00PB200G	70STBC375
00PB225G, 00PB250G, 00PB200GH, 00PB225GH, 00PB250GH	70STBC425
00PB250GHN, 00PB275GH, 00PB300GH	70STBC475
00PB300GH45	70STBC525

Replacement Hoses



Used with Part #	Part #
00PB125G	80HO225
00PB138G & 00PB150G	80HO250
00PB175G & 00PB200G	80HO300
00PB225G, 00PB250G, 00PB200GH, 00PB250GH, 00PB225GH	80HO350
00PB250GHN, 00PB275GH, 00PB300GH	80HO400
00PB300GH45	80HO450

Replacement Glands¹



Used with Part #	Part #
00PB125G	00PB125GG
00PB138G	00PB138GG
00PB150G	00PB150GG
00PB175G	00PB175GG
00PB200G	00PB200GG
00PB225G	00PB225GG
00PB250G	00PB250GG
00PB200GH	00PB200GHG
00PB225GH	00PB225GHG
00PB250GH, 00PB250GHN	00PB250GHG
00PB275GH	00275PBGGH
00PB300GH, 00PB300GH45	00PB300GFG

¹ stud holes can be drilled upon request

Self Aligning - Gland Type

Features:

- complete with hose, four clamps, a packing gland and two nuts for each stud
- sold complete

Shaft Size	Hose I.D.	Overall Length	Packing Size	Weight lbs.	Bronze Part #
1¼"	2"	7 ⁹ / ₁₆ "	3 ¹ / ₁₆ "	3.00	00PBS125G
1⅜"	2⅝"	8 ⁵ / ₁₆ "	1 ¹ / ₄ "	4.00	00PBS138G
1½"	2⅝"	8 ⁵ / ₁₆ "	5 ¹ / ₁₆ "	4.00	00PBS150G



Replacement Packing Glands

Feature:

- stud holes can be drilled upon

Used with Part #	Part #
00PBS125G	SIPB125GLD
00PBS138G	SIPB138GLD
00PBS150G	SIPB150GLD

Replacement Clamps

Used with Part #	Part #
00PBS125G	70STBC256
00PBS138G, 00PBS150G	70STBC312

Replacement Packing Box Studs

Features:

- complete with two nuts per stud
- sold in pairs

Used with Part #	Part #
00PBS125G, 00PBS138G, 00PBS150G	STUDS37

Replacement Hose

Used with Part #	Part #
00PBS125G	SIPB125HOS
00PBS138G, 00PBS150G	SIPB138HOS



Studs

Features:

- complete with two nuts per stud
- sold in pairs

Thread Size	Overall Length	Weight lbs.	Part #
3⁄8"-16	3"	0.20	STUDS37
1⁄2"-13	3½"	0.35	STUDS
5⁄8"-11	5"	0.80	STUDS62





TOURNAMENT MARINE PRODUCTS Self Aligning - Gland Type

Features:

- complete with hose, four clamps, a packing gland and two nuts for each stud
- sold complete

Shaft Size	Hose I.D.	Overall Length	Packing Size	Weight lbs.	Bronze Part #
1 3/4"	3 1/2"	11 5/8"	3/8"	8.80	1553
2"	3 1/2"	11 5/8"	1/4"	8.80	1554

Replacement Packing Glands

Feature:

- stud holes can be drilled upon

Used with Part #	Part #
1553	1553G
1554	1554G

Replacement Clamps

Used with Part #	Part #
1553, 1554	70STBC425

Replacement Packing Box Studs

Features:

- complete with two nuts per stud
- sold in pairs

Used with Part #	Part #
1553, 1554	STUDS

Replacement Hose

Used with Part #	Part #
1553, 1554	80HO350

Self Aligning - Gland Type



Features:

- complete with hose, four clamps, a packing gland and two nuts for each stud
- sold complete

Shaft Size	Hose I.D.	Overall Length	Packing Size	Weight lbs.	Bronze Part #
1 1/4"	2 1/4"	8 7/8"	1/4"	4.00	00PB125G
1 3/8"	2 1/2"	9 3/8"	3/8"	4.00	00PB138G
1 1/2"	2 1/2"	9 3/8"	1/4"	4.00	00PB150G
1 3/4"	3"	11 3/8"	3/8"	8.50	00PB175G
2"	3"	11 3/8"	1/4"	8.50	00PB200G
2 1/4"	3 1/2"	11 1/2"	3/8"	11.00	00PB225G
2 1/2"	3 1/2"	11 1/2"	1/4"	11.00	00PB250G

TOURNAMENT Water Cooled - Self Aligning - Spud Type
MARINE PRODUCTS

Features:

- complete with hose, four clamps, hose adapter, packing nut and lock nut
- sold complete

Shaft Size	Hose I.D.	Water Injection	Overall Length	Packing Size	Weight lbs.	Bronze Part #
1 3/8"	2 1/4"	1/2"	9 1/2"	7/16"	15.50	8413225
1 3/8"	2 1/2"	1/2"	10"	7/16"	15.75	8413250
1 3/8"	3"	1/2"	10 1/2"	7/16"	16.00	8413300
1 1/2"	2 1/4"	1/2"	9 1/2"	3/8"	15.25	8415225
1 1/2"	2 1/2"	1/2"	10"	3/8"	15.50	8415250
1 1/2"	3"	1/2"	10 1/2"	3/8"	15.75	8415300
1 3/4"	3"	1/2"	11 7/16"	1/2"	15.50	8417300
1 3/4"	3 1/2"	1/2"	11 7/16"	1/2"	27.00	8417350
2"	3"	1/2"	11 3/8"	3/8"	15.25	8420300
2"	3 1/2"	1/2"	11 7/16"	3/8"	26.50	8420350
2 1/4"	4"	1/2"	13 5/8"	7/16"	30.00	8422400
2 1/2"	4"	1/2"	13 5/8"	5/16"	28.00	8425400



8415250

Replacement Packing Spuds

Used with Part #	Part #
8413225, 8413250, 8413300	82138S
8415225, 8415250, 8415300	82150S
8417300, 8417350	82175S
8420300, 8420350	82200S
8422400	8422400S
8425400	842250S



Replacement Lock Nuts

Used with Part #	Part #
8413225, 8413250, 8413300, 8415225, 8415250, 8415300	82138N
8417300, 8417350, 8420300, 8420350	00175PBN
8422400, 8425400	00225PBN
8430450	00300PBN



Replacement Clamps

Used with Part #	Part #
8413225, 8415225	70STBC300
8413250, 8415250	70STBC325
8413300, 8415300, 8417300, 8420300	70STBC375
8417350, 8420350	70STBC425
8422400, 8425400	70STBC475
8430450	70STBC532L



Replacement Hose Adapter

Used with Part #	Part #
all of the above	00BN43



Replacement Hoses

Used with Part #	Part #
8413225, 8415225	80HO225
8413250, 8415250	80HO250
8413300, 8415300, 8417300, 8420300	80HO300
8417350, 8420350	80HO350
8422400, 8425400	80HO400
8430450	80HO450



Self Aligning - Spud Type - Right Hand Thread

Replacement Hoses

Drivetrain



Used with Part #	Part #
00PB75, 00PB100X	80HO150
00PB88, 00PB100, 00PB113, 00PB125175, 00PB113LH	80HO175
00PB100FG, 00PB113FG, 00PB125FG	80HO200
00PB100225, 00PB113H, 00PB125, 00PB15225, 00PB125LH	80HO225
00PB138, 00PB150, JPB175, 00PB150LH	80HO250
00PB175, 00PB200, 00PB175LH, 00PB200LH	80HO300
00PB175L, 00PB200L, 00PB225, 00PB250, 00PB225LH, 00PB250LH	80HO350
00PB300	80HO450

Replacement Lock Nuts



Used with Part #	Part #
00PB75, 00PB88, 00PB100X, 00PB100, 00PB100FG, 00PB100225, 00PB113, 00PB113FG, 00PB113H	00100PBN
00PB125175, 00PB125FG & 00PB125	00125PBN
00PB138, 00PB15225 & 00PB150	00138PBN
JPB175	00175PBN OY
00PB175, 00PB175L, 00PB200 & 00PB200L	00175PBN
00PB225 & 00PB250	00225PBN
00PB300	00300PBN
00PB113LH	3059PBN
00PB125LH	00125PBNL
00PB150LH	00150PBNLH
00PB175LH & 00PB200LH	00175PBNLH
00PB225LH & 00PB250LH	00225PBNLH

Replacement Clamps



worm gear



T-Bolt

Used with Part #	Worm Gear Part #	T-Bolt Part #
00PB75 & 00PB100X	70HSS32	70STBC225
00PB88, 00PB100, 00PB113, 00PB125175, 00PB113LH	70HSS36	70STBC238
00PB100FG, 00PB113FG, 00PB125FG	70HSS40	70STBC275
00PB100225, 00PB113H, 00PB125, 00PB15225, 00PB125LH	70HSS44	70STBC300
00PB138, 00PB150, JPB175, 00PB150LH	70HSS48	70STBC325
00PB175, 00PB200, 00PB175LH, 00PB200LH	70HSS56	70STBC375
00PB175L, 00PB200L, 00PB225, 00PB250, 00PB225LH, 00PB250LH	70HSS72	70STBC425
00PB300	70HSS88	70STBC532L

Self Aligning - Spud Type - Right Hand Thread

Features:

- complete with hose, four stainless steel clamps, packing nut and lock nut
- sold complete

Shaft Size	Hose I.D.	Overall Length	Packing Size	Weight lbs.	Bronze Part #
3/4"	1 1/2"	6 1/8"	3/8"	1.75	00PB75
7/8"	1 3/4"	6 3/4"	5/16"	1.75	00PB88
1"	1 1/2"	6 1/8"	1/4"	1.75	00PB100X
1"	1 3/4"	6 3/8"	1/4"	1.75	00PB100
1"	2"	6 1/4"	1/4"	1.90	00PB100FG
1"	2 1/4"	6 5/8"	1/4"	2.30	00PB100225
1 1/8"	1 3/4"	6 9/32"	3/16"	1.75	00PB113
1 1/8"	2"	6 1/4"	3/16"	1.90	00PB113FG
1 1/8"	2 1/4"	7 5/32"	3/16"	2.80	00PB113H
1 1/4"	1 3/4"	7 13/32"	1/4"	2.75	00PB125175
1 1/4"	2"	2 21/32"	1/4"	2.30	00PB125FG
1 1/4"	2 1/4"	7 5/32"	1/4"	2.85	00PB125
1 3/8"	2 1/2"	7 5/8"	5/16"	3.35	00PB138
1 1/2"	2 1/4"	7 5/8"	1/4"	3.80	00PB15225
1 1/2"	2 1/2"	7 5/8"	1/4"	3.35	00PB150
1 3/4"	2 1/2"	7 3/4"	5/16"	5.70	JPB175
1 3/4"	3"	8 1/8"	1/2"	8.00	00PB175
1 3/4"	3 1/2"	8 1/8"	1/2"	9.00	00PB175L
2"	3"	8 1/8"	3/8"	8.00	00PB200
2"	3 1/2"	8 1/8"	3/8"	9.00	00PB200L
2 1/4"	3 1/2"	9 1/16"	7/16"	12.00	00PB225
2 1/4"	3 1/2"	9 1/16"	5/16"	12.00	00PB250
3"	4 1/2"	9 15/16"	9/16"	30.00	00PB300



Replacement Packing Spuds

Used with Part #	Part #
00PB75	0075PBS
00PB88	0088PBS
00PB100X, 00PB100, 00PB100FG, 00PB100225	00100PBS
00PB113, 00PB113FG & 00PB113H	00113PBS
00PB125175, 00PB125FG, & 00PB125	00125PBS
00PB138	00138PBS
00PB15225, 00PB150	00150PBS
JPB175	00175PBSOY
00PB175 & 00PB175L	00175PBS
00PB200, 00PB200L	00200PBS
00PB225	00225PBS
00PB250	00250PBS
00PB300	00300PBS



See next page for more replacement parts.

Thru Hull Style

Complete Assembly

Drivetrain



Features:

- complete with spud style packing boxes (packing boxes available separately on page 35) and lock
- sold complete

Shaft Size	Hose I.D.	Water Injection	Overall Length	Packing Size	Weight lbs.	Bronze Part #
1"	1/4"	2"	8 ³ / ₁₆ "	1 ³ / ₄ "	3.70	00SL100FG
1 ¹ / ₈ "	3/16"	2"	8 ³ / ₁₆ "	1 ³ / ₄ "	3.70	00SL113FG
1 ¹ / ₄ "	1/4"	2"	8 ¹⁵ / ₁₆ "	1 ³ / ₄ "	4.80	00SL125FG
1 ³ / ₈ "	5/16"	2 ¹ / ₂ "	10 ³ / ₈ "	2"	7.40	00SL138FG
1 ¹ / ₂ "	1/4"	2 ¹ / ₂ "	10 ³ / ₈ "	2"	7.40	00SL150FG
1 ³ / ₄ "	1/2"	3"	11 ¹ / ₄ "	2 ³ / ₈ "	18.00	00SL175FG
2"	3/8"	3"	11 ¹ / ₄ "	2 ³ / ₈ "	18.00	00SL200FG
2 ¹ / ₄ "	7/16"	3 ¹ / ₂ "	12 ¹ / ₄ "	2 ¹ / ₂ "	21.00	00SL225FG
2 ¹ / ₂ "	5/16"	3 ¹ / ₂ "	12 ¹ / ₄ "	2 ¹ / ₂ "	21.00	00SL250FG
2 ³ / ₄ "	1/2"	4"	15 ¹ / ₄ "	2 ⁹ / ₁₆ "	45.00	00SL275FG
3"	3/8"	4"	16"	2 ⁹ / ₁₆ "	45.00	00SL300FG

Log Only

Features:

- complete with lock nuts
- sold complete



Shaft Size	Hose I.D.	Threaded O.D.	Water Injection	Dimensions		Overall Length	Packing Size	Weight lbs.	Bronze Part #
				A	B				
1"	2"	2.181"	3/4"	1 ¹ / ₂ "	2"	3 ¹ / ₄ "	1 ³ / ₄ "	2.50	00SLL100FG
1 ¹ / ₈ "	2"	2.181"	3/4"	1 ¹ / ₂ "	2"	3 ¹ / ₄ "	1 ³ / ₄ "	2.50	00SLL113FG
1 ¹ / ₄ "	2"	2.181"	3/4"	1 ¹ / ₂ "	2"	3 ¹ / ₄ "	1 ³ / ₄ "	2.50	00SLL125FG
1 ³ / ₈ "	2 ¹ / ₂ "	3"	4"	2 ¹ / ₄ "	2 ³ / ₄ "	4 ³ / ₈ "	2"	5.00	00SLL138FG
1 ¹ / ₂ "	2 ¹ / ₂ "	3"	4"	2 ¹ / ₄ "	2 ³ / ₄ "	4 ³ / ₈ "	2"	5.00	00SLL150FG
1 ³ / ₄ "	3"	3.625"	4 ³ / ₄ "	3"	3"	5 ¹ / ₂ "	2 ³ / ₈ "	8.60	00SLL175FG
2"	3"	3.625"	4 ³ / ₄ "	3"	3"	5 ¹ / ₂ "	2 ³ / ₈ "	8.60	00SLL200FG
2 ¹ / ₄ "	3 ¹ / ₂ "	3.990"	5 ¹ / ₂ "	3"	3 ¹ / ₁₆ "	5 ¹ / ₂ "	2 ¹ / ₂ "	10.40	00SLL225FG
2 ¹ / ₂ "	3 ¹ / ₂ "	3.990"	5 ¹ / ₂ "	3"	3 ¹ / ₁₆ "	5 ¹ / ₂ "	2 ¹ / ₂ "	10.40	00SLL250FG
2 ³ / ₄ "	4"	4.459"	5 ³ / ₄ "	2 ¹ / ₂ "	3 ¹ / ₄ "	5 ¹ / ₄ "	2 ⁹ / ₁₆ "	13.00	00SLL275FG
3"	4"	4.459"	5 ³ / ₄ "	2 ¹ / ₂ "	3 ¹ / ₄ "	5 ¹ / ₄ "	2 ⁹ / ₁₆ "	13.00	00SLL300FG
3 ¹ / ₂ "	4 ¹ / ₂ "	4.878"	6"	2 ¹ / ₂ "	3 ⁵ / ₁₆ "	5 ¹ / ₄ "	2 ³ / ₄ "	17.00	00SLL450FG

Offset Style Complete Assembly

Features:

- complete with spud style packing box
- sold complete
- baseholes can be installed upon request

Shaft Size	Packing Size	Angle Degree	Overall Length	Base Width	Base Length	Hose I.D.	Weight lbs.	Bronze Part #
1"	¼"	15°	13½"	4⅞"	10¾"	1¾"	6.00	00SLO100
1"	¼"	14°	13½"	5½"	11½"	2"	7.00	00SLO100L4
1⅛"	⅜"	15°	13½"	4⅞"	10¾"	1¾"	6.00	00SLO113¹
1¼"	¼"	14°	21"	5½"	20¼"	2¼"	14.00	00SLO12514¹
1¼"	¼"	17°	15"	5½"	15"	2¼"	10.00	00SLO125LT¹
1¼"	¼"	14°	14"	5½"	11½"	2"	7.50	00SLO125L4
1⅜"	⅜"	12°	22"	7"	22⅜"	2½"	15.00	00SLO138
1½"	¼"	12°	22"	7"	22⅜"	2½"	15.00	00SLO150¹
1½"	¼"	14°	14½"	5½"	11½"	2¼"	8.50	00SLO150L4



¹ packing boxes available separately on page 35

Log Only

Feature:

- baseholes can be installed upon request

Shaft Size	Angle Degree	Base Width	Base Length	Hose I.D.	Weight lbs.	Bronze Part #
1"	15°	4⅞"	10¾"	1¾"	6.00	00SLOL100
1"	14°	5½"	11½"	2"	7.00	00SLOL10L4
1⅛"	15°	4⅞"	10¾"	1¾"	6.00	00SLOL113
1¼"	14°	5½"	20¼"	2¼"	14.00	00SLOL1254
1¼"	17°	5½"	15"	2¼"	10.00	00SLOL125L
1¼"	14°	5½"	11½"	2"	7.50	00SLOL12L4
1⅜"	12°	7"	22⅜"	2½"	15.00	00SLOL138
1½"	12°	7"	22⅜"	2½"	15.00	00SLOL150
1½"	14°	5½"	11½"	2¼"	8.50	00SLOL15L4



Angled Style

Complete Assembly

Drivetrain



Features:

- complete with spud style packing box
- baseholes can be installed upon request

Shaft Size	Packing Size	Angle Degree	Overall Length	Base Width	Base Length	Hose I.D.	Weight lbs.	Bronze Part #
1"	1/4"	12°	17"	3"	11"	1 1/2"	4.70	00SL100X
1"	1/4"	13°	19 1/2"	3 1/2"	12 1/2"	1 3/4"	7.00	00SL100
1 1/8"	3/16"	13°	19 1/2"	3 1/2"	12 1/2"	1 3/4"	7.00	00SL113 ¹
1 1/8"	3/16"	12°	21"	4 1/4"	14"	2 1/4"	10.30	00SL113H
1 1/4"	1/4"	12°	28"	4 1/2"	20 1/2"	2 1/4"	15.20	00SL125 ¹
1 3/8"	1/4"	12°	32"	5 1/4"	24"	2 1/2"	17.75	00SL138
1 3/8"	3/16"	8°	36"	5 1/4"	28 1/2"	2 1/2"	21.00	00SL138L
1 1/2"	1/4"	12°	32"	5 1/4"	24"	2 1/2"	17.75	00SL150 ¹
1 1/2"	1/4"	8°	36"	5 1/4"	28 1/2"	2 1/2"	21.00	00SL150L ¹
1 3/4"	1/2"	9°	41 1/2"	7"	32 1/2"	3"	31.50	00SL175 ¹
1 3/4"	1/2"	7°	55"	7 1/2"	46 1/4"	3 1/2"	48.00	00SL175L
2"	3/8"	9°	41 1/2"	7"	32 1/2"	3"	31.50	00SL200 ¹
2"	3/8"	7°	55"	7 1/2"	46 1/4"	3 1/2"	48.00	00SL200L
2 1/4"	7/16"	7°	56"	7 1/2"	46 1/4"	3 1/2"	51.00	00SL225 ¹
2 1/2"	5/16"	7°	56"	7 1/2"	46 1/4"	3 1/2"	51.00	00SL250 ¹

¹ packing boxes available separately on page 35

Log Only

Feature:

- baseholes can be installed upon request



Shaft Size	Angle Degree	Base Width	Base Length	Hose I.D.	Weight lbs.	Bronze Part #
1"	12°	3"	11"	1 1/2"	3.00	00SLL100X
1"	13°	3 1/2"	12 1/2"	1 3/4"	4.50	00SLL100
1 1/8"	12°	4 1/4"	14"	2 1/4"	7.60	00SLL113H
1 1/4"	12°	4 1/2"	20 1/2"	2 1/4"	9.50	00SLL125
1 3/8"	12°	5 1/4"	24"	2 1/2"	15.00	00SLL138
1 1/2"	12°	5 1/4"	24"	2 1/2"	15.00	00SLL150
1 1/2"	8°	5 1/4"	28 1/2"	2 1/2"	16.00	00SLL150L
1 1/2"	12°	5 1/4"	24"	3"	15.00	00SLL150300
1 3/4"	9°	7"	32 1/2"	3"	25.50	00SLL175
1 3/4"	7°	7 1/2"	46 1/4"	3 1/2"	39.00	00SLL175L
2"	9°	7"	32 1/2"	3"	25.50	00SLL200
2 1/4"	7°	7 1/2"	46 1/4"	3 1/2"	39.00	00SLL225
2 1/2"	7°	7 1/2"	46 1/4"	3 1/2"	39.00	00SLL250

Oval Base

Complete Assembly

Features:

- complete with spud style packing box
- sold complete
- baseholes can be installed upon request

Shaft Size	Packing Size	Overall Length	Base Width	Base Length	Hose I.D.	Weight lbs.	Bronze Part #
1"	1/4"	7 3/8"	3"	5 3/4"	1 3/4"	4.15	00SL100A
1 1/8"	3/16"	7 3/8"	3"	5 3/4"	1 3/4"	4.10	00SL113A ¹
1 1/4"	1/4"	8 1/2"	3"	6 1/2"	2 1/4"	5.20	00SL125A ¹

¹ packing boxes available separately on page 35



Log Only

Feature:

- baseholes can be installed upon request

Shaft Size	Base Width	Base Length	Hose I.D.	Weight lbs.	Bronze Part #
1"	3"	5 3/4"	1 3/4"	2.00	00SLL100A
1 1/8"	3"	5 3/4"	1 3/4"	2.00	00SLL113A
1 1/4"	3"	6 1/2"	2 1/4"	2.90	00SLL125A



Rectangular Base

Complete Assembly

Features:

- complete with spud style packing box
- sold complete
- baseholes can be installed upon request

Shaft Size	Packing Size	Overall Length	Base Width	Base Length	Hose I.D.	Weight lbs.	Bronze Part #
1 1/4"	1/4"	8 9/16"	4"	6"	2 1/4"	10.00	00SLR125 ¹
1 3/8"	3/16"	10"	4 1/2"	7"	2 1/2"	11.00	00SLR138
1 1/2"	1/4"	10"	4 1/2"	7"	2 1/2"	11.00	00SLR150 ¹
1 3/4"	1/2"	10 5/8"	6"	8 1/4"	3"	16.00	00SLR175 ¹
2"	3/8"	10 5/8"	6"	8 1/4"	3"	16.00	00SLR200 ¹
2 1/4"	7/16"	11 5/8"	6"	10"	3 1/2"	24.00	00SLR225 ¹
2 1/2"	5/16"	11 5/8"	6"	10"	3 1/2"	24.00	00SLR250 ¹

¹ packing boxes available separately on page 35



Log Only

Feature:

- baseholes can be installed upon request

Shaft Size	Base Width	Base Length	Hose I.D.	Weight lbs.	Bronze Part #
1 1/4"	4"	6"	2 1/4"	10.00	00SLRL125
1 3/8"	4 1/2"	7"	2 1/2"	11.00	00SLRL138
1 1/2"	4 1/2"	7"	2 1/2"	11.00	00SLRL150
1 3/4"	6"	8 1/4"	3"	16.00	00SLRL175
2"	6"	8 1/4"	3"	16.00	00SLRL200
2 1/4"	6"	10"	3 1/2"	24.00	00SLRL225
2 1/2"	6"	10"	3 1/2"	24.00	00SLRL250



Square Base

Complete Assembly

Drivetrain



Features:

- complete with packing box (packing boxes available separately on page ??) and backing plate
- sold complete

Shaft Size	Packing Size	Base Size	Overall Length	Hose I.D.	Base Hole C to C	Base Hole Size C.S.	Weight lbs.	Bronze Part #
1¼"	3/16"	3 1/16" sq.	9¾"	2"	2 3/8"	¼"	5.00	00SLS125G
1 3/8"	¼"	4 5/8" sq.	10"	2 5/8"	3 1/8"	½"	9.00	00SLS138G
1½"	5/16"	4 5/8" sq.	10"	2 5/8"	3 1/8"	½"	9.00	00SLS150G

Log Only



Features:

- complete with backing plate
- sold complete

Shaft Size	Base Size	Hose I.D.	Base Hole C to C	Base Hole Size C.S.	Weight lbs.	Bronze Part #
1¼"	3 1/16" sq.	2"	2 3/8"	¼"	2.00	00SLLR125G
1 3/8"	4 5/8" sq.	2 5/8"	3 1/8"	½"	5.00	00SLLR138G
1½"	4 5/8" sq.	2 5/8"	3 1/8"	½"	5.00	00SLLR150G

Triangular Base



Features:

- complete with backing plate
- sold complete

Shaft Size	Hose I.D.	Bolt Hole Circle	Weight lbs.	Bronze Part #
1¼"	2¼"	3¾"	2.70	13009
1 3/8"	2½"	3¾"	2.30	13012
1½"	3"	5"	3.35	13673

Ski Boat Fins



10SKI1



10SKI2

Overall Height	Base Width	Base Length	C.S. Screw Size	Weight lbs.	Bronze Part #
6 7/8"	3½"	6 3/8"	3/8"	4.85	10SKI1
6 1/8"	2 5/8"	6 1/8"	#12	4.50	10SKI2

Flax Packing

Features:

- braided flax fiber that has been thoroughly lubricated with tallow and wax
- square braid construction
- sold in 1 lb. rolls

Packing Size	Feet per Roll	Weight lbs.	Bronze Part #
1/8"	100'	1.00	FLAX125LB
3/16"	50'	1.00	FLAX1875LB
1/4"	28'	1.00	FLAX250LB
5/16"	18'	1.00	FLAX3125LB
3/8"	7'	1.00	FLAX375LB
7/16"	7'	1.00	FLAX4375LB
1/2"	7'	1.00	FLAX500LB
5/8"	4'	1.00	FLAX625LB



Dripless Moldable Packing

Feature:

- sold as a kit

Shaft Size	Weight lbs.	Bronze Part #
up to 1 1/4"	0.25	SEAL150
up to 3"	0.40	SEAL300

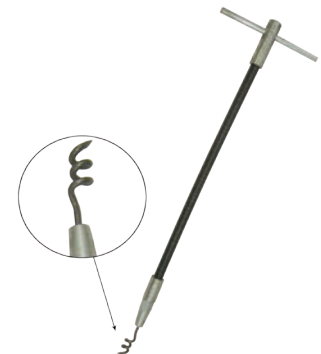


Packing Extractors

Feature:

- flexible handle, t-grip and cork screw tip

Overall Length	Weight lbs.	Bronze Part #
6 1/4"	0.05	PE625
7 1/4"	0.10	PE725
12"	0.20	PE1200
15"	0.50	PE1550



Wrenches

Feature:

- designed specifically for Hydrasearch packing boxes

Opening Size	Overall Length	Weight lbs.	Zinc Plated Iron Part #
2"	9"	1.30	3BPBW100
2 5/16"	9 1/4"	1.50	3BPBW125
2 9/16"	9 1/2"	1.50	3BPBW150
3 1/4"	10 1/2"	2.00	3BPBW200
3 13/16"	15 1/2"	2.80	3BPBW250

