

Deck Hardware 4 to 16

Mooring bitts	4	Locking latches.....	8
Skene chocks.....	4	Step covers.....	9
Stern lifting handles.....	4	Fly bridge ladder steps.....	9
Open base cleats	5	Boarding steps.....	9
316 stainless steel.....	5	Engine air intake caps.....	9
Light type	5	Boarding ladder hardware sets.....	10
Extra light type.....	5	Bow eyes	10
Stud cleats	6	Ladder brackets	10
Euro stud cleats.....	6	Hawse pipes	11
Heavy duty stud cleats	6	Mating.....	11
Weld-on cleats.....	6	Cleat.....	12
Tapped cleats.....	6	Triangular	12
Round base	6	Backing plates.....	12
Oval base	6	Deck plates	13
Hatch lifts	7	Deck plate caps.....	13
Wood rail.....	7	Deck plate keys.....	13
Hinges	7	Pipe deck plates.....	14
Locks.....	7	Cockpit scuppers	15
Rail fittings	7	Bronze with hose end.....	15
Transom door.....	8	316 Stainless steel with hose end.....	15
Hinges	8	316 Stainless steel top.....	15
Latches.....	8	Scupper plate.....	16
		Oval rope deck plates	16



In order to ensure proper function of products, it is strongly recommended that each part is inspected and serviced monthly. Inspection should include, but not be limited to, visible damage, excessive wear, and proper bonding. Failure to properly maintain your product may result in catastrophic failure and/or loss of life.

Mooring Bitts

Deck Hardware



- Feature:**
- polished finish

Base Size	Overall Height	Basehole C to C	Pin Length	Screw Size	Weight lbs.	316 Stainless Steel Part #
4½" x 4½"	3½"	3½" x 3½"	4½"	¾"	2.05	70MB4x4
5" x 5"	4⅝"	3¾" x 3¾"	7"	¾"	3.85	70MB5x5
6" x 6"	6"	4¾" x 4¾"	8"	¾"	4.45	70MB6x6
7" x 7"	6½"	5⅜" x 5⅜"	9"	½"	8.7	70MB7x7

Skene Chocks

- Features:**
- bronze is cast finish
 - 316 stainless steel is polished finish
 - sold in pairs

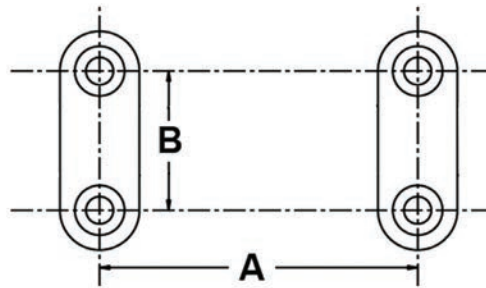


Overall Length	Overall Height	Base Width	Max Rope Size	Screw C to C	Weight lbs.	Bronze Part #
6"	1⅞"	1⅝"	1"	4⅝"	2.20	00BC600S

Overall Length	Overall Height	Base Width	Max Rope Size	Screw C to C	Screw Size	Weight lbs.	316 Stainless Steel Part #
4½"	1⅛"	¾"	¾"	3¾"	#8	0.70	70BCS400S
6"	1⅞"	1⅞"	1"	4¾"	¼"	1.50	70BCS600S
8"	1⅞"	1⅞"	1¼"	6⅞"	¼"	2.50	70BCS800S
9"	2¼"	1¾"	1½"	7½"	⅜"	5.75	70BCS900S

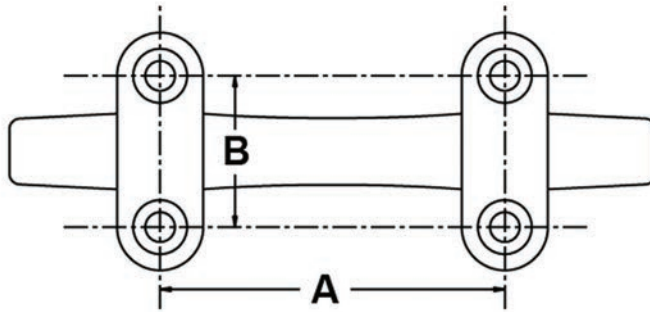
Stern Lifting Handles

- Feature:**
- polished finish



Overall Length	Overall Height	Base Size W x L	Dimensions		C.S. Screw Size	Weight lbs.	316 Stainless Steel Part #
			A	B			
5¾"	1¾"	1" x 1¾"	4⅝"	1⅝"	#10	0.50	70SLH1

Open Base Cleats

**Feature:**

- bronze cast finish

Overall Length	Overall Height	Base Size W x L	Dimensions		Counter Sink Screw Size	Weight lbs.	Bronze Part #
			A	B			
6 ⁹ / ₁₆ "	1 ³ / ₈ "	5 ⁸ / ₈ " x 1 ⁵ / ₈ "	2 ¹¹ / ₁₆ "	1"	#10	0.55	00COB675
10"	2 ¹ / ₄ "	1" x 3"	3 ⁵ / ₁₆ "	2"	5 ⁵ / ₁₆ "	2.75	00COB1000

316 Stainless Steel**Feature:**

- polished finish

Overall Length	Overall Height	Base Size W x L	Dimensions		Counter Sink Screw Size	Weight lbs.	316 Stainless Steel Part #
			A	B			
10"	2 ⁷ / ₁₆ "	1" x 2 ⁷ / ₈ "	3 ³ / ₄ "	1 ⁷ / ₈ "	5 ⁵ / ₁₆ "	2.00	70COBS1000
12"	2 ⁷ / ₈ "	1 ¹ / ₄ " x 3 ¹ / ₂ "	4 ⁷ / ₈ "	2 ⁷ / ₁₆ "	5 ⁵ / ₁₆ "	4.00	70COBS1200
14 ⁷ / ₈ "	3 ¹⁵ / ₁₆ "	1 ³ / ₈ " x 4"	5"	2 ⁵ / ₈ "	1 ¹ / ₂ "	7.00	70COBS1500
14 ¹ / ₂ "	3"	1 ⁵ / ₈ " x 4 ¹ / ₈ "	6 ¹ / ₄ "	2 ⁵ / ₈ "	1 ¹ / ₂ "	6.20	70COBS15LP

Light Type**Feature:**

- polished finish

Overall Length	Overall Height	Base Size W x L	Dimensions		Counter Sink Screw Size	Weight lbs.	316 Stainless Steel Part #
			A	B			
6"	1 ¹ / ₄ "	1 ¹ / ₁₆ " x 1 ¹³ / ₁₆ "	2 ¹ / ₄ "	1"	1 ¹ / ₄ "	0.50	70COBS600L
10"	2 ¹ / ₈ "	1" x 2 ³ / ₄ "	3 ³ / ₄ "	1 ⁷ / ₈ "	5 ⁵ / ₁₆ "	1.75	70COBS100L
12"	2 ¹ / ₈ "	1" x 2 ³ / ₄ "	3 ³ / ₄ "	1 ⁷ / ₈ "	5 ⁵ / ₁₆ "	2.15	70COBS120L

Extra Light Type**Feature:**

- polished finish

Overall Length	Overall Height	Base Size W x L	Dimensions		Counter Sink Screw Size	Weight lbs.	316 Stainless Steel Part #
			A	B			
8"	1 ⁵ / ₈ "	3 ⁴ / ₄ " x 2 ¹ / ₁₆ "	2 ⁷ / ₈ "	1 ³ / ₈ "	1 ¹ / ₄ "	0.70	70COBS80XL
10"	2"	1" x 2 ⁷ / ₈ "	3 ⁵ / ₈ "	1 ⁷ / ₈ "	5 ⁵ / ₁₆ "	1.38	70COBS10XL

Stud Cleats

Deck Hardware

**Features:**

- polished finish
- includes stainless steel studs, nuts and washer

Overall Length	Overall Height	Base Size W x L	Stud Size C to C	Stud Size	Weight lbs.	316 Stainless Steel Part #
4"	1"	5/8" x 1 1/16"	2"	1/4" x 1 1/2"	0.25	70SC400
6"	1 1/4"	5/8" x 1 3/4"	2 1/4"	5/16" x 1 3/4"	0.60	70SC600
8"	1 1/2"	1 3/16" x 1 5/8"	2 3/4"	3/8" x 2"	0.85	70SC800

Euro

**Features:**

- polished finish
- includes stainless steel studs and nuts

Overall Length	Overall Height	Stud Size C to C	Stud Size	Weight lbs.	316 Stainless Steel Part #
6"	1 1/8"	2 1/4"	1/2" x 1 1/2"	0.60	70ESC600
8"	1 3/8"	2 7/8"	1/2" x 2 1/4"	1.30	70ESC800
10"	1 13/16"	3 5/8"	1/2" x 2 1/2"	2.25	70ESC1000
12"	2 1/2"	4 1/4"	5/8" x 2 1/2"	3.45	70ESC1200

Heavy Duty

**Features:**

- polished finish
- includes stainless steel studs, nuts and washer

Overall Length	Overall Height	Base Size W x L	Stud Size C to C	Stud Size	Weight lbs.	316 Stainless Steel Part #
8"	2"	1" x 2 5/8"	3 3/8"	3/8" x 3"	1.70	70SC800HD
10"	2 1/2"	1" x 2 5/16"	3 3/4"	1/2" x 1 3/4"	2.40	70SC1000HD

Weld-On

**Feature:**

- polished finish

Overall Length	Overall Height	Base Size C to C	Base Size W x L	Weight lbs.	316 Stainless Steel Part #
15"	3 3/8"	5 1/4"	1 5/16" x 3 7/8"	6.70	70COBS1500MOD

Tapped Cleats - Round Base

**Feature:**

- polished finish

Round Base Base

Overall Length	Overall Height	Max Rope Size	Tapped C to C	Threaded	Weight lbs.	316 Stainless Steel Part #
10"	2 3/8"	3/4"	4"	3/8" - 16	1.80	70COBSSTUD100
12"	2 7/8"	1"	4"	1/2" - 13	3.20	70COBSSTUD120T

Oval Base

**Feature:**

- polished finish

Overall Length	Overall Height	Base Size W x L	Tapped C to C	Threaded	Weight lbs.	316 Stainless Steel Part #
12"	2 7/8"	1 3/16" x 3 1/2"	4 7/8"	1/2" - 13	3.65	70COBSSTUD120FT

Hatch Lifts

Feature:

- polished finish

Plate Dimensions	Screw Size	Weight lbs.	316 Stainless Steel Part #
2¼" x 3"	#8	0.30	70HLS1
1½" x 1 ¹⁵ / ₁₆ "	#6	0.19	70HLS2

**70HLS1****70HLS2**

Rail Fittings

End**Feature:**

- polished finish

Overall Length	Overall Width	Overall Height	Height to Center	Tube Size	Weight lbs.	316 Stainless Steel Part #
2¾"	¹⁵ / ₁₆ "	2¾"	1¾"	1"	0.40	70RLES100X

**Center****Feature:**

- polished finish

Overall Length	Overall Width	Overall Height	Height to Center	Tube Size	Weight lbs.	316 Stainless Steel Part #
2¾"	¹⁵ / ₁₆ "	2¾"	1¾"	1"	0.35	70RLCS100X



Wood Rail

Hinges**Feature:**

- polished finish

Inside Dimensions	Overall Length	Screw Size CS	Weight lbs.	316 Stainless Steel Part #
1¼" x 2 ¹¹ / ₁₆ "	3 ⁵ / ₈ "	#10	1.50	70WRLHS1

**Locks****Feature:**

- polished finish

Inside Dimensions	Overall Length	Screw Size CS	Weight lbs.	316 Stainless Steel Part #
1⅞" x 2 ¹¹ / ₁₆ "	3 ⁵ / ₈ "	#10	1.50	70WRLLS1



Transom Door

Hinges

Deck Hardware



- Feature:**
- polished finish

Overall Length	Overall Width	Screw Size CS	Weight lbs.	316 Stainless Steel Part #
4"	6"	1/4"	1.00	70SSH4X6
5"	8"	1/4"	1.65	70SSH5X8

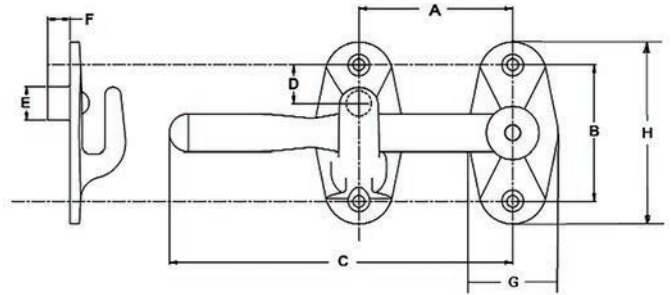
Latches



- Feature:**
- polished finish

Handle Length	Overall Height	Plate Size W x L	Dimensions				Screw Size	Weight lbs.	316 Stainless Steel Part #
			A	B	G	H			
6"	1 1/4"	1 1/2" x 3"	2 1/2"	2 1/4"	1 1/2"	3"	#10	0.75	70TDLS625

Locking Latches



- Feature:**
- polished finish

Dimensions								Screw Size	Weight lbs.	316 Stainless Steel Part #
A	B	C	D	E	F	G	H			
2 1/2"	2 1/4"	5 3/4"	5/8"	9/16"	3/8"	1 1/2"	3"	#10	0.75	70TDLS625SM
3"	2 3/8"	6 1/4"	7/8"	9/16"	3/8"	1 5/8"	3 1/8"	#10	1.20	70TDLS625LG

Step Covers

Feature:

- polished finish

Base Size W x L	Overall Height	Opening W x L	C.S. Screw Size	Weight lbs.	316 Stainless Steel Part #
3 ⁵ / ₈ " x 8 ³ / ₄ "	1 ¹ / ₁₆ "	2 ¹ / ₄ " x 7 ⁷ / ₁₆ "	#8	0.75	70GCSTEPSMALL
5 ⁵ / ₈ " x 11 ¹ / ₂ "	1"	4 ³ / ₈ " x 10 ¹ / ₄ "	#8	1.50	70GCSTEPLARGE
3 ¹⁷ / ₃₂ " x 8 ²¹ / ₃₂ "	3/4"	2 ³ / ₁₆ " x 7 ¹ / ₈ "	#8	0.75	70CCBSTEP

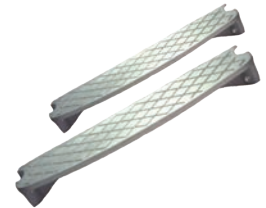


Fly Bridge Ladder Steps

Features:

- anodized aluminum
- satin finish

Base Size W x L	Tube Size	Tube Angle Degree	Screw Size	Weight lbs.	Aluminum Part #
3" x 17"	1"	11 ¹ / ₂ °	1/4"	2.30	26ST170100



Boarding Steps

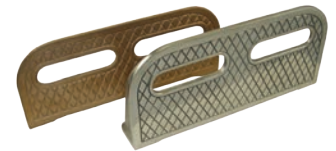
Features:

- bronze with cast finish
- stainless steel with polished finish

Base Size W x L	Mounting Surface	Hand Holes	Angle Degree	Weight lbs.	Bronze Part #	Stainless Steel Part #
4 ³ / ₈ " x 6"	1 ¹⁵ / ₁₆ " x 6"	1" x 4"	90°	2.25	00BS600	---
4 ³ / ₈ " x 6"	1 ⁷ / ₈ " x 6"	1" x 4"	90°	2.25	---	70BS600
4" x 7"	2 ¹ / ₄ " x 7"	1" x 4"	100°	2.30	00BS700	---
4 ⁵ / ₁₆ " x 10 ³ / ₄ "	4 ⁵ / ₁₆ " x 10 ³ / ₄ "	1" x 4"	90°	3.85	00BS1100	---
5" x 10 ³ / ₄ "	1 ⁷ / ₈ " x 10 ³ / ₄ "	1" x 4"	90°	5.10	---	70BS1100



00BS600 & 70BS600



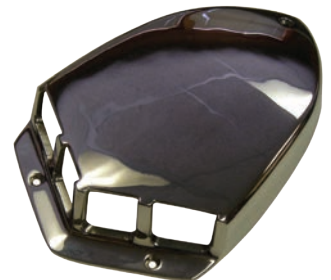
00BS1100 & 70BS1100

Engine Air Intake Caps

Feature:

- polished finish

Overall Length	Overall Height	Overall Width	C.S. Screw Size	Weight lbs.	316 Stainless Steel Part #
8 ³ / ₄ "	1 ¹ / ₂ "	5 ¹ / ₂ "	#6	1.80	70GCBEARCLAW



Boarding Ladder Hardware Sets

Deck Hardware

**Features:**

- sold in complete set
- polished finish

Screw Size	Weight lbs.	Bronze Part #	316 Stainless Steel Part #
#10	3.30	01BLH1	70BLH1

Replacement Parts

Features:

- sold in pairs
- polished finish



70BLB

Description	Screw Size	Weight lbs.	Bronze Part #	316 Stainless Steel Part #
bracket	#10	1.85	01BLB	70BLB
eye	#10	0.70	01BLE	70BLE
hinge	#10	0.75	01BLH	70BLH

Ladder Brackets

**Feature:**

- polished finish

Screw Size	Weight lbs.	316 Stainless Steel Part #
4"	3.30	70LB

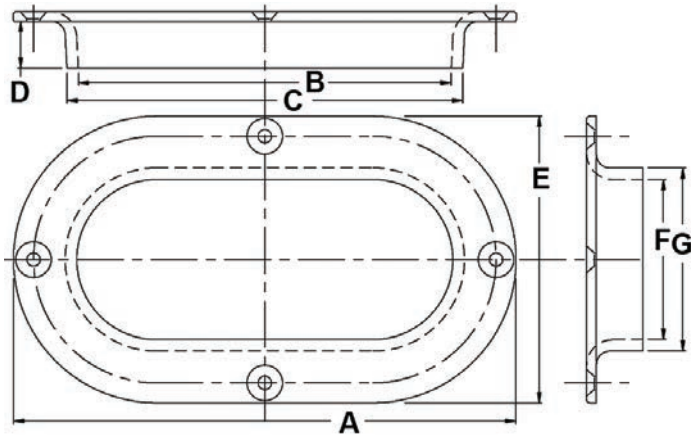
Bow Eyes



Shank Length	Shank Diameter	Eye Diameter	Weight lbs.	Cast Bronze ¹ Part #	Polished 316 Stainless Steel Part #
3"	3/8"	1"	0.30	00BE300	70BE300
4"	3/8"	1"	0.35	00BE400	70BE400
6"	3/8"	1"	0.45	00BE600	70BE600
6"	1/2"	1"	0.60	00BE6005	---

¹ the bronze bow eyes come with a shouldered stem

Hawse Pipes



Feature:

- cast finish

Dimensions							C.S. Screw Size	Weight lbs.	Bronze Part #
A	B	C	D	E	F	G			
6 $\frac{1}{4}$ "	3 $\frac{7}{8}$ "	4 $\frac{1}{4}$ "	$\frac{3}{4}$ "	3"	1 $\frac{7}{8}$ "	2 $\frac{1}{4}$ "	$\frac{1}{4}$ "	1.20	00HP1
7 $\frac{1}{16}$ "	4 $\frac{1}{2}$ "	5"	1 $\frac{7}{8}$ "	4 $\frac{1}{16}$ "	1 $\frac{1}{2}$ "	2"	$\frac{1}{4}$ "	2.90	00HP2
9 $\frac{3}{8}$ "	7"	7 $\frac{7}{16}$ "	$\frac{7}{8}$ "	5 $\frac{5}{16}$ "	2 $\frac{15}{16}$ "	3 $\frac{3}{8}$ "	$\frac{1}{4}$ "	2.40	00HP3



Feature:

- polished finish

Dimensions							C.S. Screw Size	Weight lbs.	316 Stainless Steel Part #
A	B	C	D	E	F	G			
6 $\frac{1}{16}$ "	3 $\frac{15}{16}$ "	4 $\frac{1}{4}$ "	1 $\frac{1}{8}$ "	3 $\frac{5}{16}$ "	1 $\frac{15}{16}$ "	2 $\frac{1}{4}$ "	#10	1.20	70HPS1
6 $\frac{15}{16}$ "	4 $\frac{1}{2}$ "	4 $\frac{7}{8}$ "	1 $\frac{7}{8}$ "	3 $\frac{15}{16}$ "	1 $\frac{1}{2}$ "	1 $\frac{7}{8}$ "	$\frac{1}{4}$ "	1.20	70HPS2
9 $\frac{3}{8}$ "	6 $\frac{15}{16}$ "	7 $\frac{7}{16}$ "	$\frac{7}{8}$ "	5 $\frac{3}{8}$ "	2 $\frac{7}{8}$ "	3 $\frac{3}{8}$ "	$\frac{1}{4}$ "	2.40	70HPS3



Mating Hawse Pipes

Features:

- sold as a set
- polished finish

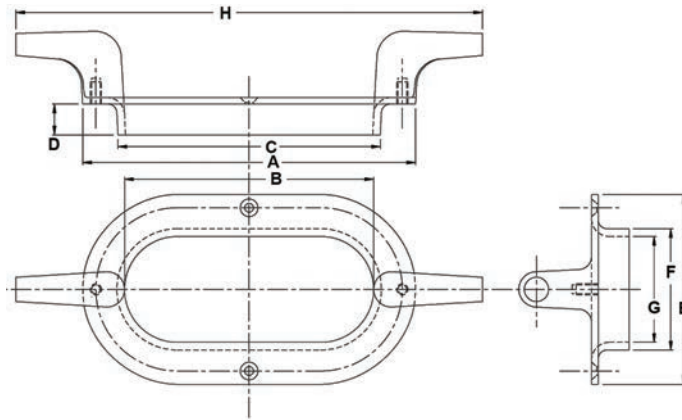
Outside Flange W x L	Hawse Opening W x L	Distance Between Flanges Min. to Max	C.S. Screw Size	Weight lbs.	316 Stainless Steel Part #
4" x 7"	1 $\frac{9}{16}$ " x 4 $\frac{9}{16}$ "	1 $\frac{1}{4}$ " to 2 $\frac{1}{2}$ "	#12	3.85	70HPS6
5 $\frac{3}{4}$ " x 9 $\frac{1}{2}$ "	3" x 6 $\frac{7}{8}$ "	1 $\frac{5}{8}$ " to 3 $\frac{1}{4}$ "	#12	7.75	70HPS7
6 $\frac{1}{2}$ " x 9 $\frac{1}{2}$ "	3 $\frac{3}{4}$ " x 6 $\frac{7}{8}$ "	1 $\frac{5}{8}$ " to 3 $\frac{1}{4}$ "	$\frac{5}{16}$ "	8.75	70HPS8



Deck Hardware



Cleat Hawse Pipes

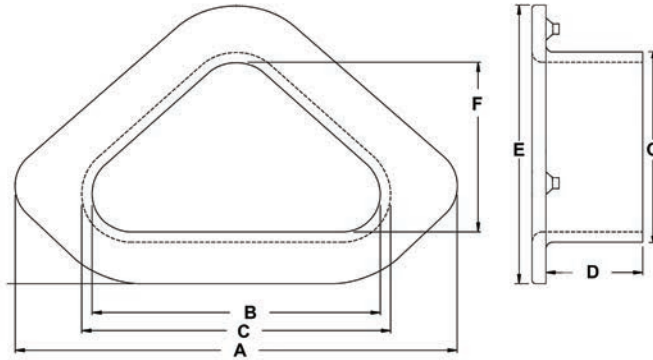


Feature:

- polished finish

Dimensions								C.S. Screw Size	Weight lbs.	316 Stainless Steel Part #
A	B	C	D	E	F	G	H			
9 1/4"	7 1/8"	7 1/2"	1 3/16"	5 1/4"	3 15/16"	2 15/16"	14"	1/4"	3.45	70HPS2

Triangular Hawse Pipes



Feature:

- polished finish

Dimensions							C.S. Screw Size	Weight lbs.	316 Stainless Steel Part #
A	B	C	D	E	F	G			
7 7/8"	5 1/4"	5 1/2"	1 1/4"	4 15/16"	3 1/16"	3 15/16"	1/4"	2.20	70HPTS3

Backing Plates



Dimensions							C.S. Screw Size	Weight lbs.	316 Stainless Steel Part #
A	B	C	D	E	F	G			
9 5/8"	7 1/4"	n/a	n/a	5 5/8"	3"	n/a	1/4"	1.6	70HPBP3

Deck Plates

Features:

- machined finish
- not an O-ring seal

Opening I.D.	Hub O.D.	Length Under Flange	Flange O.D.	C.S. Screw Size	Weight lbs.	Bronze Part #
4"	4 ³ / ₈ "	⁵ / ₈ "	5 ³ / ₄ "	#12	3.00	00DP400
5"	5 ³ / ₈ "	³ / ₄ "	7 ³ / ₈ "	#12	4.00	00DP500
6"	6 ¹ / ₂ "	³ / ₄ "	8 ¹ / ₈ "	#12	5.00	00DP600
8"	8 ¹ / ₄ "	1"	10 ¹ / ₄ "	#12	9.00	00DP800



Deck Plate Caps

Use with Part #'s	Part #
00DP400	00DP400C
00DP500	00DP500C
00DP600	00DP600C
00DP800	00DP800C



Deck Plate Keys

Use with Part #'s	Part #
00DP400	00DP400K
00DP500, 00DP600	00DP500K
00DP800	00DP800K



Pipe Deck Plates

Features:

- machined finish
- each pipe deck plate is furnished with a beaded chain, cap, O-ring and key
- Please specify one of the following marks to be stamped on the flange when ordering: Diesel, Fuel, Gas, Waste, Water. If you would like a flange without a stamp "No Mark" is available. Oil only available in stainless steel.



Pipe Size	Shank O.D.	Length Under Flange	Flange O.D.	C.S. Screw Size	Weight lbs.	Bronze Part #	316 Stainless Steel Part #
1¼"	1¾"	1 ⁵ / ₁₆ "	3 ¹ / ₈ "	#10	0.70	00PDP125	---
1½"	2 ¹ / ₈ "	1 ⁵ / ₁₆ "	3¾"	#10	1.10	00PDP150	70PDPS150
2"	2¾"	1½"	4 ⁵ / ₈ "	#10	2.30	00PDP200	70PDPS200

Replacement Parts



Use with Part #'s	Keys Part #	Caps Part #	O-rings Part #
00PDP125	00PDPK150	00PDPC125	ORING125
00PDP150	00PDPK150	00PDPC150	ORING150
00PDP200	00PDPK200	00PDPC200	ORING200
70PDPS125	00PDPK150	70PDPS125C	---
70PDPS150	00PDPK150	70PDPS150C	---
70PDPS200	00PDPK200	70PDPS200C	---

Cockpit Scuppers

Bronze Top with Hose End

Feature:

- cast finish

Strainer O.D.	Overall Height	Hose O.D.	C.S. Screw Size	Weight lbs.	Bronze Part #
4¼"	4⅛"	2⅜"	#8	3.00	00CPS438



316 Stainless Steel Top with Hose End

Feature:

- polished top and cast body finish

Strainer O.D.	Overall Height	Hose O.D.	C.S. Screw Size	Weight lbs.	316 Stainless Steel Part #
4¼"	4⅛"	2⅜"	#8	3.00	70CPS438
3¼"	2⅜"	1"	#8	1.00	00CPS325



316 Stainless Steel Top

Feature:

- polished top and cast body finish

Strainer O.D.	Overall Height	NPT Size	C.S. Screw Size	Weight lbs.	316 Stainless Steel Part #
3½"	1"	2"	#8	0.50	00CPS350



Replacement Tops

Feature:

- polished toph

Replacement for Part #	Top O.D.	Weight lbs.	316 Stainless Steel Part #
00CPS325	3¼"	0.10	70CPS325T
00CPS350	3½"	0.10	70LV350
70CPS438	4¼"	0.40	70CPS438T





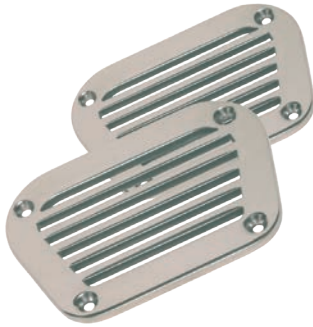
Oval Rope Deck Plates

Features:

- polished finish
- complete with spring loaded hinged top

Flange W x L	Pipe Opening	Hub W x L	Length Under Flange	C.S. Screw Size	Weight lbs.	316 Stainless Steel Part #
4" x 5½"	2 ⁷ / ₁₆ " x 3¾"	2¾" x 4¼"	¾"	#8	1.90	70ORDPS2

Scupper Plates


Feature:

- polished finish

Overall Width	Overall Length	Overall Height	C.S. Screw Size	Weight lbs.	316 Stainless Steel Part #
6 ⁵ / ₈ "	4 ⁵ / ₈ "	¼"	¼"	1.50	70SCUPPER